

design
make
play

SutcliffePlay

Waggon Lane
Upton Pontefract
West Yorkshire WF9 1JS
Telephone +44 (0) 1977 653200
Facsimile +44 (0) 1977 653222
info@sutcliffeplay.co.uk
www.sutcliffeplay.co.uk



Pentagon

Installation Instructions

PEN100

PEN100

Unit Installation Instructions

1. Check using the Parts List that none of the components are missing.
2. Plan the final position of the play equipment ensuring there is sufficient space.
3. Sort and identify parts before assembly.
4. Excavate the foundation holes in accordance with the plan. Ensuring Curved post holes are levelled and chocked in at the bottom of the holes.
5. Position 2 x 300mm long spragging irons into the holes provided in each post upright and stand in the foundation holes, following illustrations on pages 12-15. Do not tighten the fixing bolts until all the activities have been assembled.
6. Assemble the activities onto the posts as per the diagrams in this document. Leave fixing bolts loose until all the activities have been assembled. Ground fixed activities need 200mm spragging irons positioned through their holes.
7. Assemble the slide as per the diagrams in this document.
8. When all activities have been assembled, tighten all the fixings, attach nut covers where necessary, ensure the unit is level and the posts are vertical.
9. Fill the foundation holes to the required depth with concrete.
10. Do not allow the equipment to be used until the concrete has set (2 - 3 days) and the required safety surfacing has been installed.
11. Tighten all fixing bolts.
12. Follow the maintenance instructions supplied.

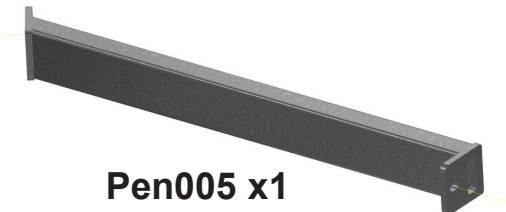
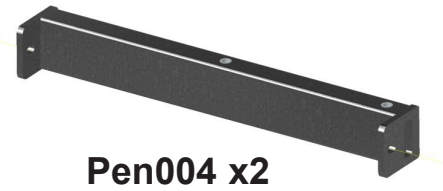
NB:

1. Slide runouts should be inclined downwards by approximately 2 degrees for drainage purposes.
2. During installation care must be taken to prevent hazards to children.
3. Extra care should be taken if conditions are abnormal.

PEN100

Unit
Parts List

design
make
play
SutcliffePlay



PEN100

Unit
Parts List

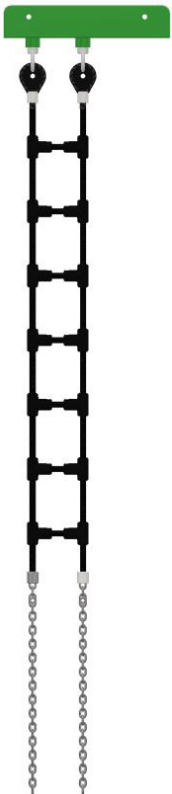
design
make
play
SutcliffePlay



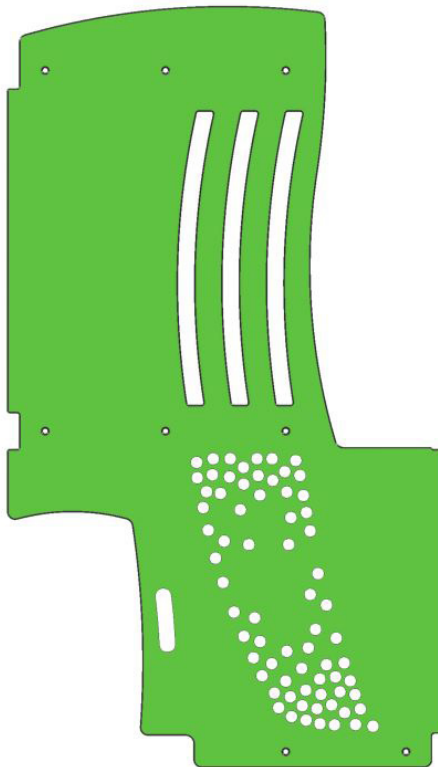
Pen008 x1



Pen009 x1



Pen013 x1



Pen014 x1

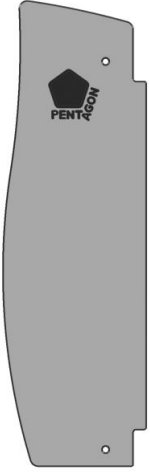


Pen010 x1

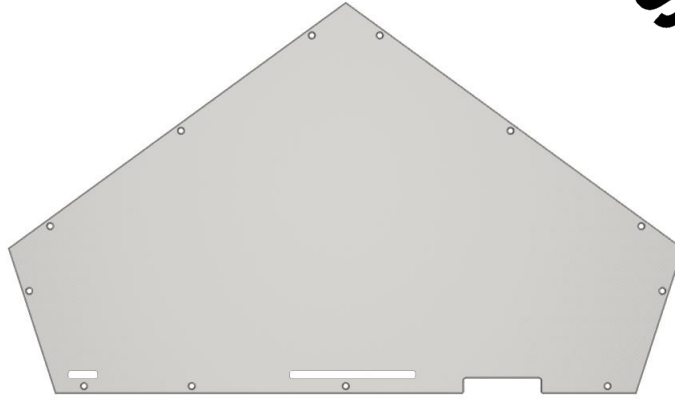
PEN100

Unit Parts List

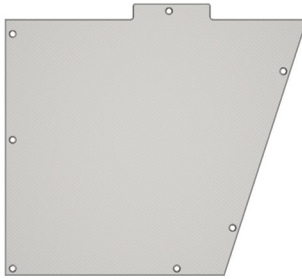
design
make
play
SutcliffePlay



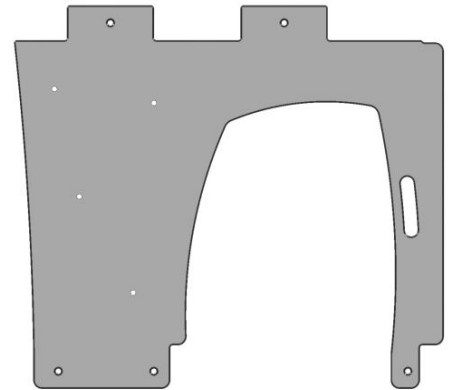
Pen015 x1



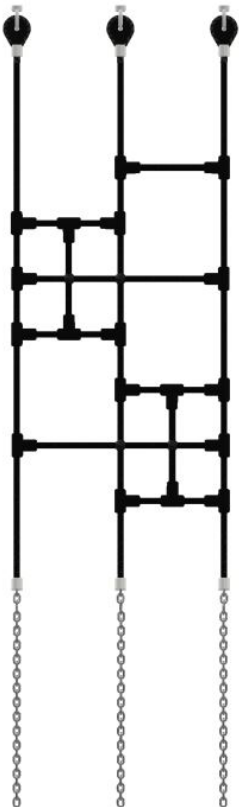
Pen017 x1



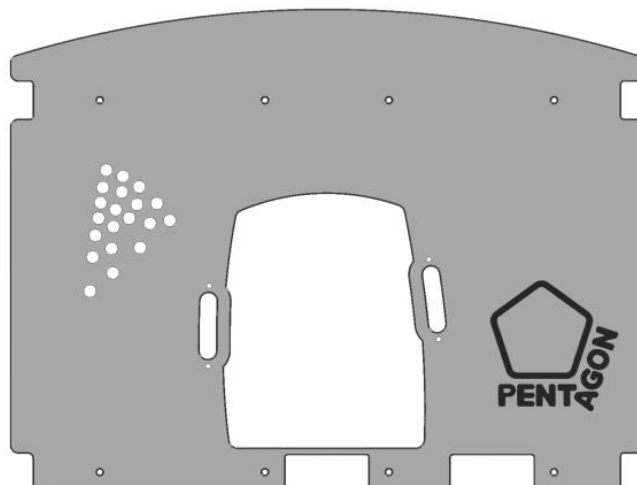
Pen018 x1



Pen019 x1



Pen016 x1



Pen020 x1



Pen021 x2

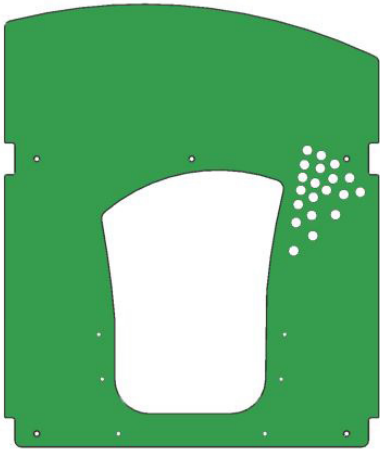


Pen022 x2

PEN100

Unit
Parts List

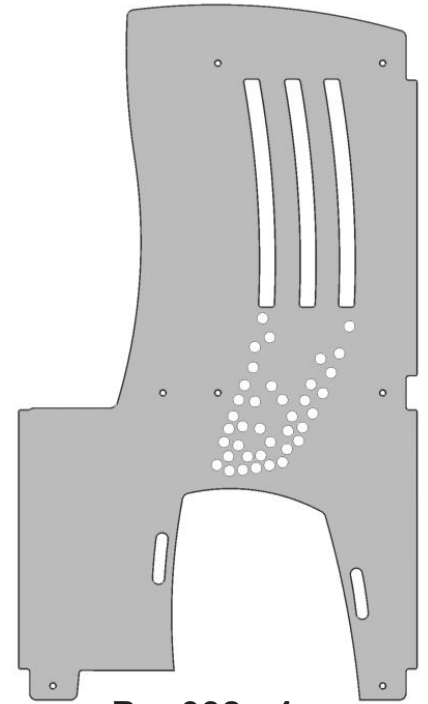
design
make
play
SutcliffePlay



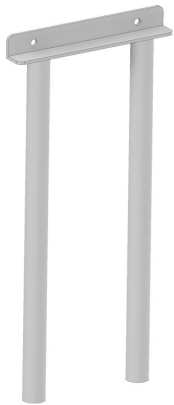
Pen023 x1



Pen026 x1



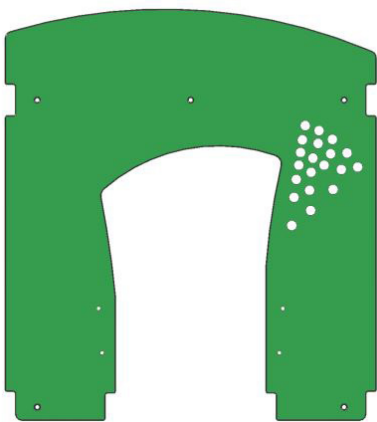
Pen038 x1



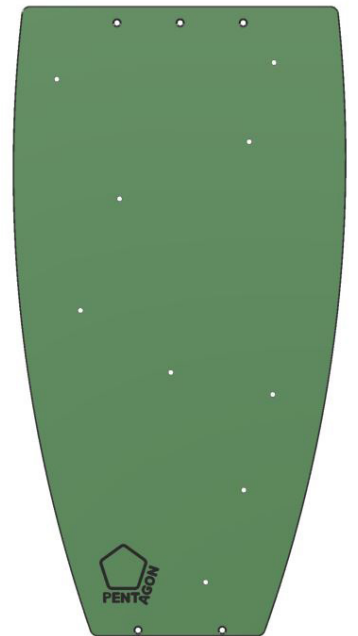
Pen029 x1



Pen024 x1



Pen031 x1



Pen027 x1

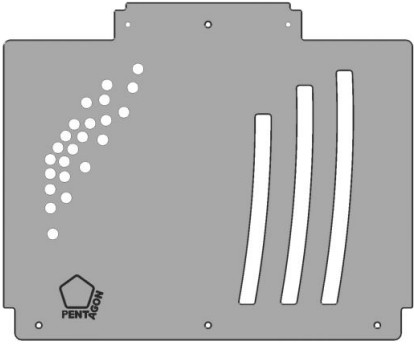


Pen028 x1

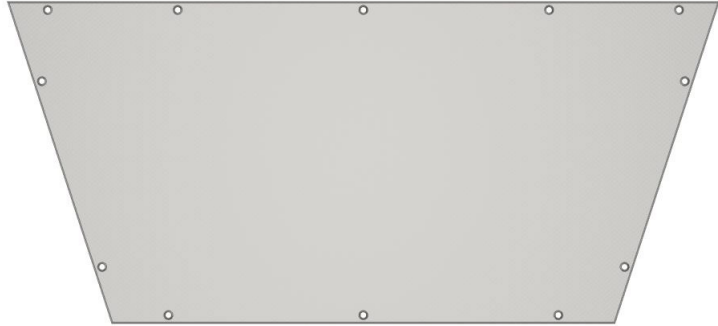
PEN100

Unit
Parts List

design
make
play
SutcliffePlay



Pen031 x1



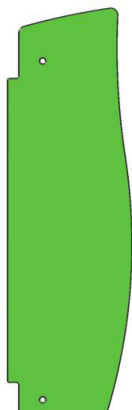
Pen034 x1



PZ.15813 x1



PZ.15825 x1

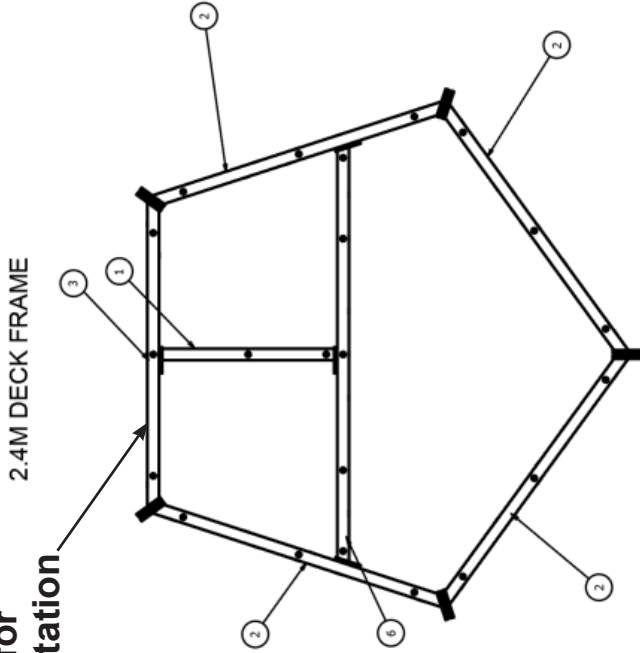


Pen039 x1

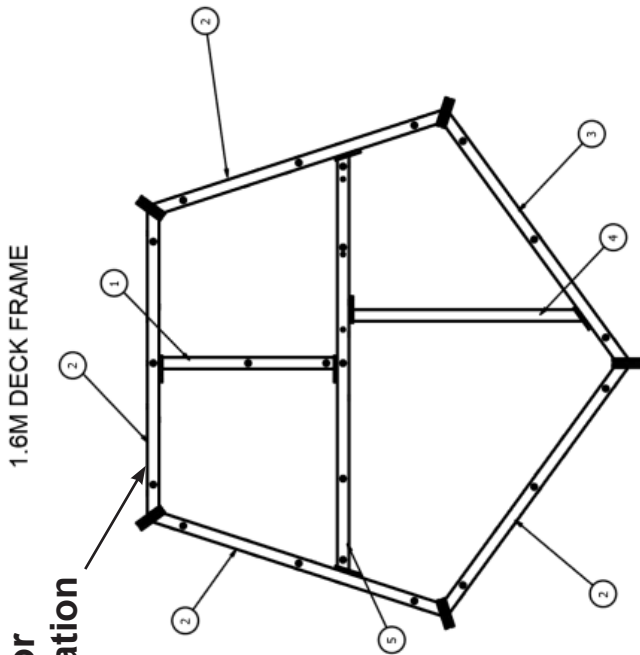
PEN100

Framework Configurations

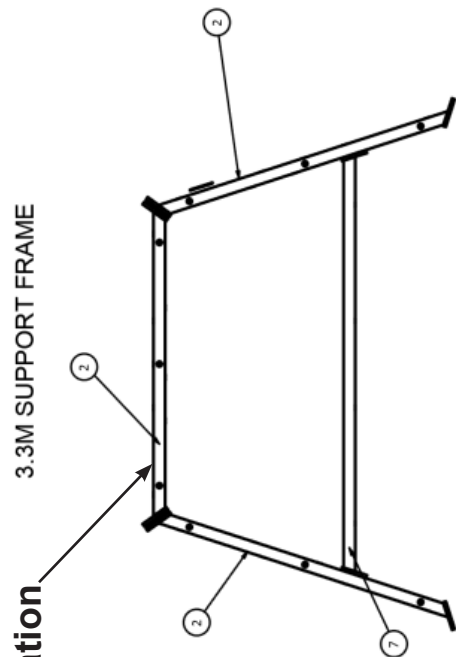
**Large Slide
side for
orientation**



**Large Slide
side for
orientation**



**Large Slide
side for
orientation**

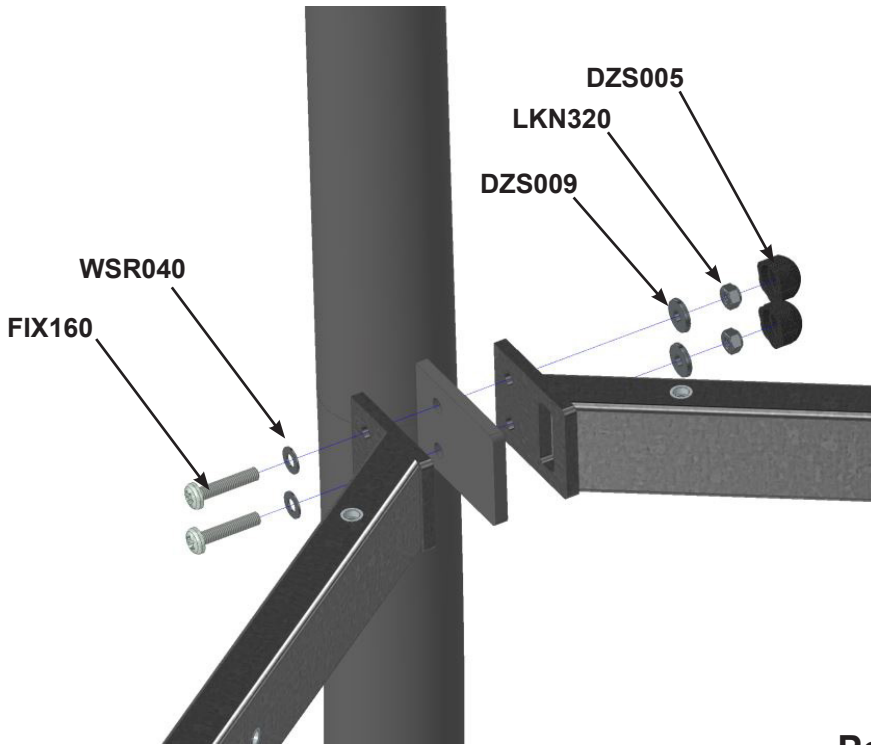


PARTS LIST			
ITEM	PART NUMBER	DESCRIPTION	QTY
1	PEN005	PENTAGON INNER FRAMEWORK 600mm	2
2	PEN002	PENTAGON OUTER FRAMEWORK STANDARD	11
3	PEN006	PENTAGON OUTER FRAMEWORK SLIDE	2
4	PEN004	PENTAGON INNER FRAMEWORK 800mm	1
5	PEN003	PENTAGON INNER FRAMEWORK 1432mm	1
6	PEN008	PENTAGON INNER FRAMEWORK 1432mm	1
7	PEN009	PENTAGON INNER FRAMEWORK 1432mm	1
TOTAL FRAMEWORK PCS			19

PEN100

Framework Fixings

Standard Post to Framework.

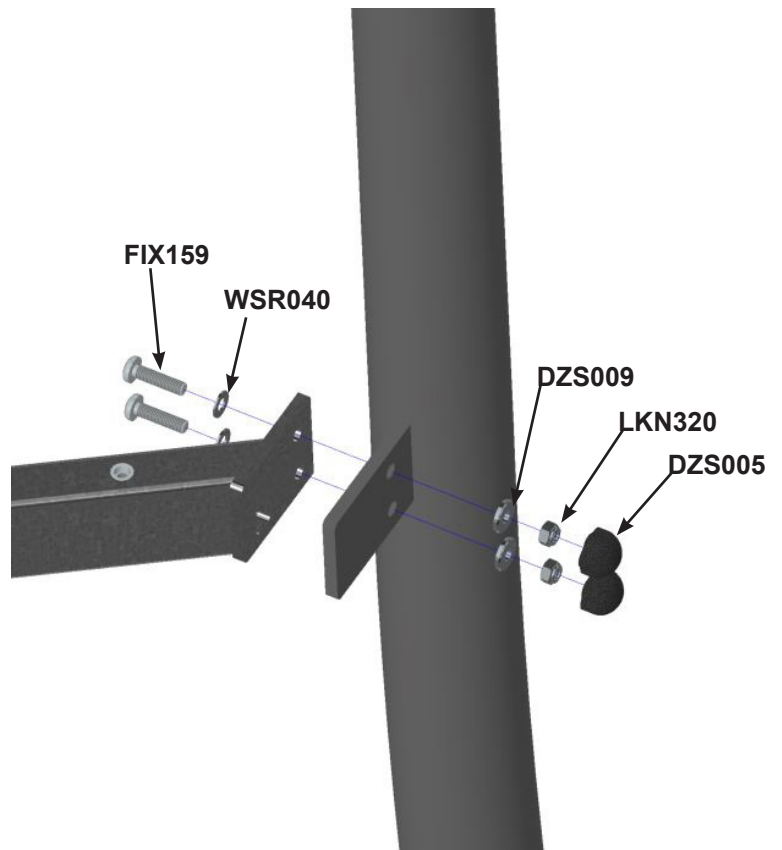


Ref	Description	Qty
DZS005	M10 Nut Cover	24
LKN320	M10 Nyloc Nut	24
DZS009	M10 Step Washer	24
WSR040	M10 Plain Washer	24
FIX160	M10 x 50 Security Bolt	24

Post to Framework Single Sided.

Ref	Description
DZS005	M10 Nut Cover
LKN320	M10 Nyloc Nut
DZS009	M10 Step Washer
WSR040	M10 Plain Washer
FIX159	M10 x 40 Security Bolt

Qty
2
2
2
2

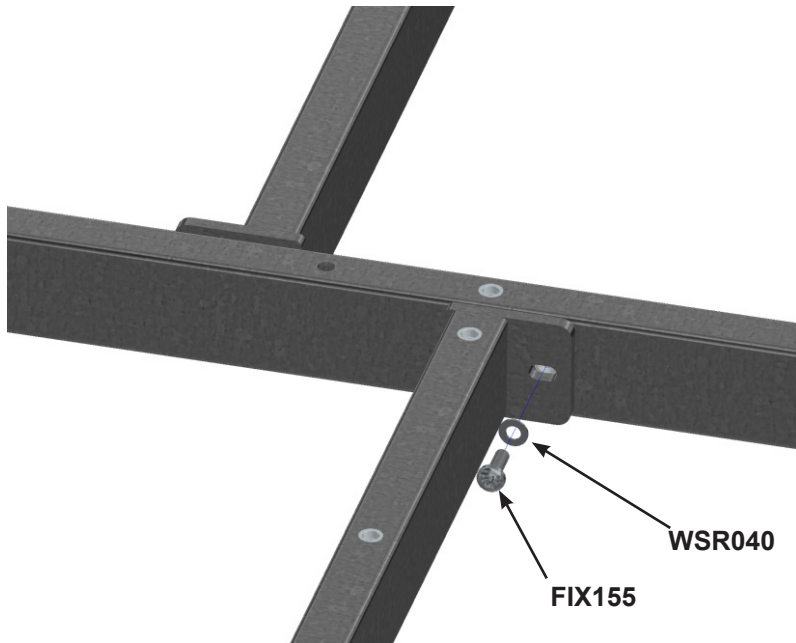


PEN100

Framework Fixings

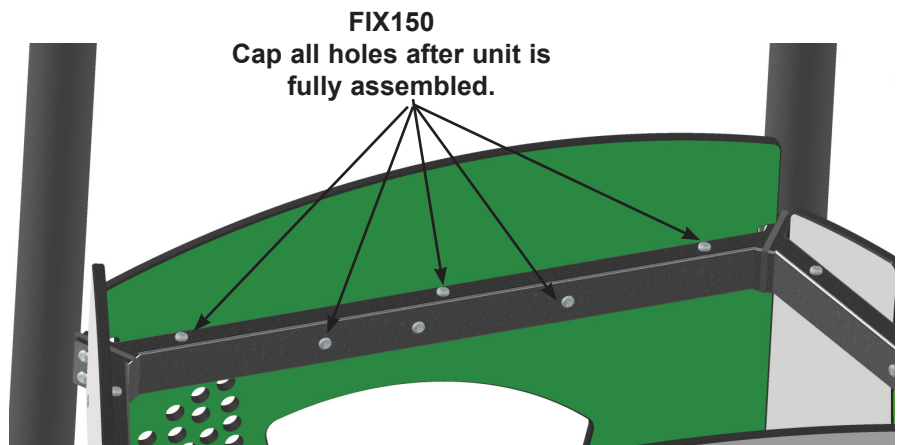
Inner Framework.

Ref	Description	Qty
WSR040	M10 Plain Washer	12
FIX155	M10 x 30 Security Bolt	12



Capping Holes.

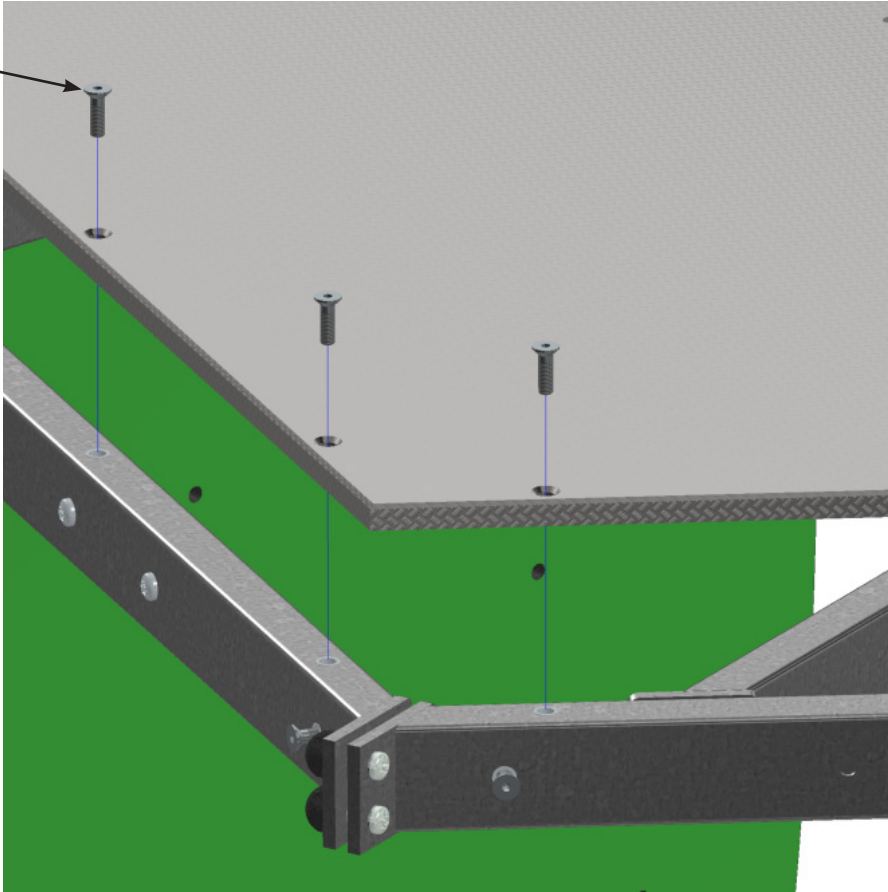
Ref	Description	Qty
FIX150	M10 x 20 Security Bolt	61



PEN100

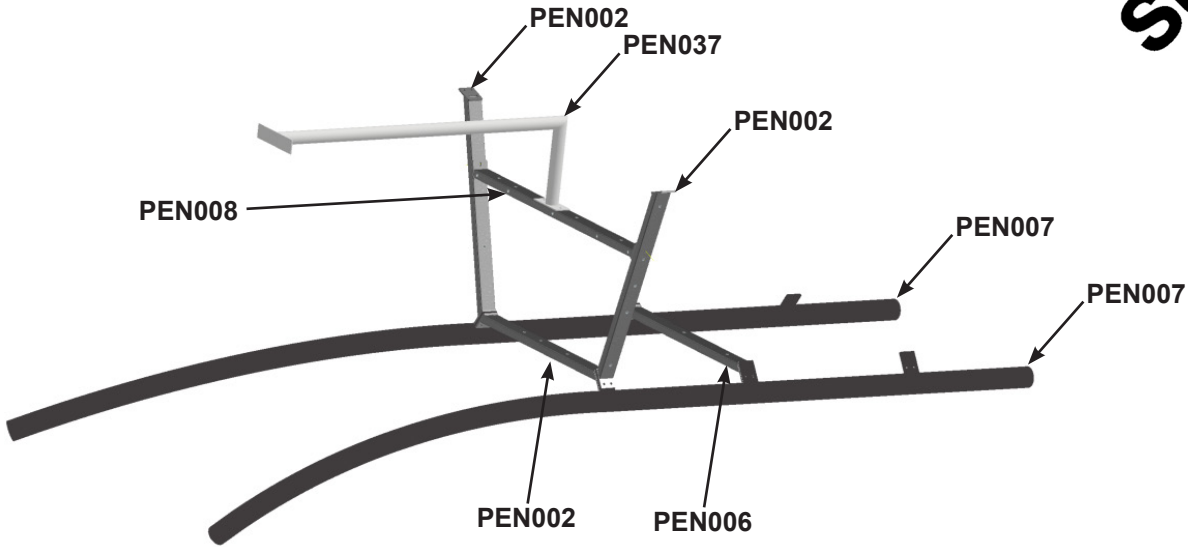
Deck Fixings

MCS321
M10 x 35mm



PEN100

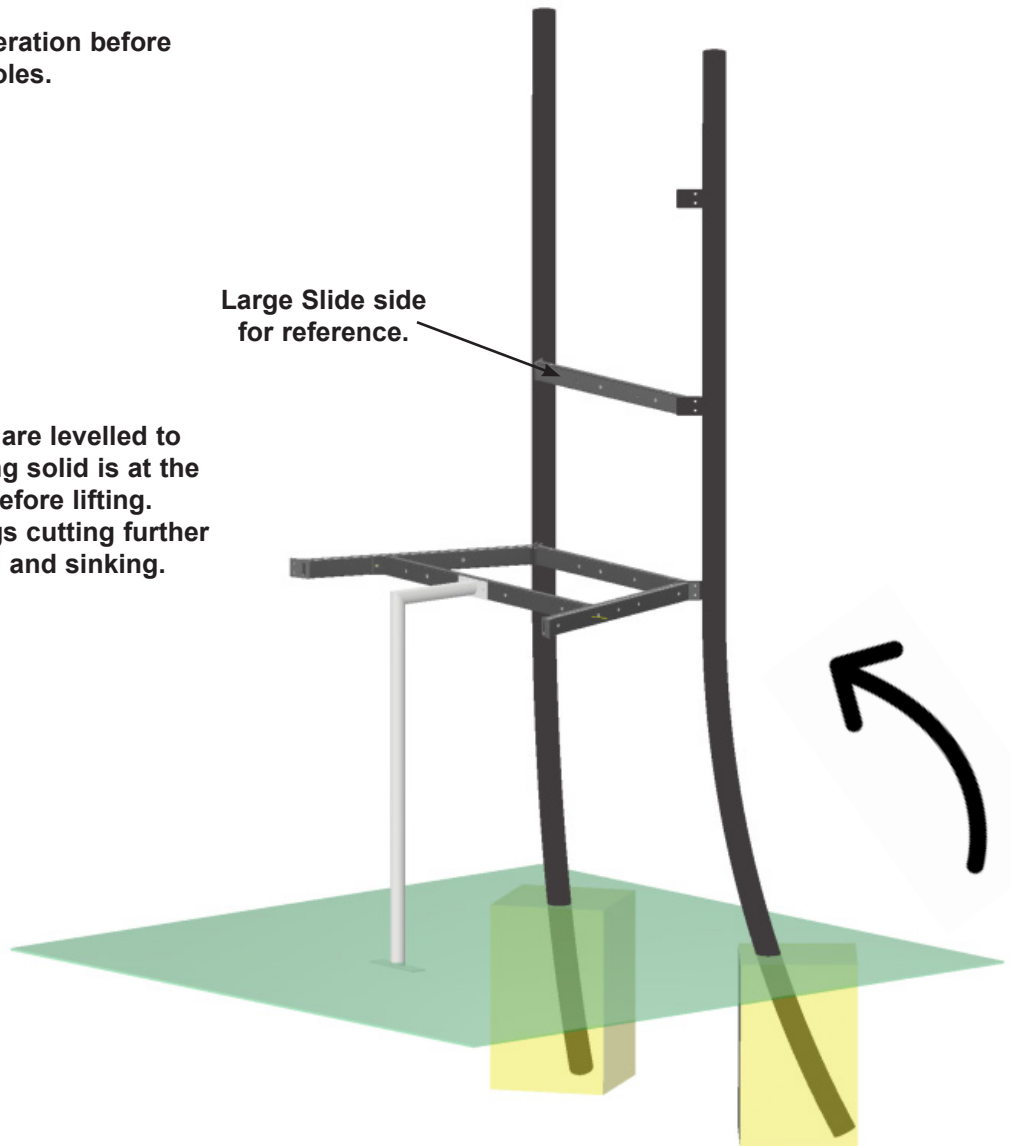
Installation Steps Guidance



Assemble on the floor in preparation before tilting unit into the holes.

Large Slide side for reference.

Note: Ensure all holes are levelled to each other and something solid is at the bottom of the hole before lifting. This will help prevent legs cutting further down into the ground and sinking.

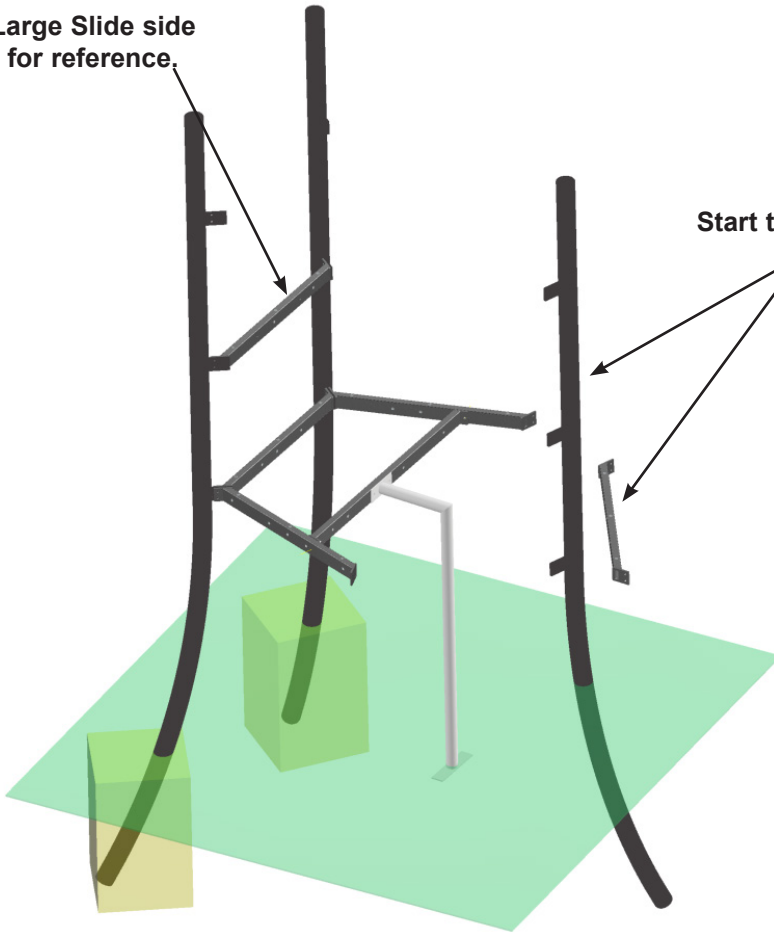


PEN100

Installation Steps Guidance

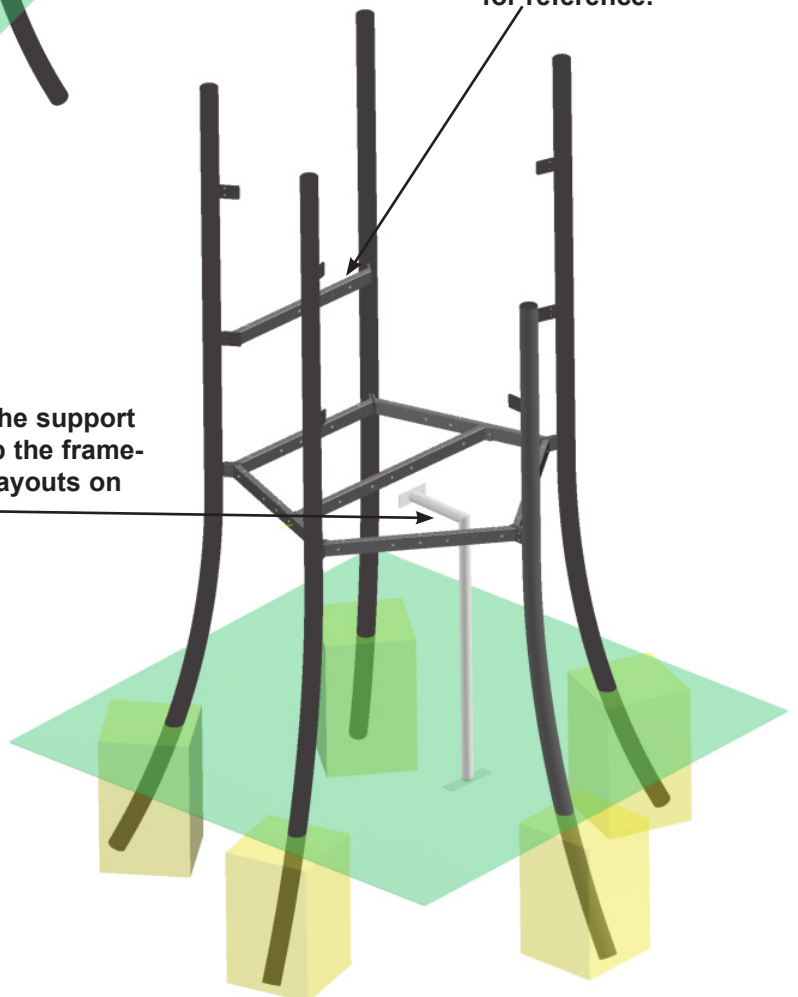
Large Slide side
for reference.

Start to add the rest of the legs using the
framework to brace it.



Large Slide side
for reference.

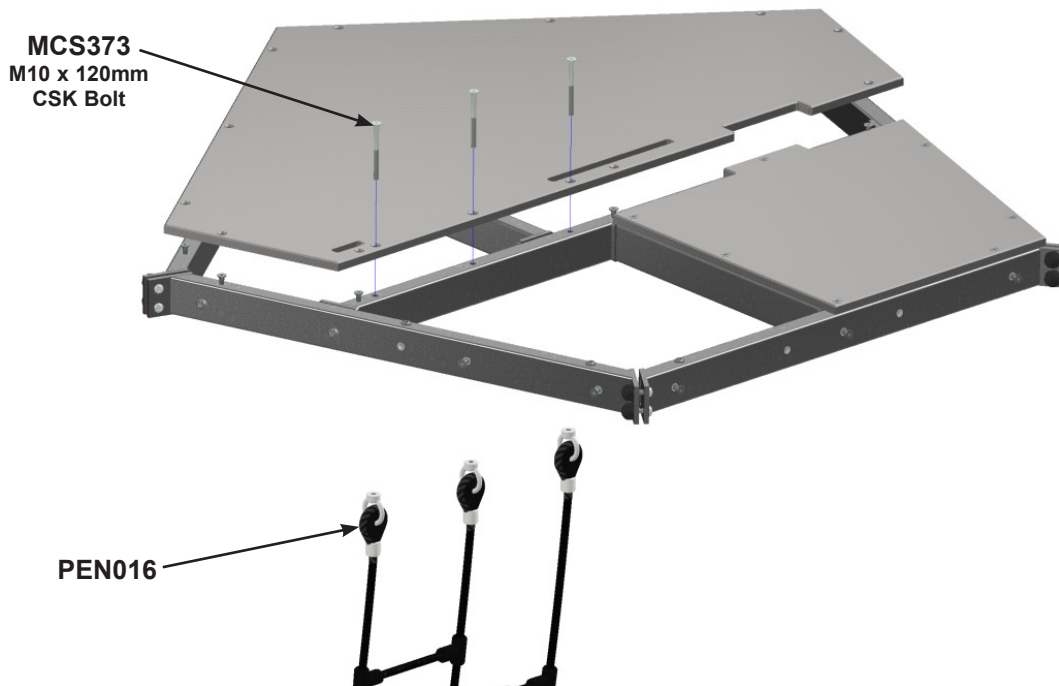
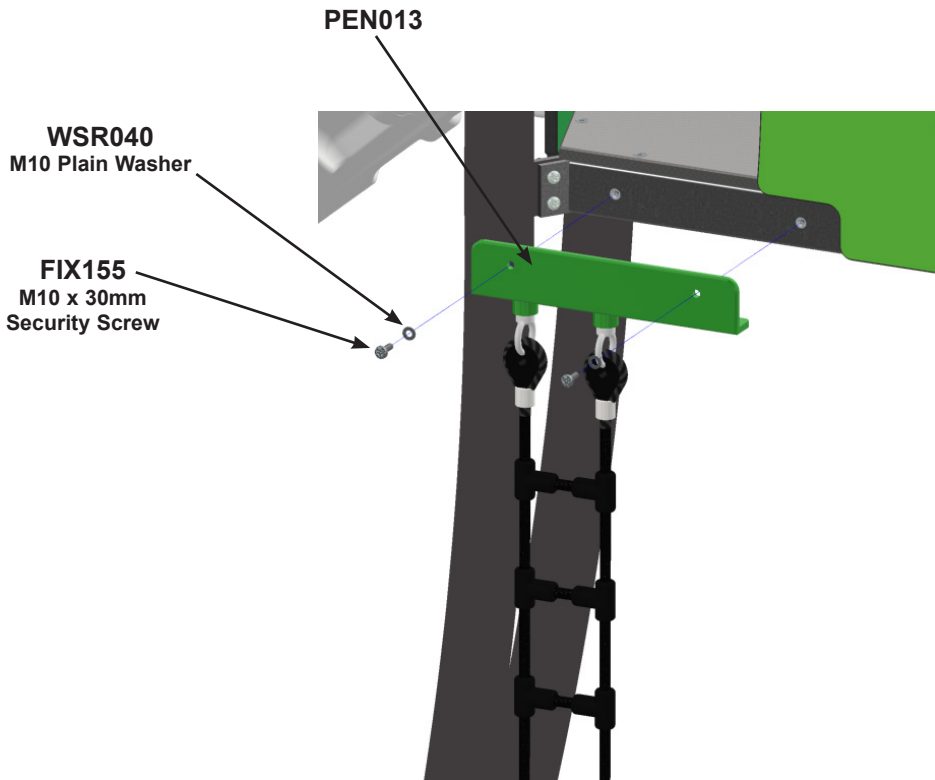
Once all 5 Legs are up, remove the support
station and continue building up the frame-
work and platforms as per the layouts on
Page 8.



PEN100

Net Assemblies

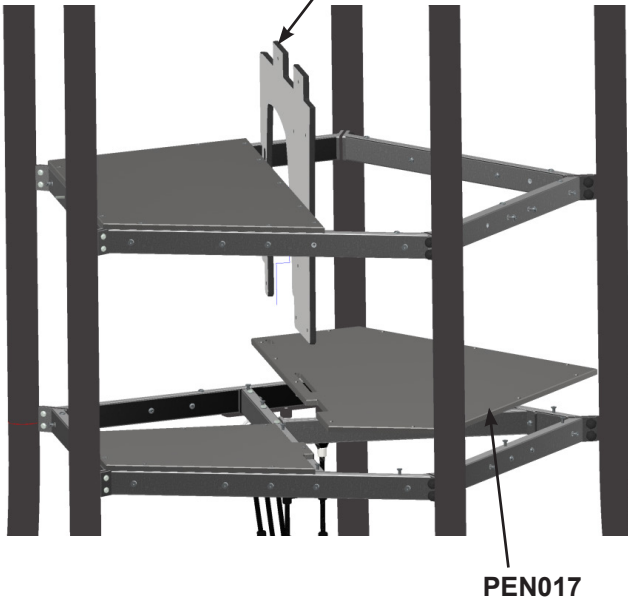
design
make
play
SutcliffePlay



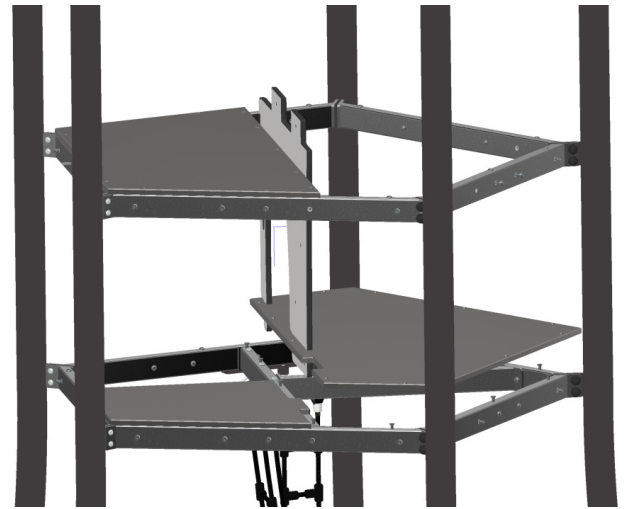
PEN100

Installation Steps Guidance

1. Lift PEN017 up and out. **PEN019**



2. Slot **PEN019** into the slots in Deck (**PEN017**)



3. Finally position Deck (**PEN017**) back onto the framework.



Large Slide side
for reference.

Finally, add all panelling and
metalwork activities.



PEN100

Installation Steps Guidance

design
make
play
SutcliffePlay

Front View



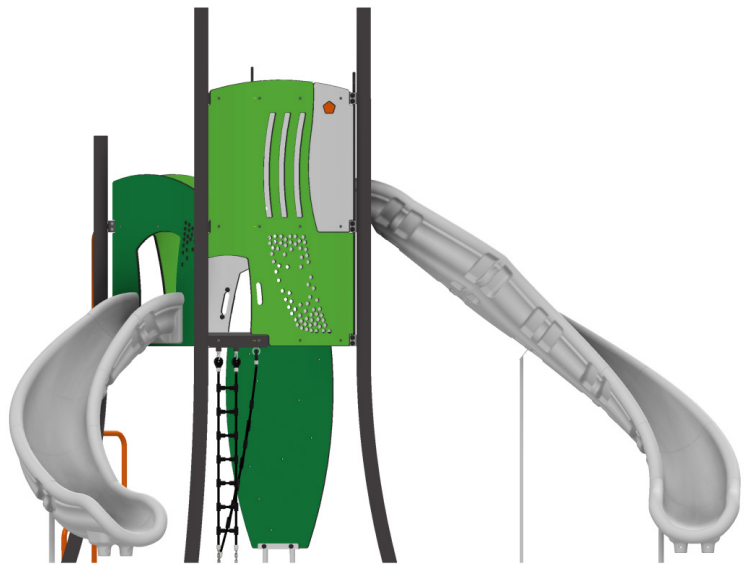
Right View



Back View



Left View

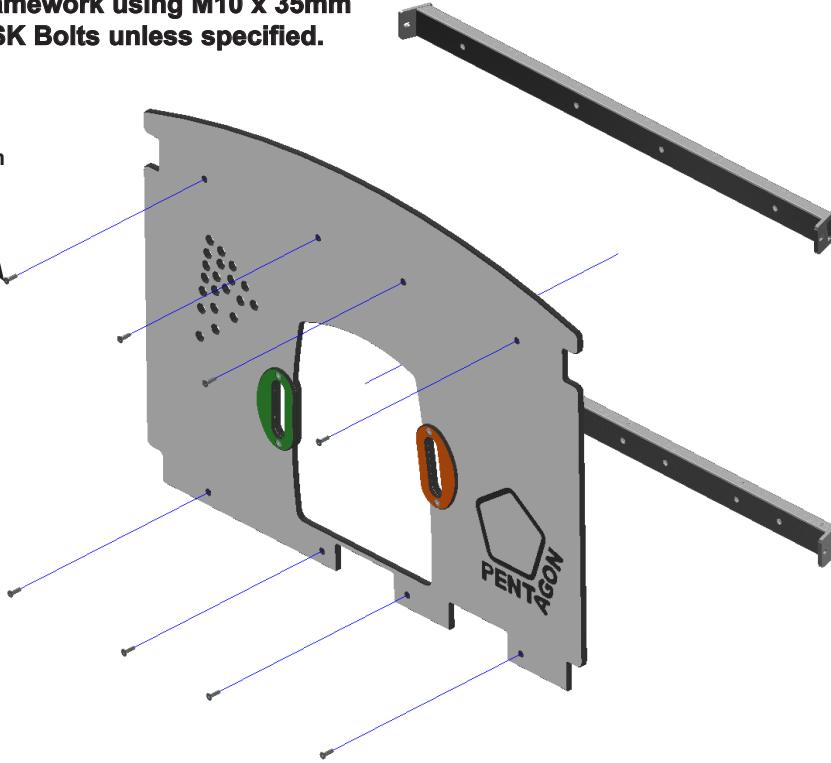


PEN100

Panel Assembly

General Panels are attached to framework using M10 x 35mm CSK Bolts unless specified.

MCS321
M10 x 35mm
CSK Bolt



Hand Hold Fixings:

MCS335
M10 x 50mm
CSK Bolt

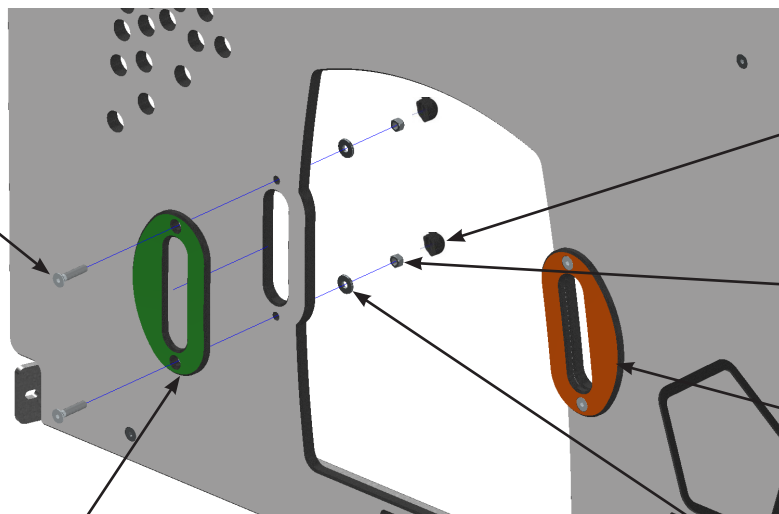
DZS005
M10 Nut Cover

LKN320
M10 Nyloc Nut

PEN022

PEN021

DZS009
M10 Step Washer



PEN100

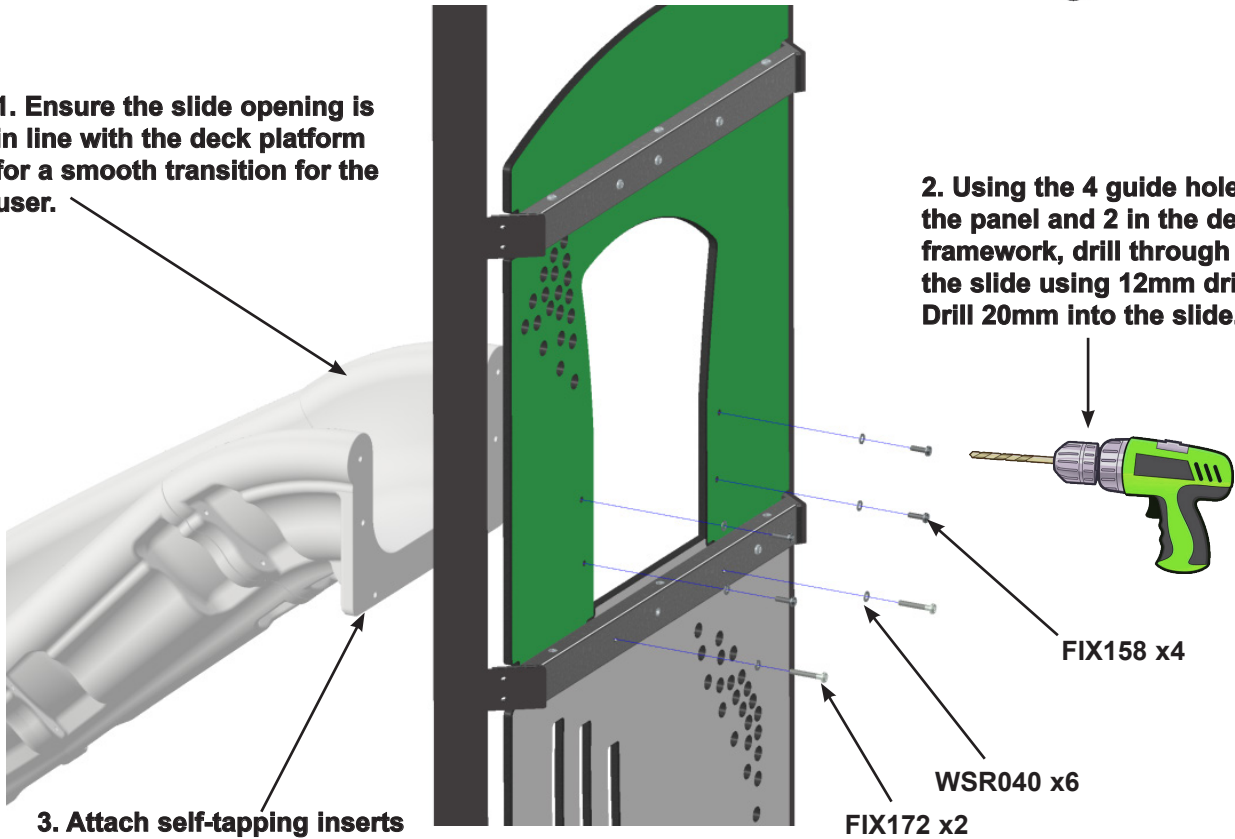
Plastic Slides Assembly

design
make
play
SutcliffePlay

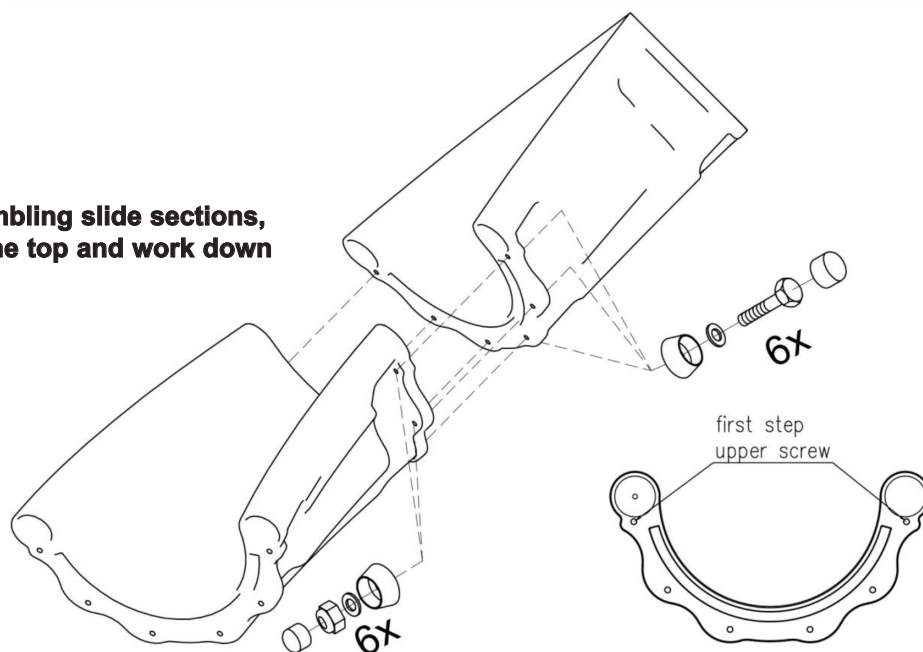
1. Ensure the slide opening is in line with the deck platform for a smooth transition for the user.

2. Using the 4 guide holes in the panel and 2 in the deck framework, drill through into the slide using 12mm drill bit. Drill 20mm into the slide.

3. Attach self-tapping inserts (Use M10 bolt and washer to assist).



When assembling slide sections, start from the top and work down the slide.



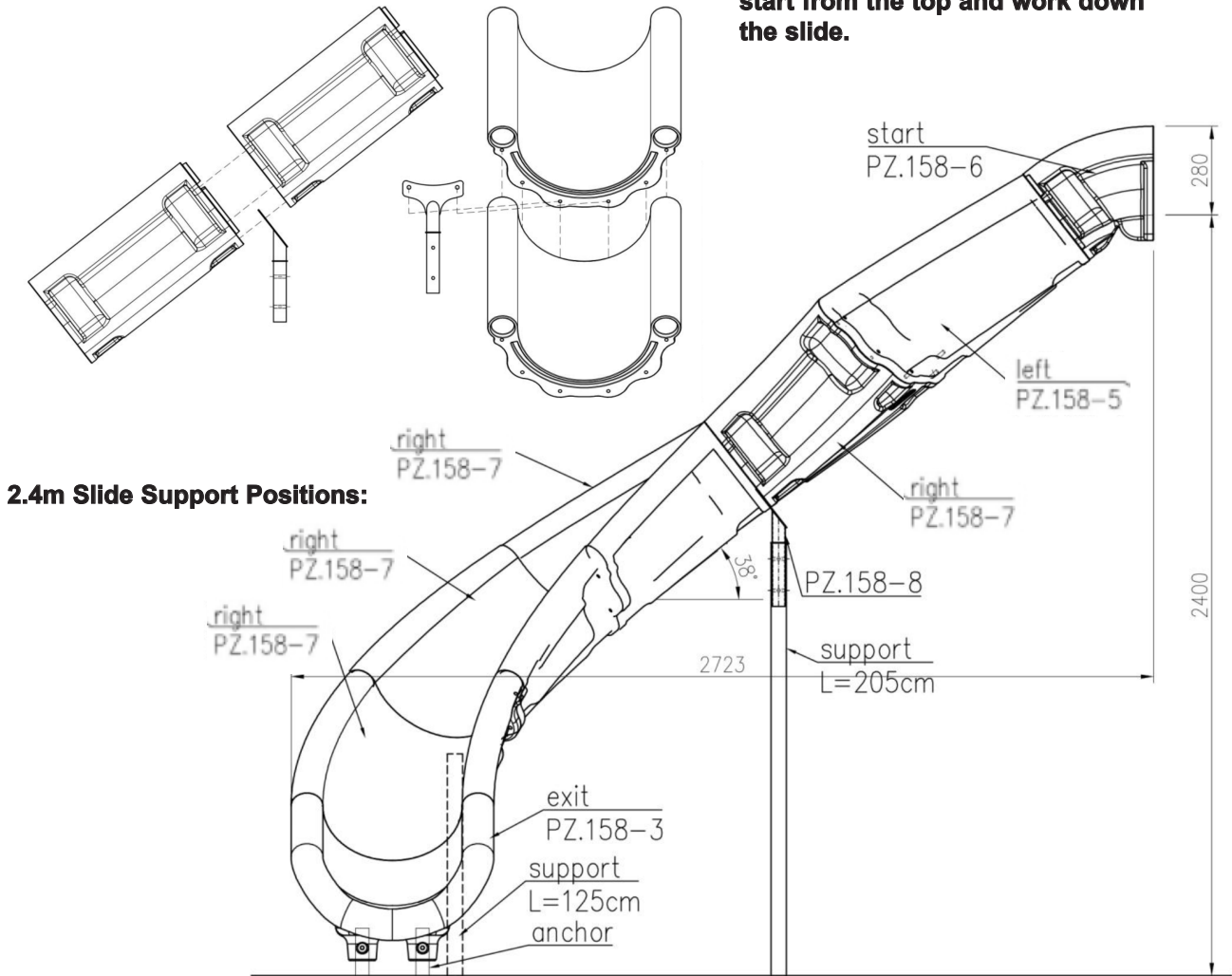
PEN100

Plastic Slides Assembly

design
make
play
SutcliffePlay

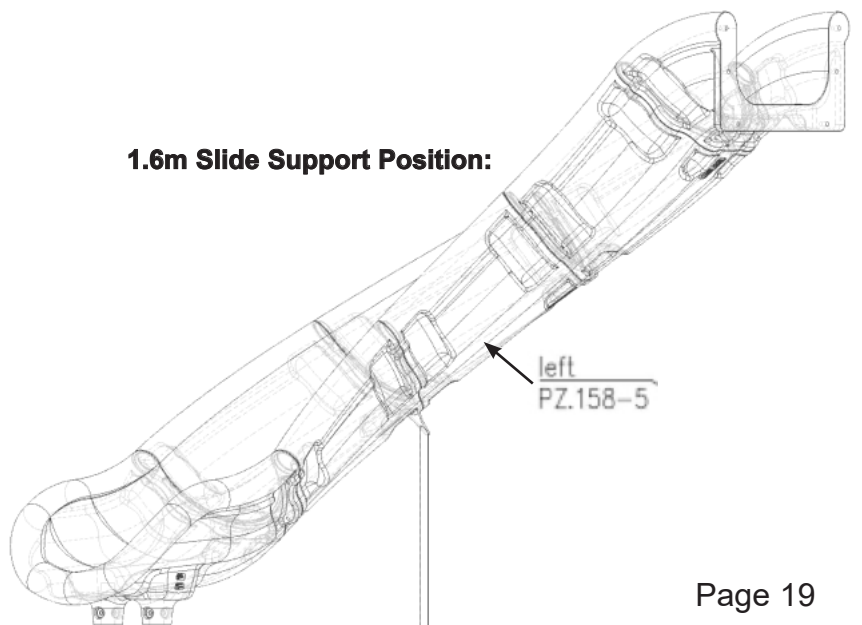
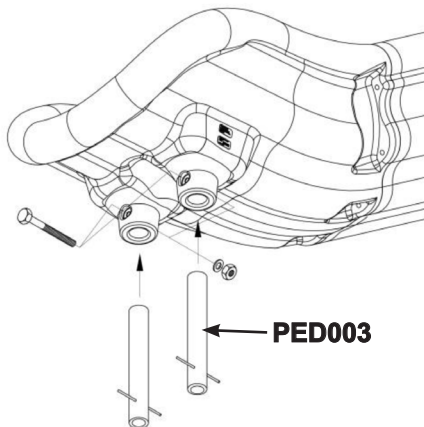
Mounting the Slide Supports:

When assembling slide sections,
start from the top and work down
the slide.



2.4m Slide Support Positions:

1.6m Slide Support Position:

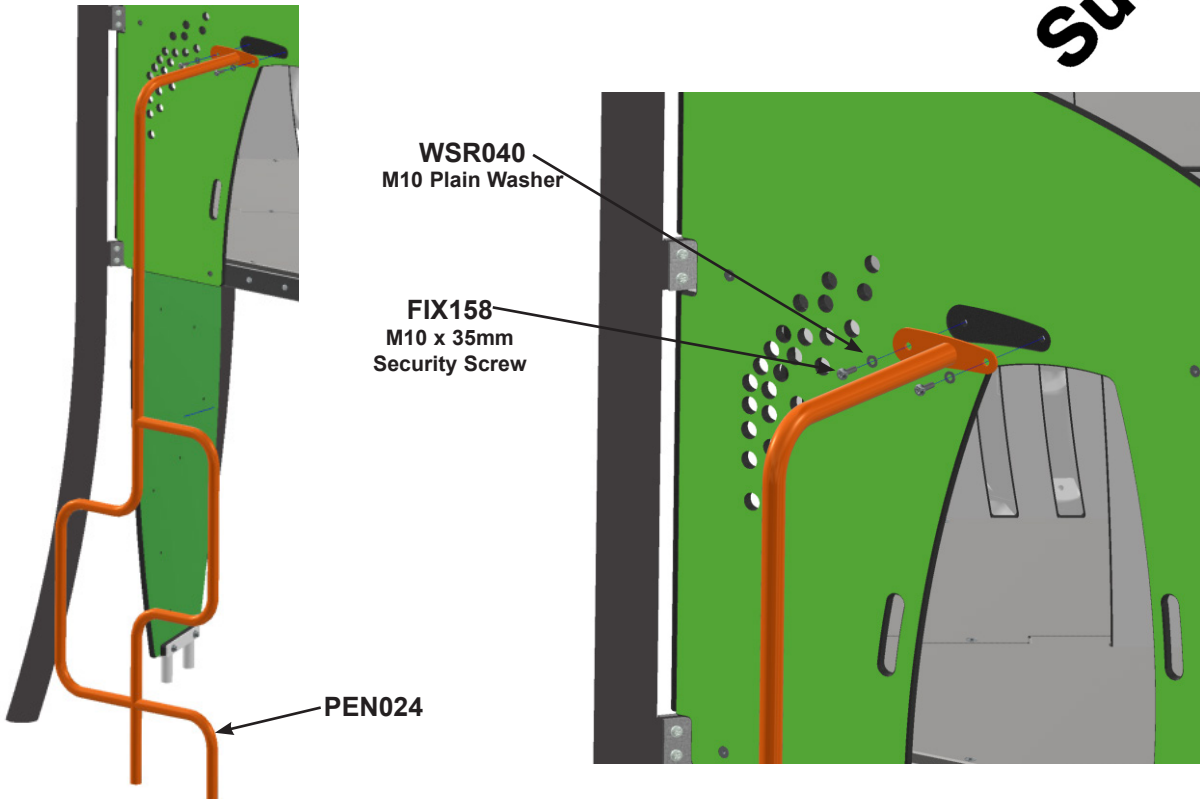


PEN100

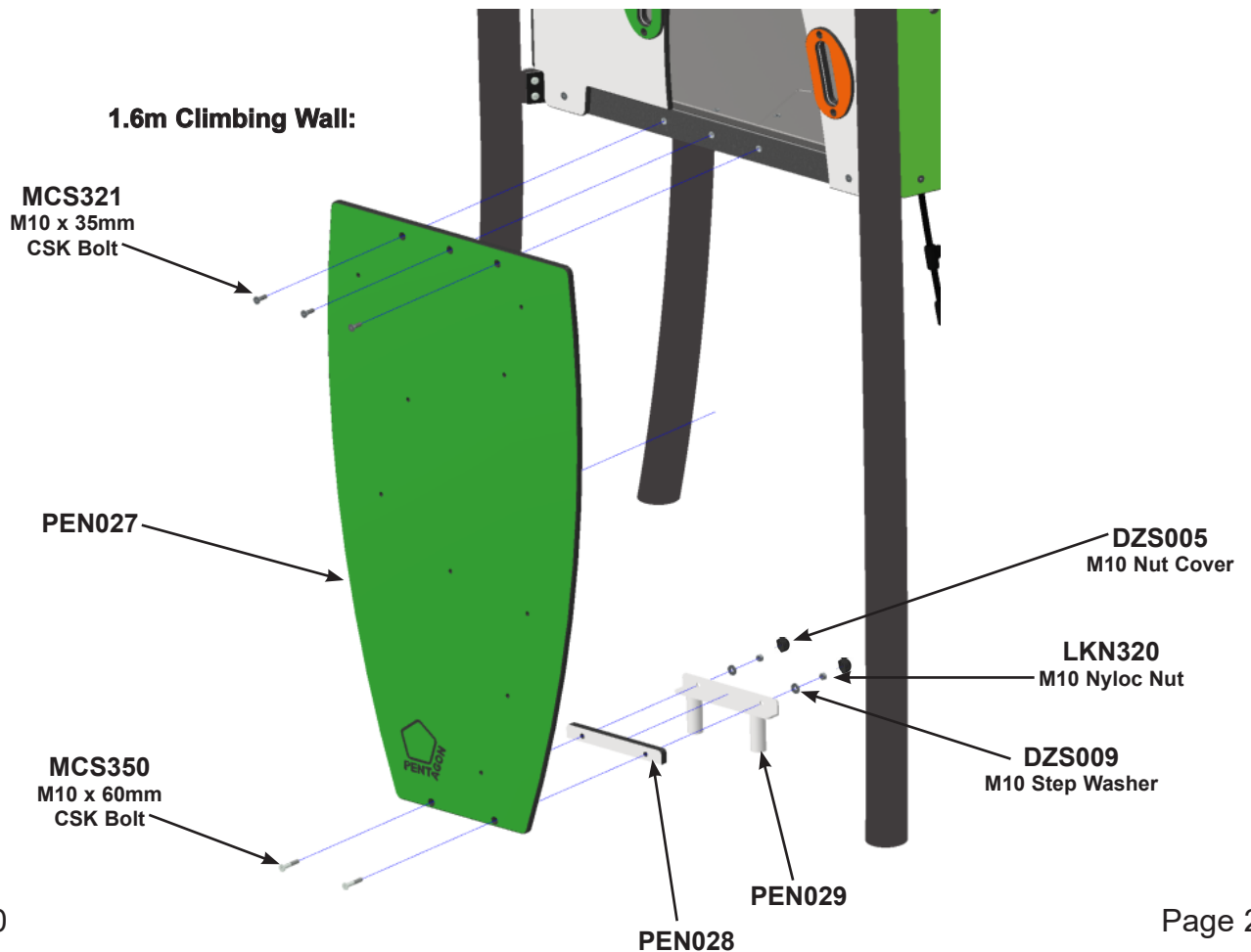
Equipment Assembly

design
make
play
SutcliffePlay

Puzzle Climber:



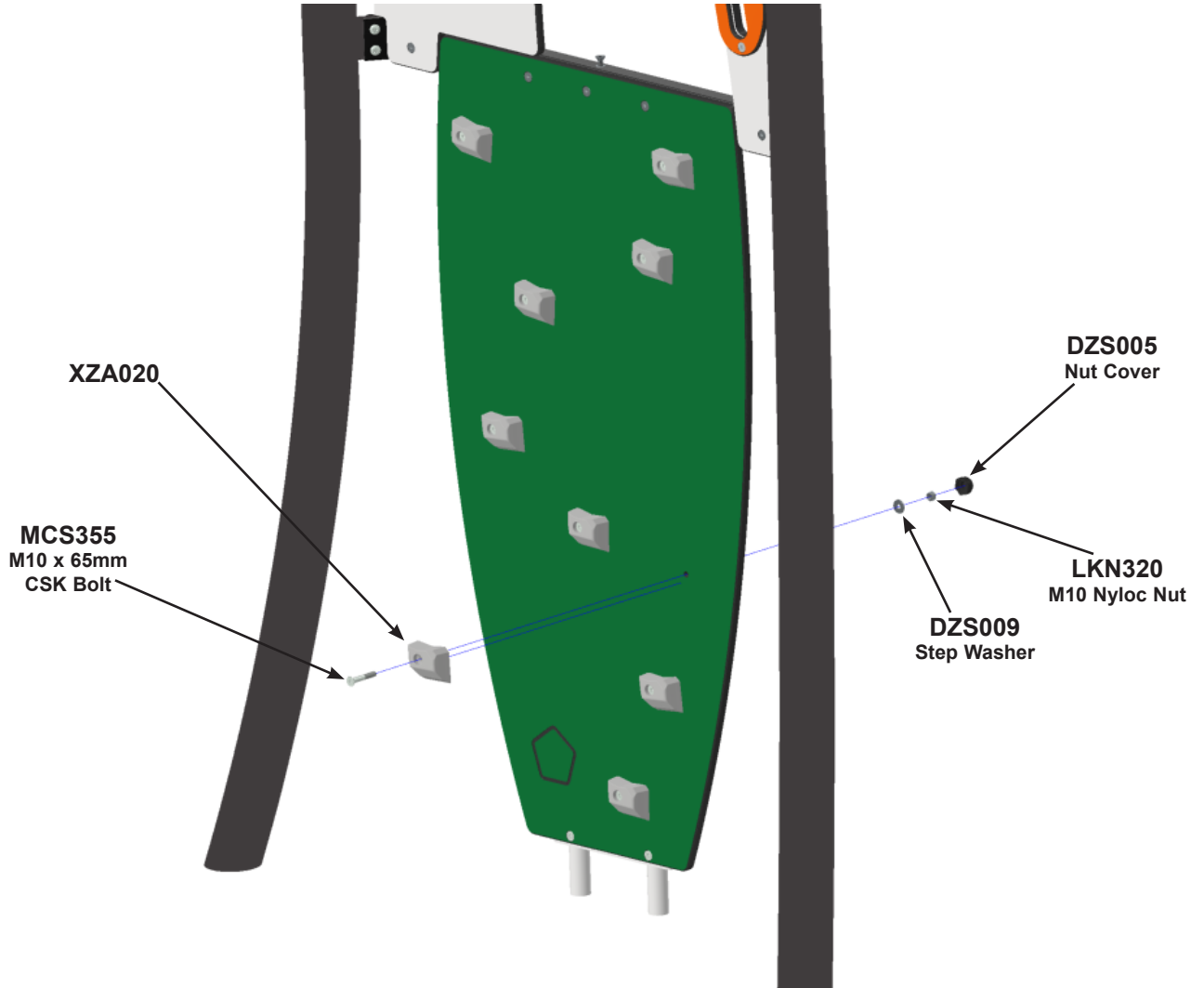
1.6m Climbing Wall:



PEN100

Equipment Assembly
Climbing Nodules

design
make
play
SutcliffePlay



PEN100

Unit

Maintenance Instructions



NOTE

The warranty is invalidated if these instructions are not followed.
All wood needs annual inspection and retreatment where required.

Recommended Regular Inspection and Maintenance

	Interval Days				
	7	14	28	56	365
Check stability of structure, tighten connections if required.	<input type="checkbox"/>	<input type="checkbox"/>	<input type="checkbox"/>	<input checked="" type="checkbox"/>	<input type="checkbox"/>
Check all uprights at ground level for corrosion and/or rot. Replace any defective parts.	<input type="checkbox"/>	<input type="checkbox"/>	<input type="checkbox"/>	<input type="checkbox"/>	<input checked="" type="checkbox"/>
Check all painted elements for damage, rub down and repaint or replace as required.	<input type="checkbox"/>	<input type="checkbox"/>	<input type="checkbox"/>	<input checked="" type="checkbox"/>	<input type="checkbox"/>
Check chain/ropework assemblies for wear and damage, replace if required.	<input type="checkbox"/>	<input checked="" type="checkbox"/>	<input type="checkbox"/>	<input type="checkbox"/>	<input type="checkbox"/>
Check rotating and pivot points for wear and smooth running lubricate or replace if required.	<input type="checkbox"/>	<input type="checkbox"/>	<input checked="" type="checkbox"/>	<input type="checkbox"/>	<input type="checkbox"/>
Check rubber parts for wear and/or damage, replace if required.	<input type="checkbox"/>	<input type="checkbox"/>	<input checked="" type="checkbox"/>	<input type="checkbox"/>	<input type="checkbox"/>
Check tension cables, adjust if required.	<input type="checkbox"/>	<input type="checkbox"/>	<input checked="" type="checkbox"/>	<input type="checkbox"/>	<input type="checkbox"/>
Check wear of cables, replace if required.	<input type="checkbox"/>	<input type="checkbox"/>	<input checked="" type="checkbox"/>	<input type="checkbox"/>	<input type="checkbox"/>
Check slide chutes for smoothness and any foreign elements, remove any found.	<input type="checkbox"/>	<input type="checkbox"/>	<input checked="" type="checkbox"/>	<input type="checkbox"/>	<input type="checkbox"/>
Check rubber safety surfaces for damage and poor performance, repair or replace if required.	<input type="checkbox"/>	<input type="checkbox"/>	<input type="checkbox"/>	<input checked="" type="checkbox"/>	<input type="checkbox"/>
Check loose fill safety surfaces, remove any foreign elements, rake level and top up if required.	<input type="checkbox"/>	<input type="checkbox"/>	<input checked="" type="checkbox"/>	<input type="checkbox"/>	<input type="checkbox"/>

Disposal Instructions

All components should be broken down into categories of:-

- 1 **Mild Steel** - all activities and frames
- 2 **Stainless Steel** - all Slides, Mirror Panels.
- 3 **Aluminium** - all Playzone and Toddlerzone Posts.
- 4 **Galvanised Steel** - all Chains and Teenzone Posts.
- 5 **Moulded Rubber Products without steel inserts** - all Toddlerzone Caps and edge details.
- 6 **Timber** - all natural timber, plywood, and MDF panels.

Wherever possible these materials should be taken to specialist recycling organisations and recycled.

In some cases where composite materials are used, then disposal at land fill sites is the only alternative such as:

- 7 **Moulded Rubber Products encasing steel inserts** - all Swing Seats, Deck Tops, Duo/Dizzy Disc Tops.
- 8 **High Pressure Laminate** - all Toddlerzone, Playzone and Teenzone Panels.
- 9 **Steel Core Polypropylene Rope** - all Scramble Nets, Space Nets, Playzone/Toddlerzone Ropes.