

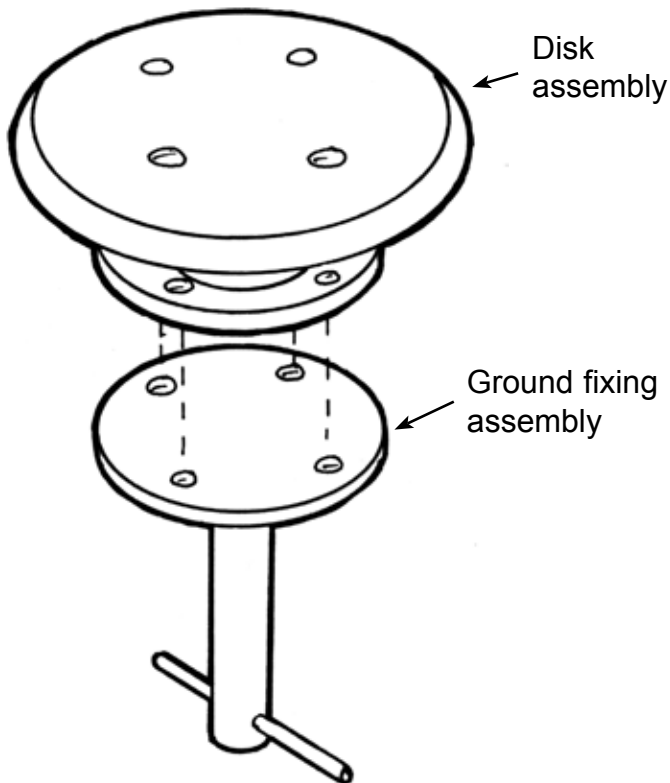
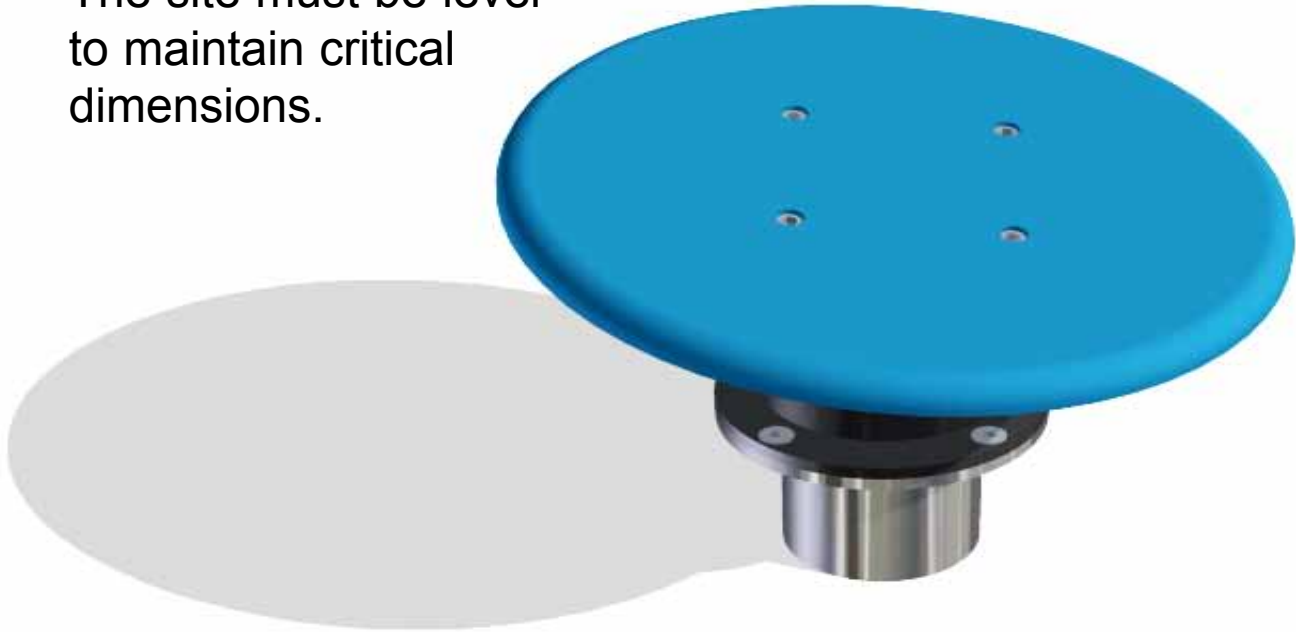
SDD900 Duo Disc Installation Instructions

Rev 00

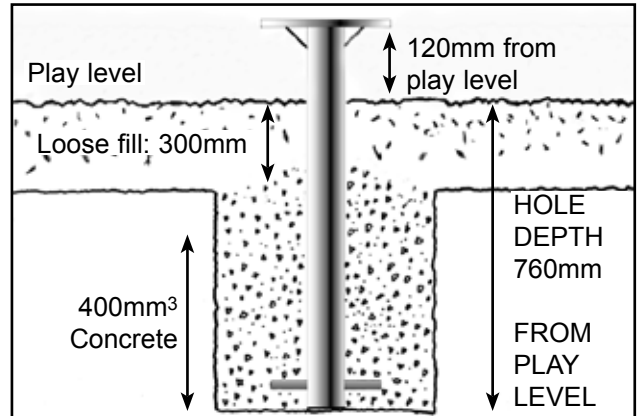
Page 1 of 3

design
make
play
SutcliffePlay
Telephone +44 (0) 1977 653200
info@sutcliffeplay.co.uk
www.sutcliffeplay.co.uk

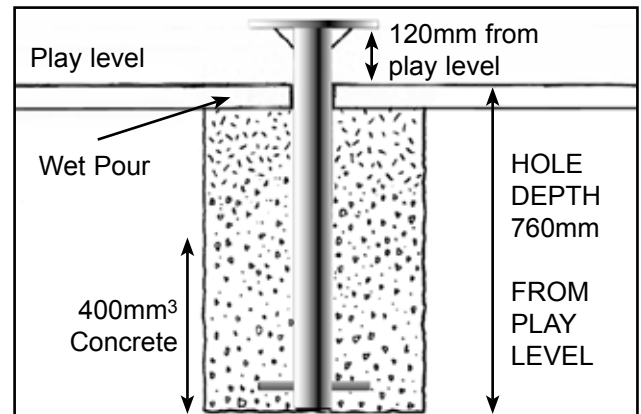
The site must be level
to maintain critical
dimensions.



Foundation for loose fill surfacing



Foundation for wet pour/tiles



SDD900 Duo Disc

Installation Instructions

Rev 00

Page 2 of 3

design
make
play
SutcliffePlay

1. Plan the final position of the play equipment ensuring there is enough space:

Safety surface recommended 10.5m² based on 1.5m from the extremity of the equipment (HIC 1m), perimeter length: 11.7 m.

2. Excavate the foundation holes in accordance with the plan**.

3. Ground irons should be levelled before concreting.

4. Assemble the equipment in the foundation holes.

5. Fill in the foundation holes to the required depth with concrete.

6. After the concrete has set (2-3 days) the Duo disk may be bolted to the ground plate.

7. Check all the fixings bolt are tightened.

8. Follow the maintenance instructions supplied.

* Care should be taken while installing to decrease the hazard for children.

** Extra care should be taken if the conditions aren't normal.

Parts list			
Item No.	Description	Qty.	Stock
1	Disc assembly	1	SDD100
2	Ground fixing assy	1	SWD115

Required tools:

- 8mm socket
- Tape measure
- Spirit level
- Digging implements

SDD900 Duo Disc

Maintenance Instructions

Rev 00

Page 3 of 3

design
make
play
SutcliffePlay

Recommended Regular Inspection and Maintenance

	Interval (days)				
	7	14	28	56	365
Check stability of structure, tighten connections if required.	<input type="checkbox"/>	<input type="checkbox"/>	<input type="checkbox"/>	<input checked="" type="checkbox"/>	<input type="checkbox"/>
Check all uprights at ground level for corrosion and/or rot. Replace any defective parts.	<input type="checkbox"/>	<input type="checkbox"/>	<input type="checkbox"/>	<input checked="" type="checkbox"/>	<input type="checkbox"/>
Check all painted elements for damage, rub down and repaint or replace as required.	<input type="checkbox"/>	<input type="checkbox"/>	<input type="checkbox"/>	<input checked="" type="checkbox"/>	<input type="checkbox"/>
Check chain/ropework assemblies for wear and damage, replace if required.	<input type="checkbox"/>	<input type="checkbox"/>	<input type="checkbox"/>	<input type="checkbox"/>	<input type="checkbox"/>
Check rotating and pivot points for wear and smooth running lubricate or replace if required.	<input type="checkbox"/>	<input type="checkbox"/>	<input checked="" type="checkbox"/>	<input type="checkbox"/>	<input type="checkbox"/>
Check rubber parts for wear and/or damage, replace if required.	<input type="checkbox"/>	<input type="checkbox"/>	<input checked="" type="checkbox"/>	<input type="checkbox"/>	<input type="checkbox"/>
Check rubber safety surfaces for damage and poor performance, repair or replace if required.	<input type="checkbox"/>	<input type="checkbox"/>	<input type="checkbox"/>	<input checked="" type="checkbox"/>	<input type="checkbox"/>
Check loose fill safety surfaces remove any foreign elements, rake level and top up if required.	<input type="checkbox"/>	<input checked="" type="checkbox"/>	<input type="checkbox"/>	<input type="checkbox"/>	<input type="checkbox"/>

Disposal Instructions

All components should be broken down into categories of:

1. **Mild steel** - all swing frames, Playzone, Toddlerzone, Teenzone activities, deck frames and springie frames.
2. **Stainless Steel** - all slides, mirror panels.
3. **Aluminium** - all Playzone and Toddlerzone posts and Playzone post caps.
4. **Galvanised steel** - all chains and Teenzone posts.
5. **Moulded rubber products without steel centres** - all caps and edge details.
6. **Timber** - all natural timber, plywood and mdf panels.

Wherever possible these materials should be taken to specialist recycling organisations and recycled. In some cases where composite materials are used then disposal at land fill sites is the only alternative such as:

7. **Moulded rubber products encasing steel centres** - deck tops, duo/dizzy disc tops.
8. **High pressure laminate** - all Toddlerzone, Playzone panels.
9. **Steel core polypropylene rope** - all scramble nets, space nets, rope bridges.