

design
make
play

SutcliffePlay

Waggon Lane
Upton Pontefract
West Yorkshire WF9 1JS
Telephone +44 (0) 1977 653200
Facsimile +44 (0) 1977 653222
info@sutcliffeplay.co.uk
www.sutcliffeplay.co.uk

Teenzone

Installation Instructions

TZU178

TZU178

Teenzone Unit Installation Instructions



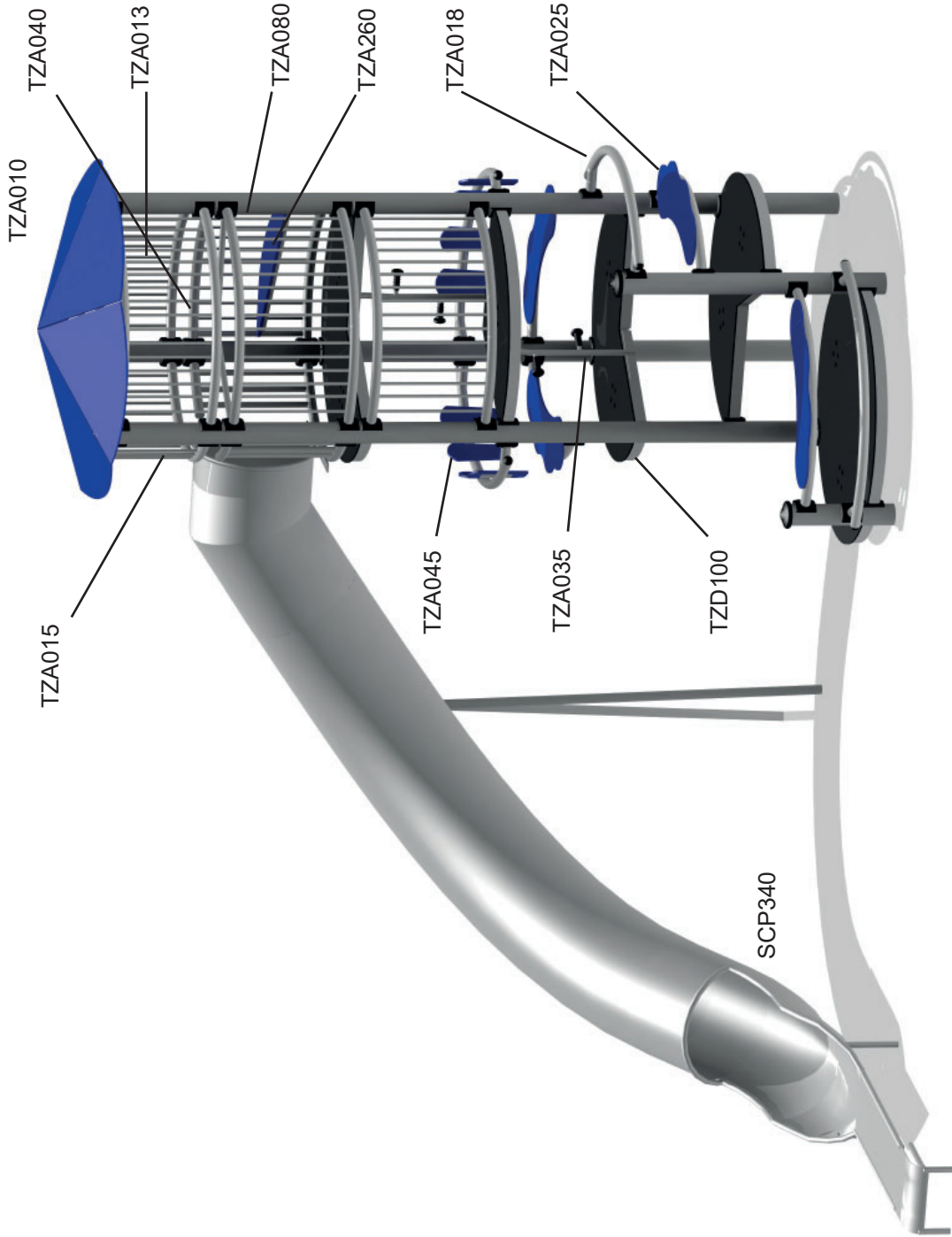
- 1 Check using the Parts List that none of the components are missing.
- 2 Plan the final position of the play equipment ensuring there is sufficient space.
- 3 Stainless steel slides should face north or be shaded to prevent over heating. Slide runouts should be inclined downwards by approximately 2 degrees for drainage purposes.
- 4 Excavate the foundation holes in accordance with the plan.
- 5 Sort and identify parts before assembly. Each leg is numbered to correspond with the foundation plan.
- 6 Position 2 off 300 long spragging irons into the holes provided in each post upright and stand in the foundation holes. Assemble the decks at the positions marked on the posts. Do not tighten the fixing bolts until all the activities have been assembled.
- 7 Assemble the activities onto the posts. Leave fixing bolts loose until all the activities have been assembled.
- 8 Fill the foundation holes to the required depth with concrete.
- 9 Do not allow the equipment to be used until the concrete has set (2 - 3 days) and the required safety surfacing has been installed.
- 10 Tighten all fixing bolts.
- 11 Follow the maintenance instructions supplied.

During installation care must be taken to prevent hazards to children.
Care should be taken if conditions are abnormal.

TZU178

Teenzone Unit Parts list

design
make
play
Sutcliffe Play



| Ref | Description | Qty |
|---------|------------------------|-----|
| TZA010 | Six roof panel | 1 |
| TZA013 | Roof support barrier | 3 |
| TZA015 | Chute entrance barrier | 1 |
| TZA080 | Standard barrier | 2 |
| TZA035 | Internal ladder | 2 |
| SCP340 | Curved tunnel chute | 1 |
| TZA040 | Internal hand rail | 1 |
| TZA045 | Backrest | 2 |
| TZA025 | Curved seat | 4 |
| TZA018 | Deck | 10 |
| TZA018 | Guard rail | 2 |
| TZA260 | Teenzone tower seating | 1 |
| TZP178 | Posts (set of 5) | 1 |
| TZU178F | ixing kit (set) | 1 |

TZU178

Teenzone Unit

Maintenance Instructions



Recommended Regular Inspection and Maintenance

Check stability of structure, tighten connections if required.



Check all uprights at ground level for corrosion and/or rot. Replace any defective parts.



Check all painted elements for damage, rub down and repaint or replace as required.



Check chain/ropework assemblies for wear and damage, replace if required.



Check rotating and pivot points for wear and smooth running lubricate or replace if required.



Check rubber parts for wear and/or damage, replace if required.



Check tension cables, adjust if required.



Check wear of cables, replace if required.



Check slide chutes for smoothness and any foreign elements, remove any found.



Check rubber safety surfaces for damage and poor performance, repair or replace if required.



Check loose fill safety surfaces, remove any foreign elements,



Disposal Instructions

All components should be broken down into categories of:-

- 1 **Mild Steel** - all Swing Frames, Playzone, Toddlerzone, Teenzone activities, Deck Frames and Springie Frames.
- 2 **Stainless Steel** - all Slides, Mirror Panels.
- 3 **Aluminium** - all Playzone and Toddlerzone Posts.
- 4 **Galvanised Steel** - all Chains and Teenzone Posts.
- 5 **Moulded Rubber Products without steel inserts** - all Toddlerzone Caps and edge details.
- 6 **Timber** - all natural timber, plywood, and MDF panels.

Wherever possible these materials should be taken to specialist recycling organisations and recycled.

In some cases where composite materials are used, then disposal at land fill sites is the only alternative such as:

- 7 **Moulded Rubber Products encasing steel inserts** - all Swing Seats, Deck Tops, Duo/Dizzy Disc Tops.
- 8 **High Pressure Laminate** - all Toddlerzone, Playzone and Teenzone Panels.
- 9 **Steel Core Polypropylene Rope** - all Scramble Nets, Space Nets, Playzone/Toddlerzone Ropes.