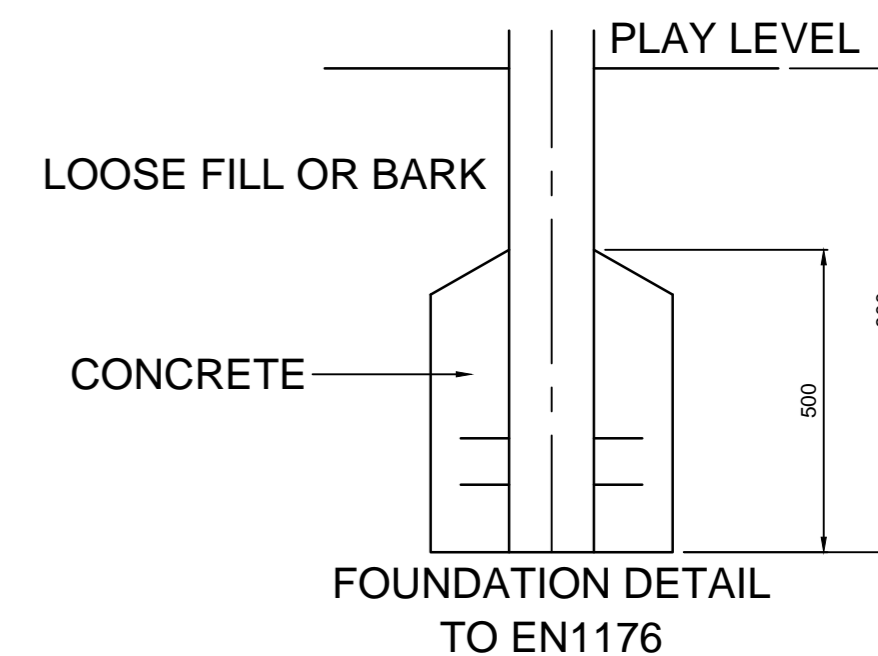
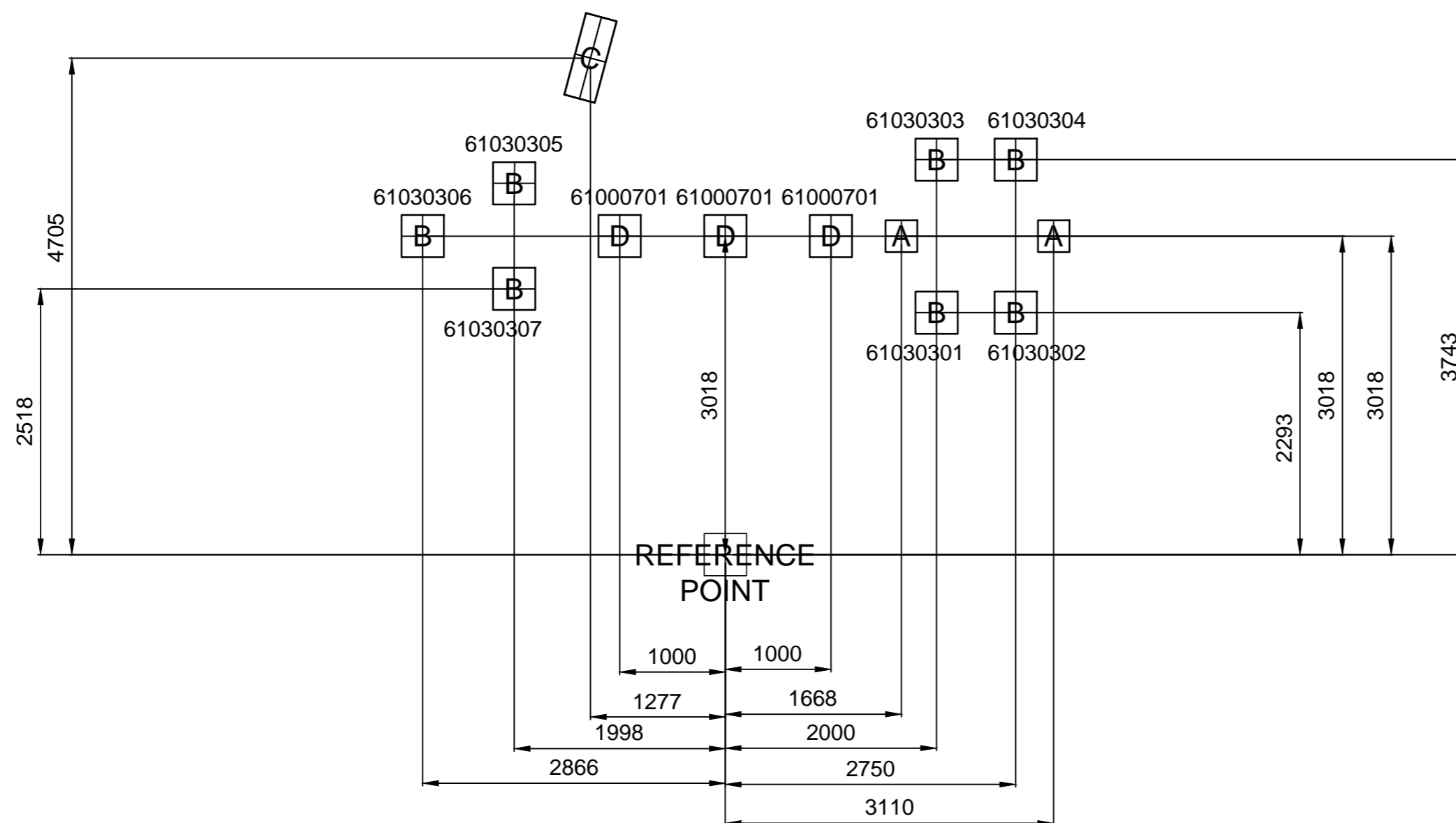
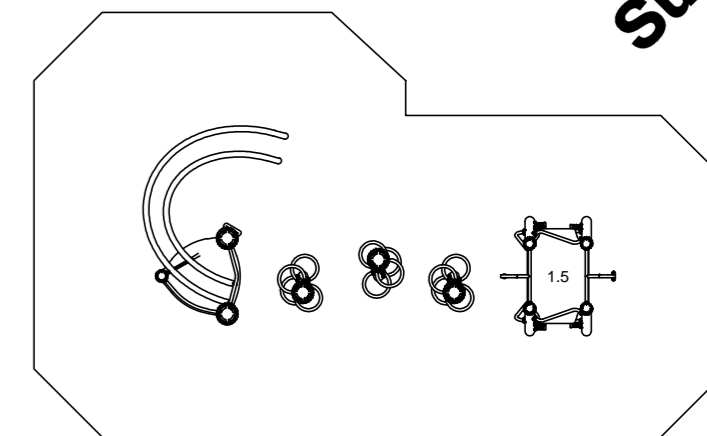


SCALE 1:100

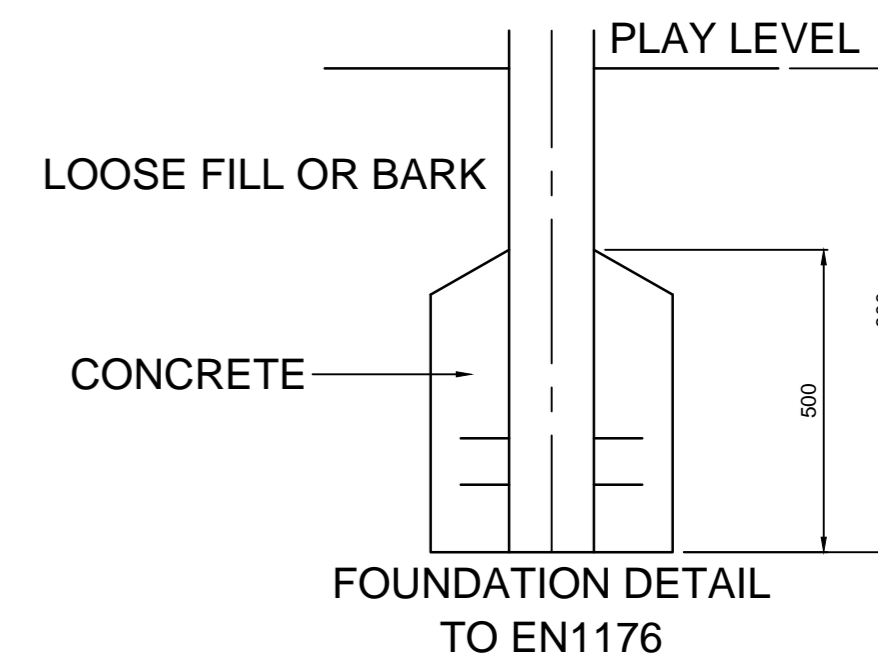
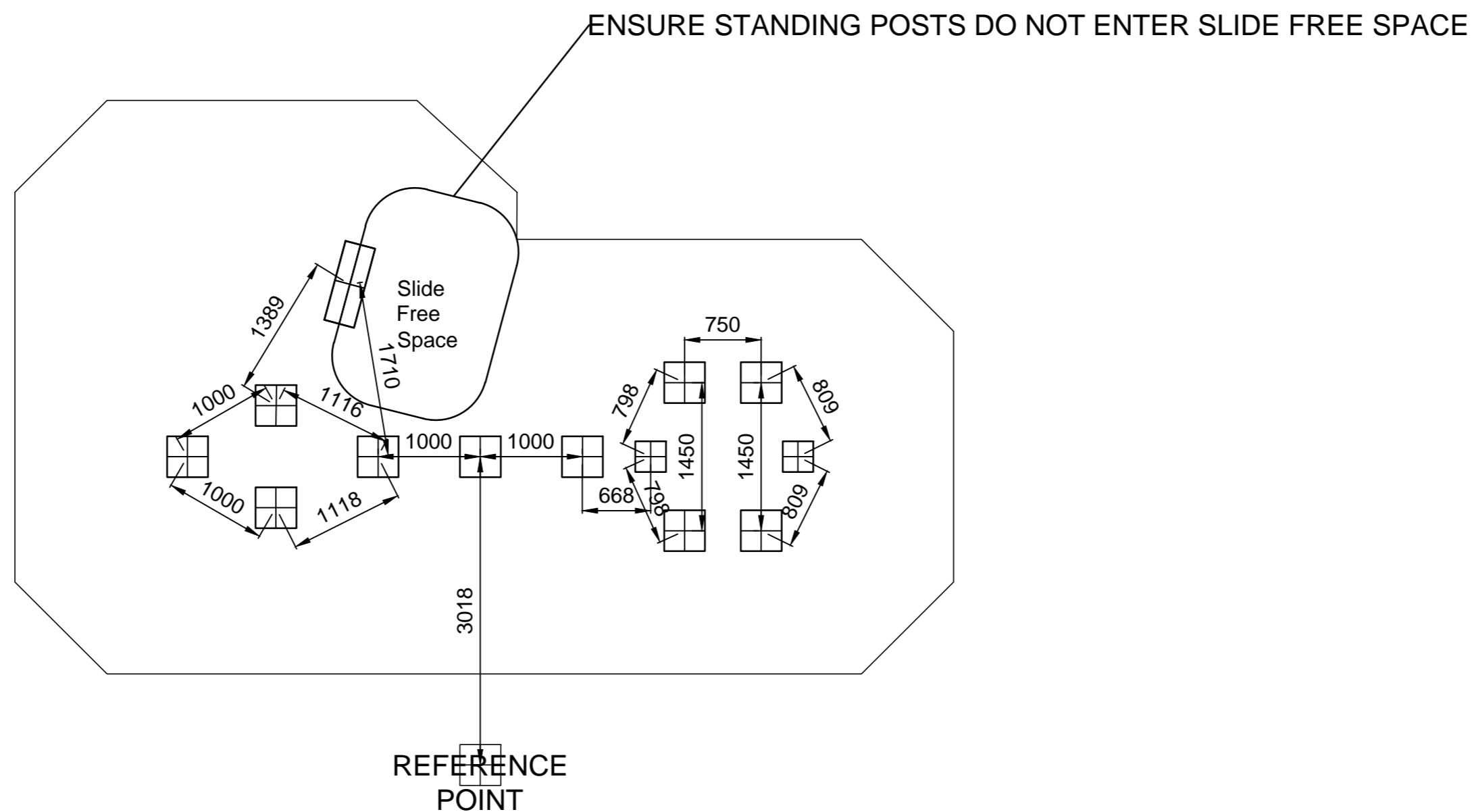


GROUND PLAN	CZU303
REV	00
DRAWN	IM
SCALE	1:50 @ A2
DATE	01.02.19
SAFETY AREA	AREA 44m ²
SURFACE PERIMETER	PERIMETER 27m
AREA	HIC 1.5M - 44m ²
HOLE A	300x300x600 DEEP
HOLE B	400x400x800 DEEP
HOLE C	300x800x600 DEEP
HOLE D	500x500x800 DEEP

PAGE 1 OF 3
DO NOT SCALE THIS DRAWING
SCALE 1:50 WHEN PRINTED ON A2

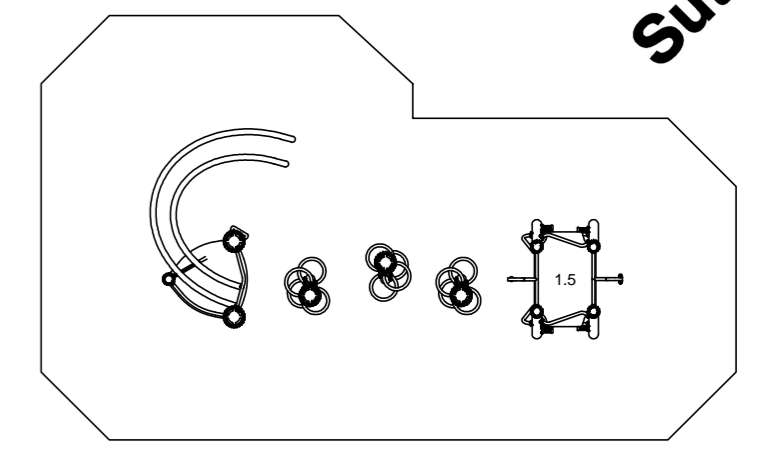
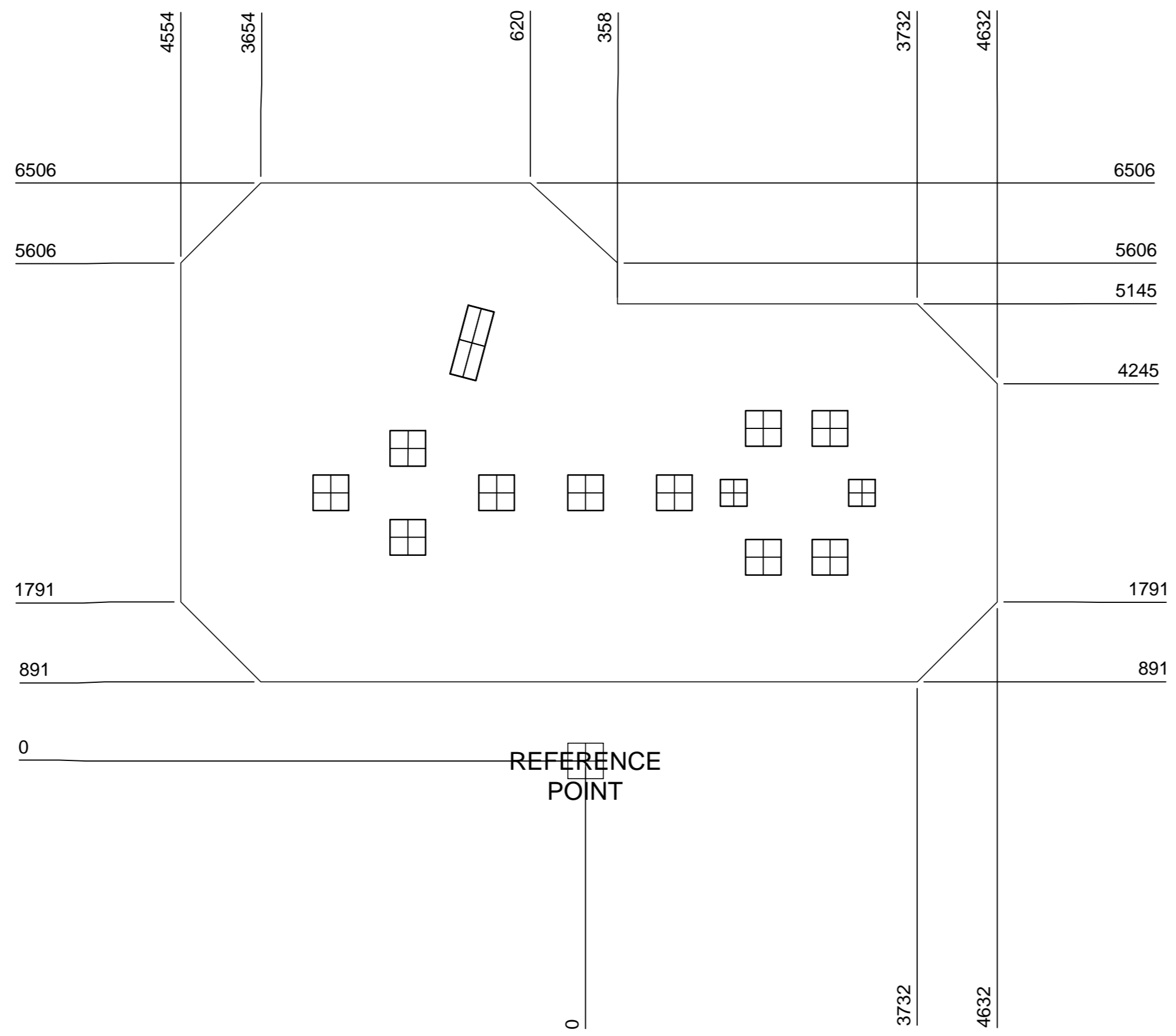


SCALE 1:100

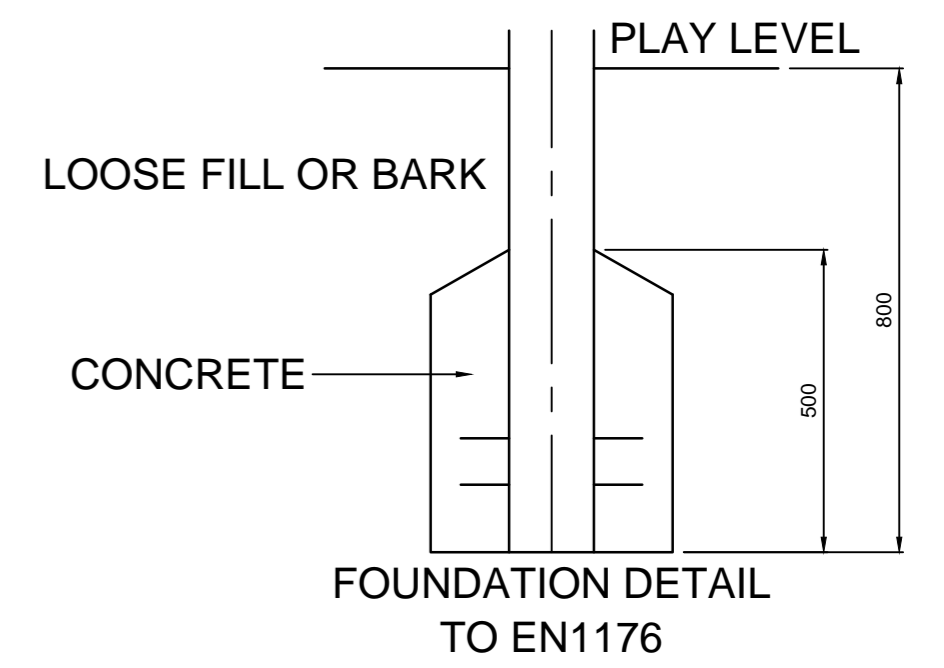


GROUND PLAN	CZU303
REV	00
DRAWN	IM
SCALE	1:50 @ A2
DATE	01.02.19
SAFETY SURFACE AREA	AREA 44m ² PERIMETER 27m HIC 1.5M - 44m ²
HOLE A	300x300x600 DEEP
HOLE B	400x400x800 DEEP
HOLE C	300x800x600 DEEP
HOLE D	500x500x800 DEEP

PAGE 2 OF 3
DO NOT SCALE THIS DRAWING
SCALE 1:50 WHEN PRINTED ON A2



SCALE 1:100



GROUND PLAN	CZU303
REV	00
DRAWN	IM
SCALE	1:50 @ A2
DATE	01.02.19
SAFETY SURFACE AREA	AREA 44m ² PERIMETER 27m HIC 1.5M - 44m ²
HOLE A	300x300x600 DEEP
HOLE B	400x400x800 DEEP
HOLE C	300x800x600 DEEP
HOLE D	500x500x800 DEEP

PAGE 3 OF 3
DO NOT SCALE THIS DRAWING
SCALE 1:50 WHEN PRINTED ON A2