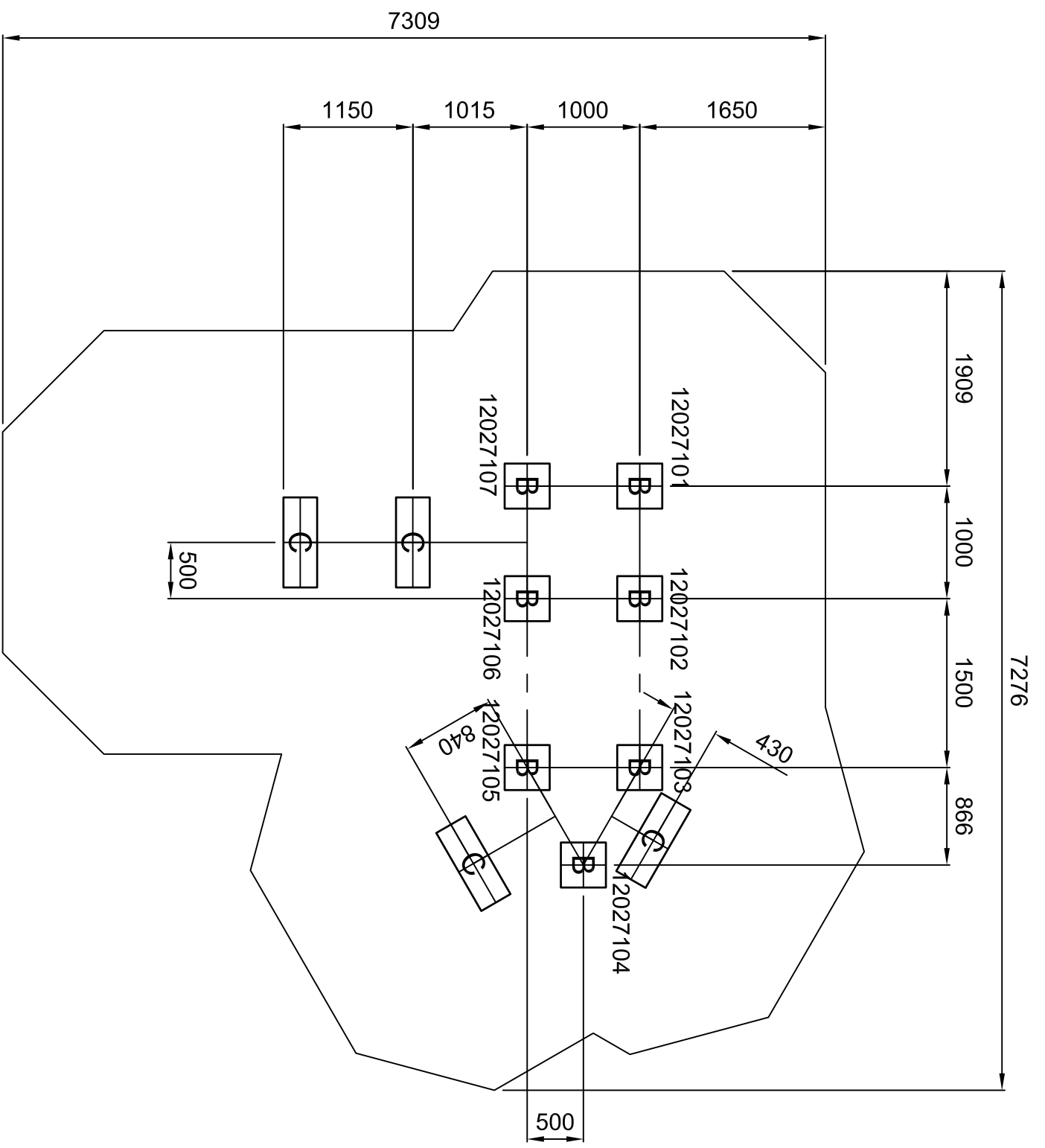
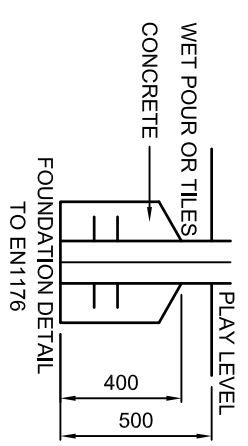


PLAN SCALE 1:100



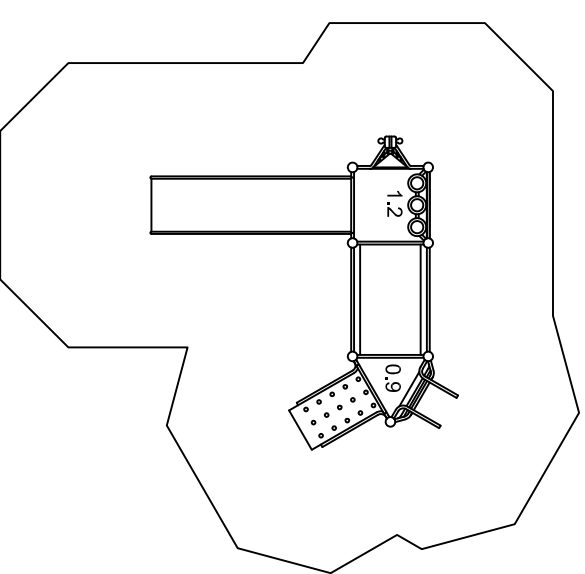
DO NOT SCALE THIS DRAWING
SCALE 1:50 WHEN PRINTED ON A3

SAFETY SURFACING
REQUIREMENTS TO EN 1176
PERIMETER 26M
AREA 40.5M²
HIC 1.2M

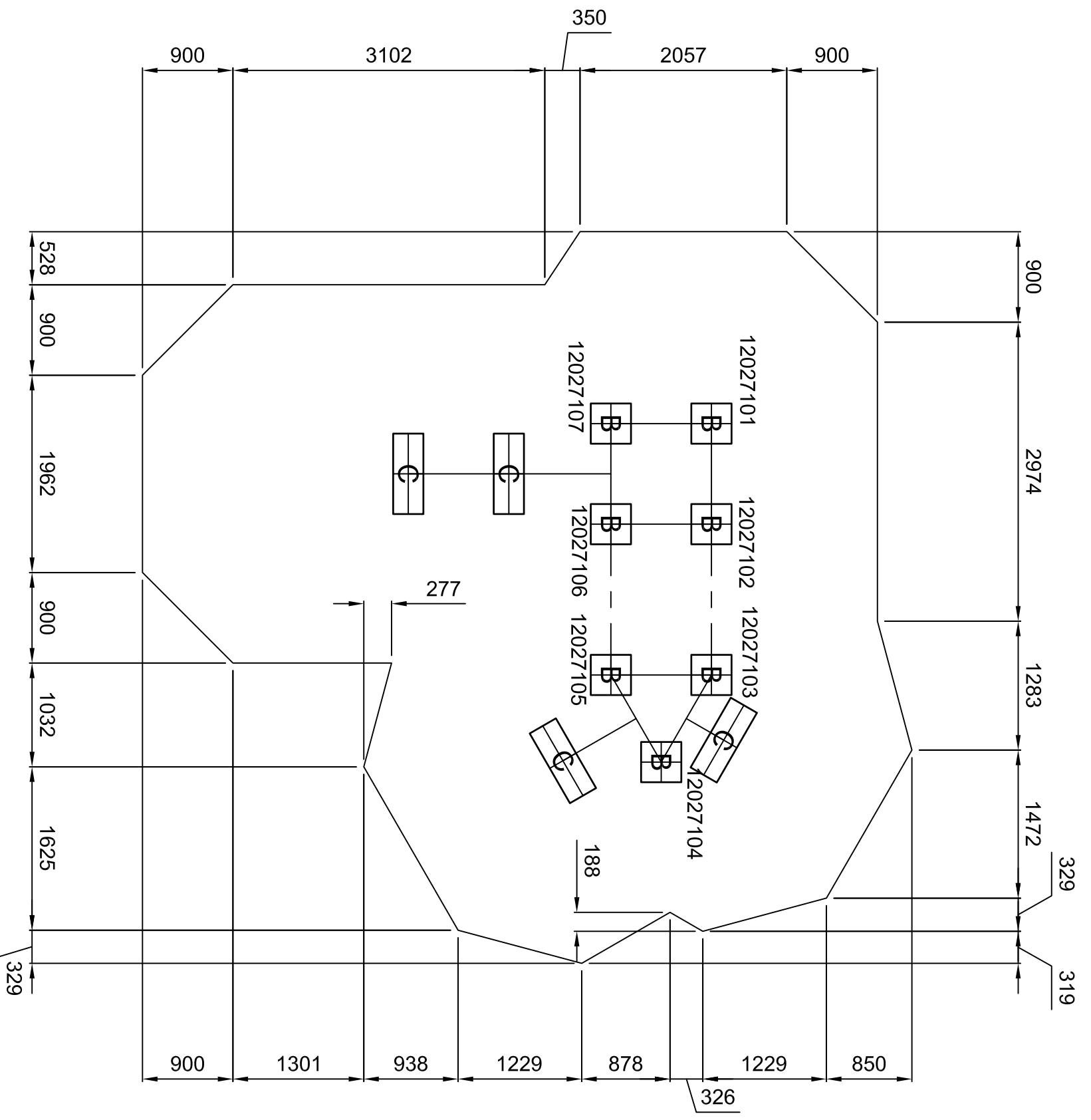


FOUNDATION DETAIL
TO EN1176

GROUND PLAN	DZW271(1)
REV	02
DRAWN	JPC
SCALE	1:50 @ A3
DATE	26/05/06
SAFETY SURFACE AREA	
HOLE A	300x300x800 DEEP
HOLE B	400x400x500 DEEP
HOLE C	300x800x800 DEEP

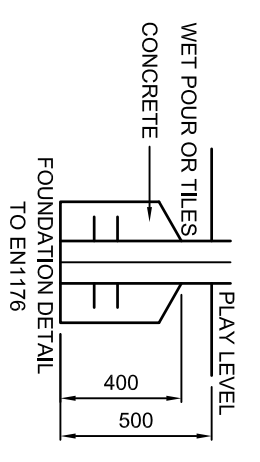


PLAN SCALE 1:100



DO NOT SCALE THIS DRAWING
SCALE 1:50 WHEN PRINTED ON A3

SAFETY SURFACING
REQUIREMENTS TO EN 1176
PERIMETER 26M
AREA 40.5M²
HIC 1.2M



GROUND PLAN	DZW271(2)
REV	01
DRAWN	JPC
SCALE	1:50 @ A3
DATE	13/09/05
SAFETY SURFACE AREA	
HOLE A	300x300x800 DEEP
HOLE B	400x400x500 DEEP
HOLE C	300x800x800 DEEP