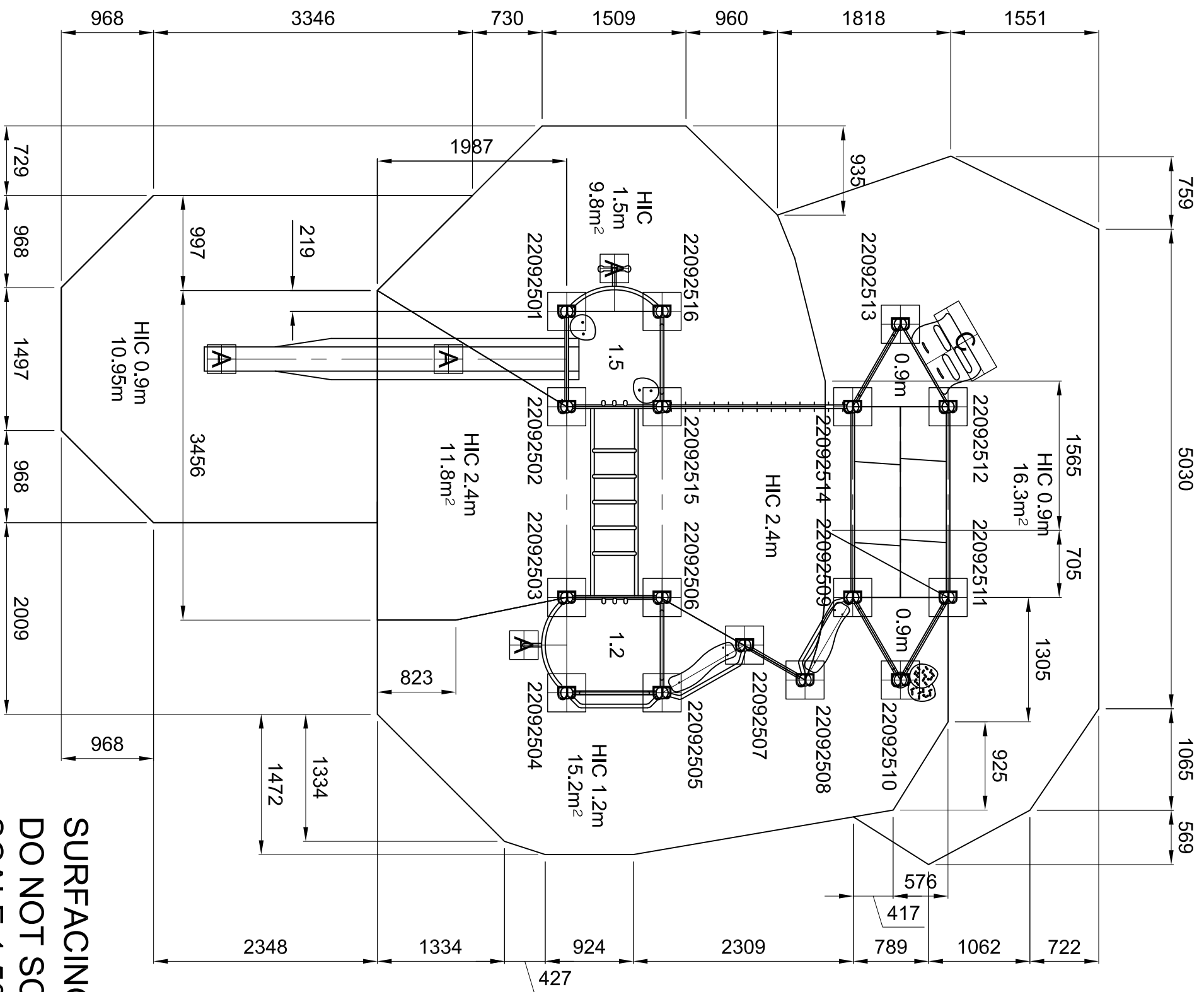
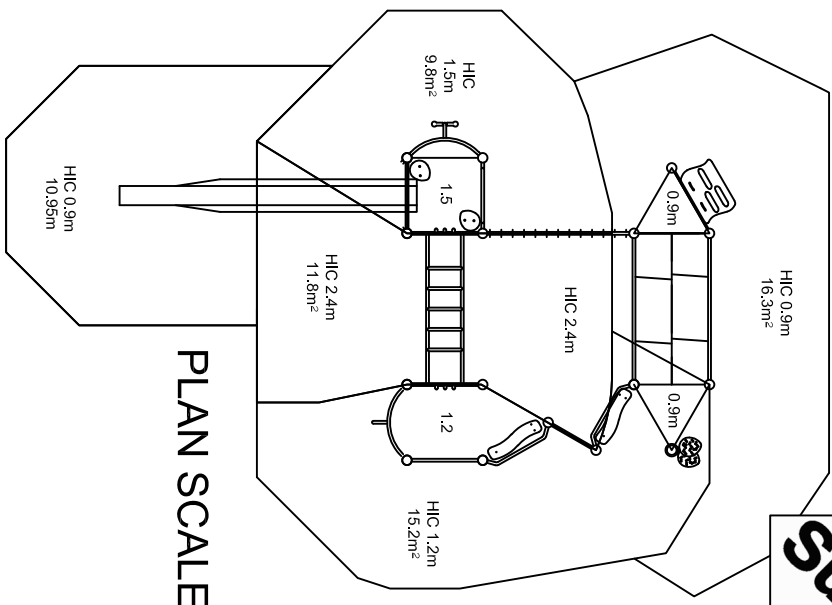


FALLING SPACE

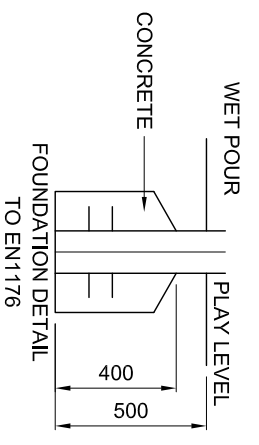


**SURFACING DETAILS**  
**DO NOT SCALE THIS DRAWING**  
**SCALE 1:50 WHEN PRINTED ON A3**



**SutcliffePlay**  
design  
make  
play

**PLAN SCALE 1:100**

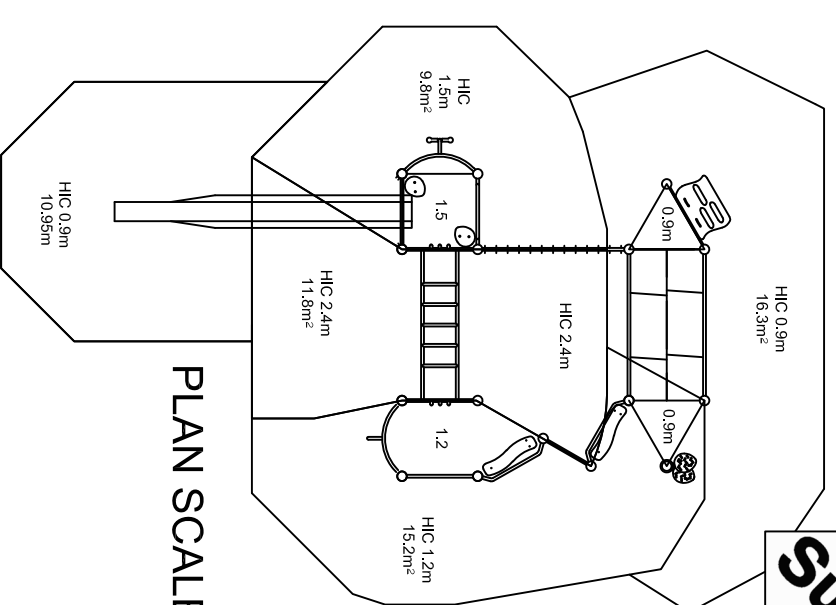
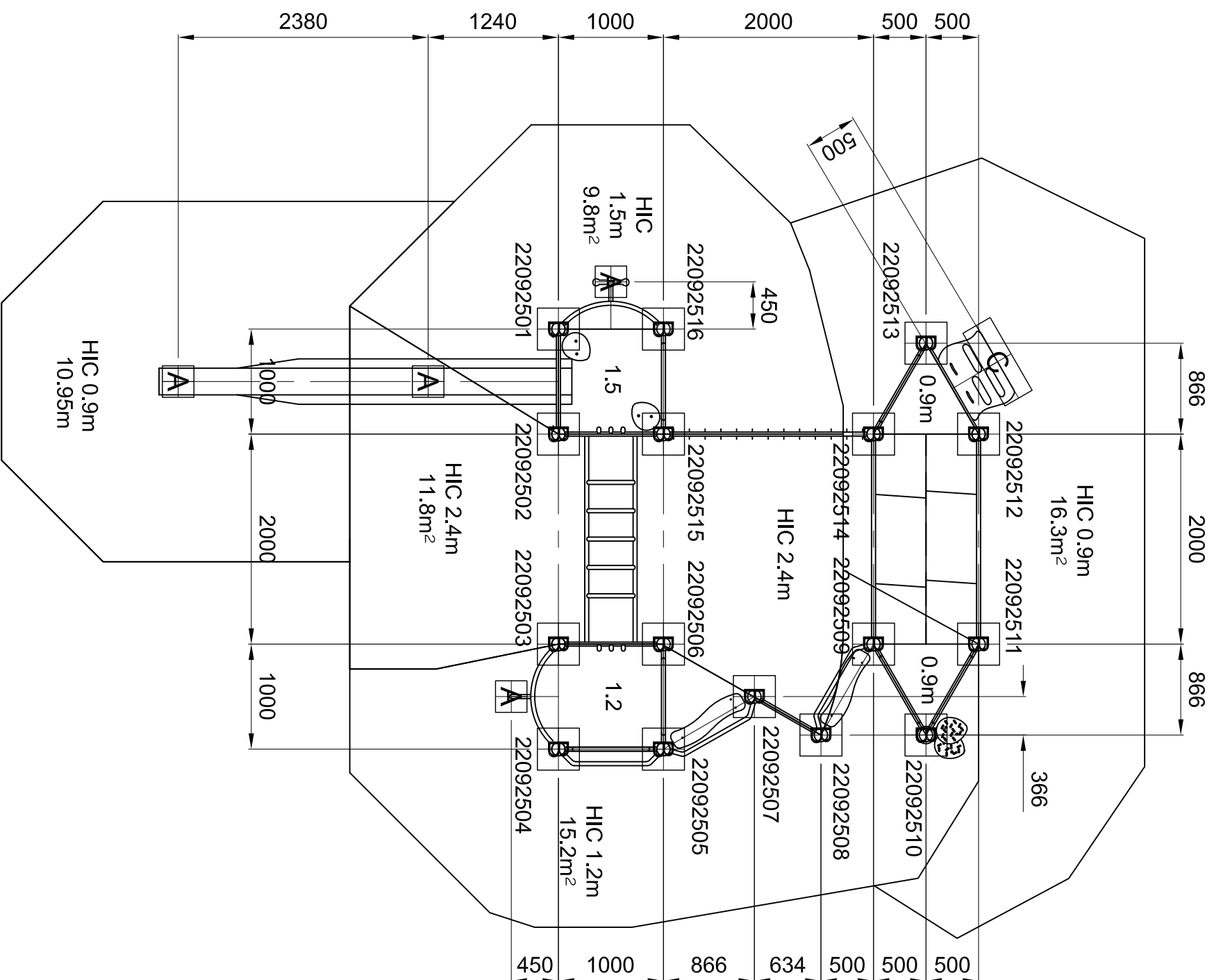


GROUND PLAN	<b>PZW925(2)</b>
REV	00
DRAWN	IM
SCALE	1:50 @ A3
DATE	20/01/2023
SAFETY SURFACE AREA	PERIMETER 33.5m
	HIC 0.9 - 2.4m
HOLE A	300x300x800 DEEP
HOLE B	400x400x500 DEEP
HOLE C	300x800x800 DEEP

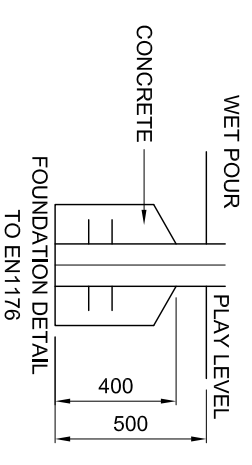
REQUIREMENTS TO EN1176

FOUNDATION DETAILS  
DO NOT SCALE THIS DRAWING  
SCALE 1:50 WHEN PRINTED ON A3

**SutcliffePlay**  
design  
make  
play



PLAN SCALE 1:100



FOUNDATION DETAIL  
TO EN1176

REQUIREMENTS  
TO EN1176

GROUND PLAN	<b>PZW925(1)</b>
REV	00
DRAWN	IM
SCALE	1:50 @ A3
DATE	20/01/2023
SAFETY PERIMETER	33.5m
SURFACE AREA	HIC 0.9 - 2.4m 64.05m <sup>2</sup>
HOLE A	300x300x800 DEEP
HOLE B	400x400x500 DEEP
HOLE C	300x800x800 DEEP