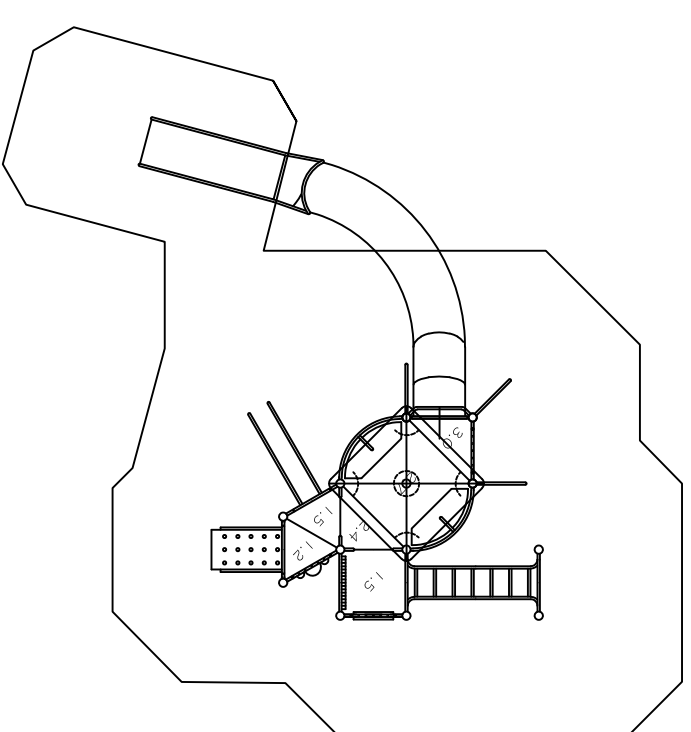
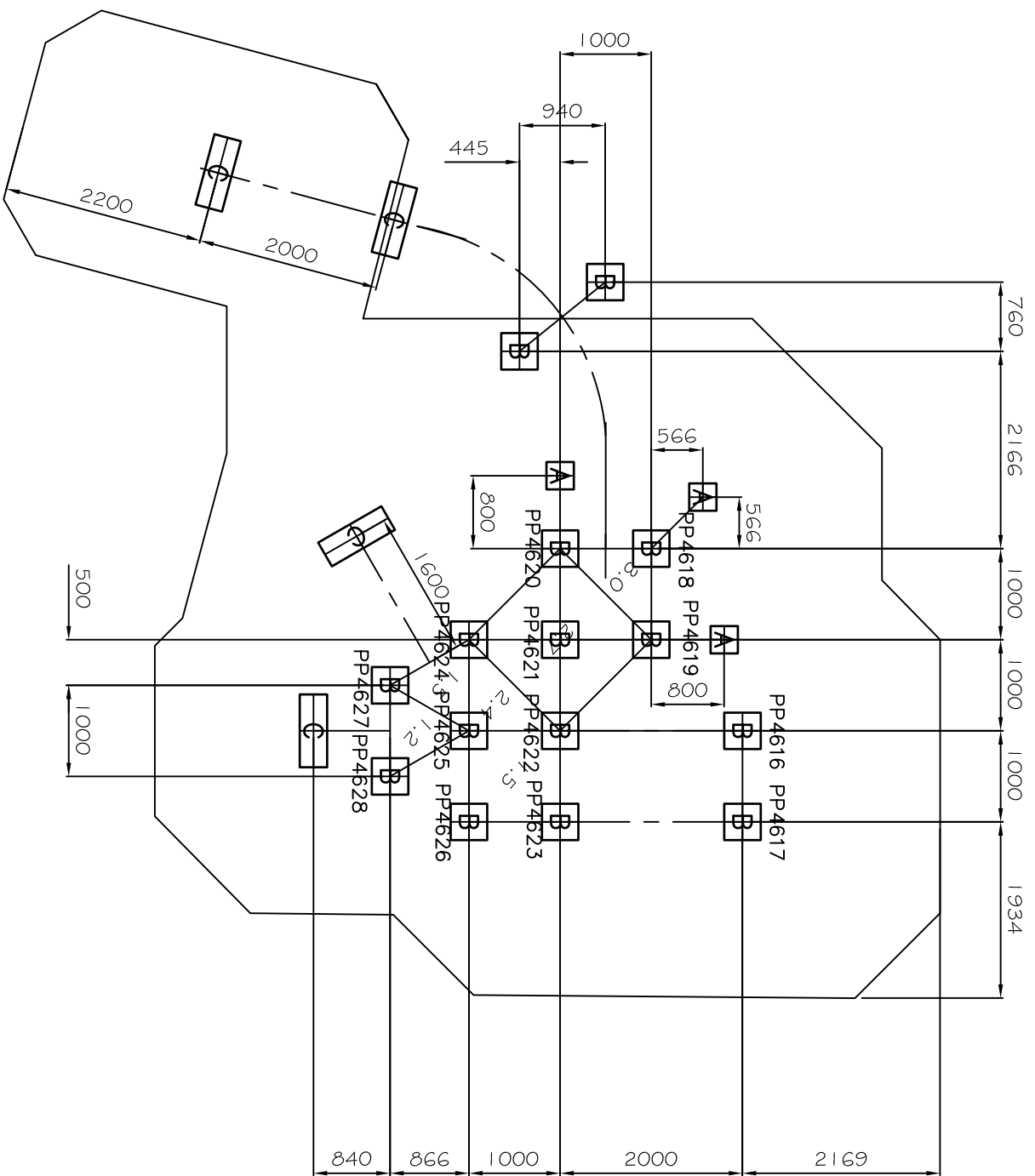
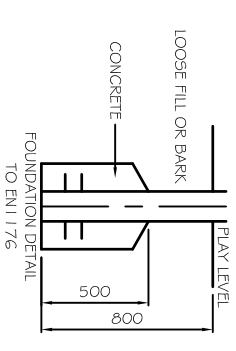


GROUND PLAN PZU627(2)	
PLAN	PZU627(2)
REV	02
DRAWN	MAL
SCALE	1:50
DATE	10/10/16
SAFETY SURFACE AREA	HIC 2.4m
AREA	66.1m ²
HOLE A	300x300x800 DEEP
HOLE B	400x400x800 DEEP
HOLE C	300x800x800 DEEP

PLEASE NOTE THAT DIMENSIONS FOR HOLES FOR THE SLIDE PEDESTALS ARE A GUIDE ONLY. EACH SLIDE IS UNIQUE AND EXACT POSITIONS CAN NOT BE DETERMINED UNTIL THE UNIT IS IN POSITION AND THE SLIDE HAS BEEN HOISTED UP.



SCALE 1:100



GROUND PLAN	PZU627(1)
REV	02
DRAWN	MAL
SCALE	1:50
DATE	10/10/16
SAFETY SURFACE	HIC 2.4m ²
AREA	AREA: 66.1m ²
HOLE A	300x300x800 DEEP
HOLE B	400x400x800 DEEP
HOLE C	300x800x800 DEEP