

design
make
play

SutcliffePlay

Waggon Lane
Upton Pontefract
West Yorkshire WF9 1JS
Telephone +44 (0) 1977 653200
Facsimile +44 (0) 1977 653222
info@sutcliffeplay.co.uk
www.sutcliffeplay.co.uk

Playzone

Installation Instructions

PZU627

PZU627

Playzone Unit

Installation Instructions

design
make
play
SutcliffePlay

- 1 Check using the Parts List that none of the components are missing.
- 2 Plan the final position of the play equipment ensuring there is sufficient space.
- 3 Stainless steel slides should face north or be shaded to prevent over heating. Slide run-outs should be inclined downwards by approximately 2 degrees for drainage purposes.
- 4 Excavate the foundation holes in accordance with the plan.
- 5 Sort and identify parts before assembly. Each leg is numbered to correspond with the foundation plan.
- 6 Position 2 off 300 long spragging irons into the holes provided in each post upright and stand in the foundation holes. Assemble the decks at the positions marked on the posts.

Important Note:

Do not tighten the fixing bolts until all the activities have been assembled!

- 7 Assemble the activities onto the posts. Leave fixing bolts loose until all the activities have been assembled.
- 8 Fill the foundation holes to the required depth with concrete.
- 9 Do not allow the equipment to be used until the concrete has set (2 - 3 days) and the required safety surfacing has been installed.
- 10 Tighten all fixing bolts.
- 11 Follow the maintenance instructions supplied.

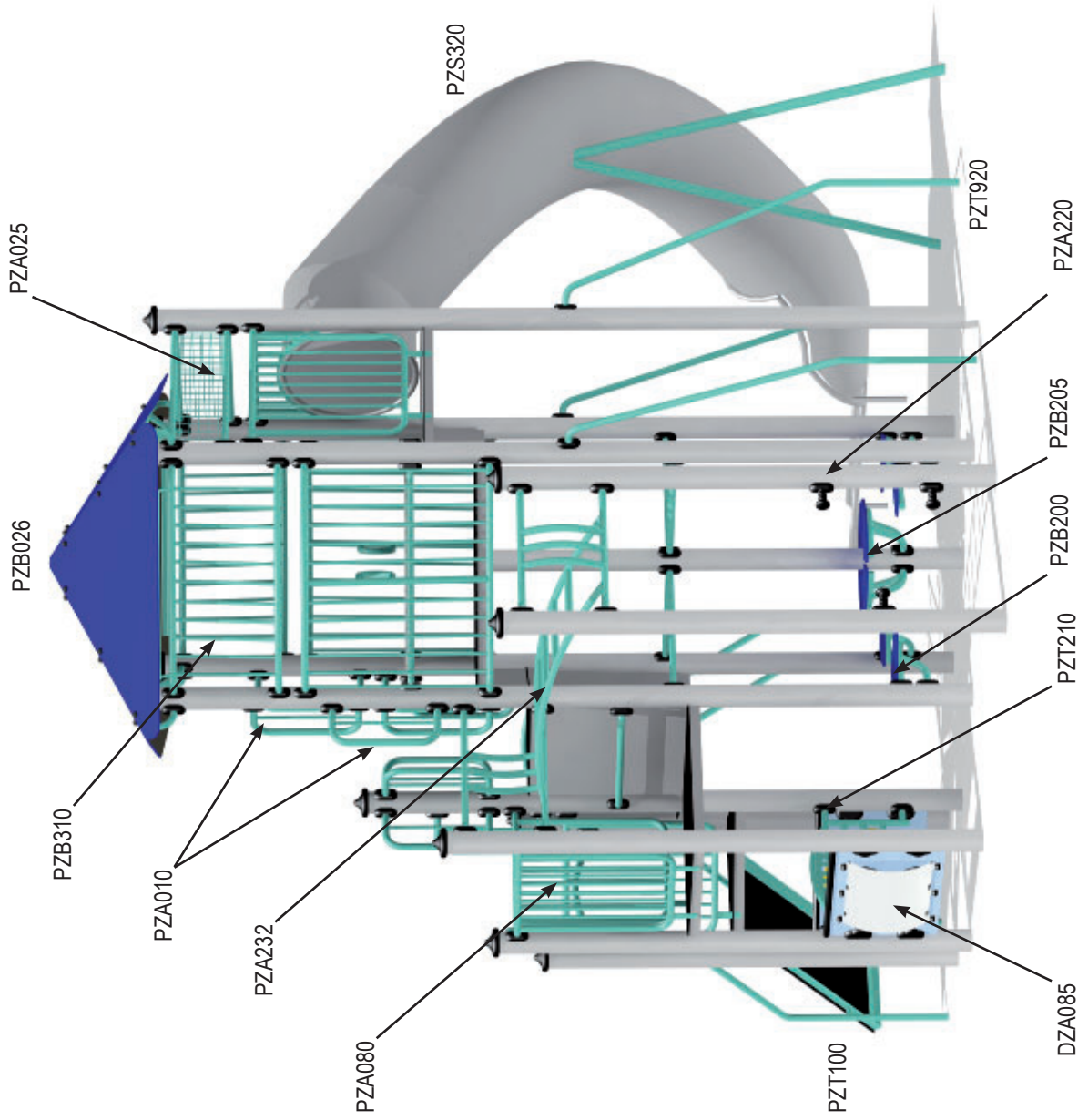
NB

During installation care must be taken to prevent hazards to children. Extra care should be taken if conditions are abnormal.

PZU627

Playzone Unit

Parts list



cutliffplay
design
make
play

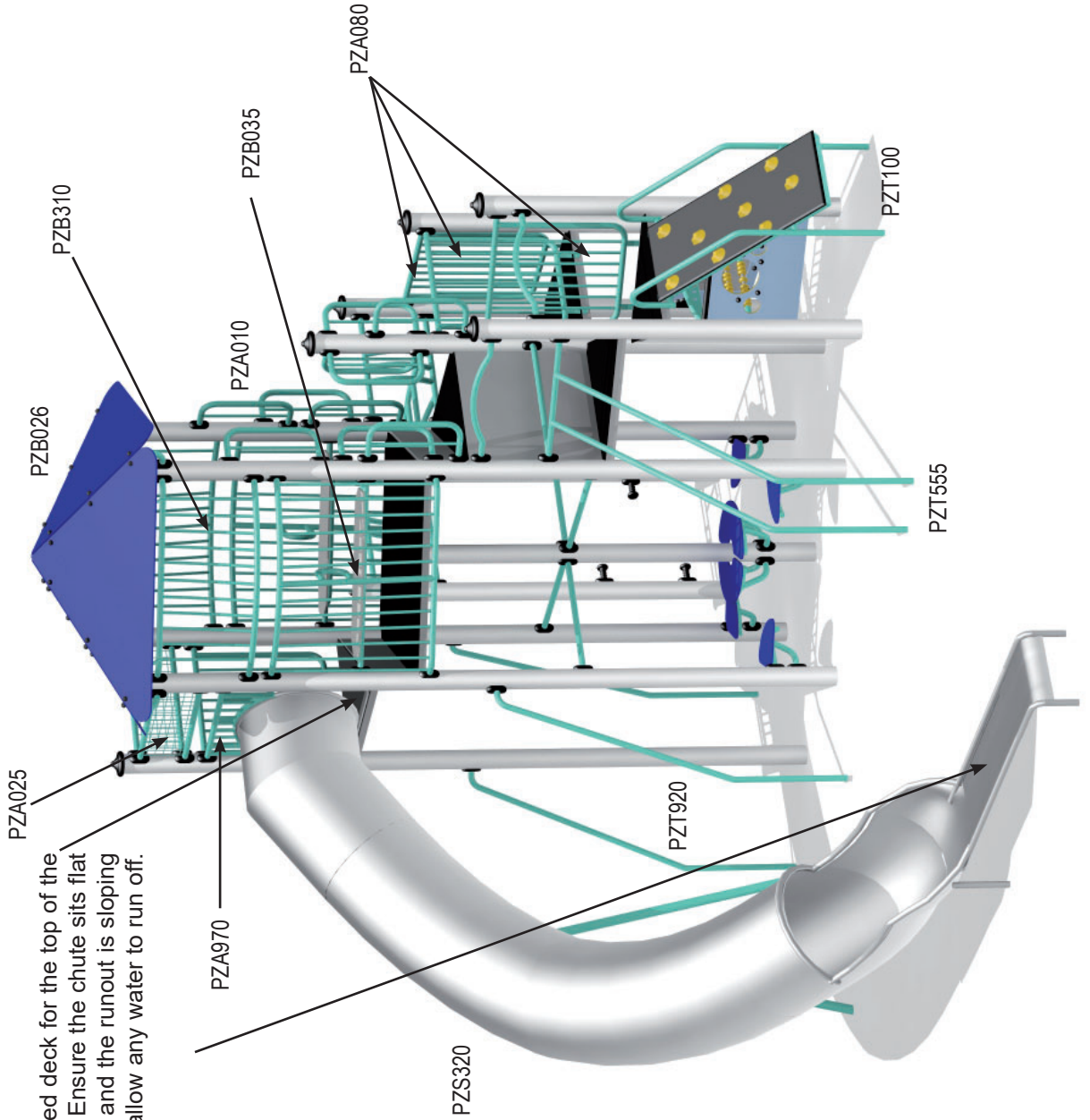
Ref	Description	Qty
PZB100	1.4m Square deck	1
PZB110	45 Deg triangular deck	2
PZD200	Triangular deck	2
PZD100	Square deck	1
PZS320	3m Elbow chute	1
PZA970	Chute entrance barrier	1
PZA025	Mesh infill panel	2
PZB035	1.4m Wide seat rail	2
PZB030	1.4m Wide seat	2
PZB200	Corner seat	4
PZB205	Table	1
PZB310	Curved roof barrier	2
PZB026	1.4m Square Roof Panels	4
PZB022	Roof Support Plates	4
PZB024	Roof Support Rails	4
PZA212	1m Straight rails	2
PZT920	Long bracing leg	4
PZB210	1.4m Deck infill panel	3
DZD340	1m Infill panel	2
PZA210	1m Single rung	2
PZA010	D-rails	9
PZA232	2m Inclined hand over hand	1
PZA220	Hand/foot holds	3
PZT555	1.5m Slide bars	1
PZT226	Arch top rail	2
PZT100	1.2m Climb up ramp	1
PZA080	High steel barrier	4
DZA070	Head through panel	1
DZA085	Mirror panel	1
PZT210	Abacus rail	1
PZU627F	Loose fixings	1 set
PPU627	Posts (set of 13)	1 set

PZU627

Playzone Unit

Parts list

Use predrilled deck for the top of the tunnel chute. Ensure the chute sits flat on the deck and the runoff is sloping down to allow any water to run off.



Ref	Description	Qty
PZB100	1.4m Square deck	1
PZB110	45 Deg triangular deck	2
PZD200	Triangular deck	2
PZD100	Square deck	1
PZS320	3m Elbow chute	1
PZA970	Chute entrance barrier	1
PZA025	Mesh infill panel	2
PZB035	1.4m Wide seat rail	2
PZB030	1.4m Wide seat	2
PZB200	Corner seat	4
PZB205	Table	1
PZB310	Curved roof barrier	2
PZB026	1.4m Square Roof Panels	4
PZB022	Roof Support Plates	4
PZB024	Roof Support Rails	4
PZA212	1m Straight rails	4
PZT920	Long bracing leg	3
PZB210	1.4m Deck infill panel	2
DZD340	1m Infill panel	2
PZA210	1m Single rung	2
PZA010	D-rails	9
PZA232	2m Inclined hand over hand	1
PZA220	Hand/foot holds	3
PZT555	1.5m Slide bars	1
PZT226	Arch top rail	2
PZT100	1.2m Climb up ramp	1
PZA080	High steel barrier	4
DZA070	Head through panel	1
DZA085	Mirror panel	1
PZT210	Abacus rail	1
PZU627F	Loose fixings	1 set
PPU627	Posts (set of 13)	1 set

Sutcliffe Play
 design
 make
 play

PZU627

Playzone Unit

Maintenance Instructions



Recommended Regular Inspection and Maintenance

	Interval Days				
	7	14	28	56	365
Check stability of structure, tighten connections if required.	<input type="checkbox"/>	<input type="checkbox"/>	<input type="checkbox"/>	<input checked="" type="checkbox"/>	<input type="checkbox"/>
Check all uprights at ground level for corrosion and/or rot. Replace any defective parts.	<input type="checkbox"/>	<input type="checkbox"/>	<input type="checkbox"/>	<input type="checkbox"/>	<input checked="" type="checkbox"/>
Check all painted elements for damage, rub down and repaint or replace as required.	<input type="checkbox"/>	<input type="checkbox"/>	<input type="checkbox"/>	<input checked="" type="checkbox"/>	<input type="checkbox"/>
Check chain/ropework assemblies for wear and damage, replace if required.	<input type="checkbox"/>	<input checked="" type="checkbox"/>	<input type="checkbox"/>	<input type="checkbox"/>	<input type="checkbox"/>
Check rotating and pivot points for wear and smooth running lubricate or replace if required.	<input type="checkbox"/>	<input type="checkbox"/>	<input checked="" type="checkbox"/>	<input type="checkbox"/>	<input type="checkbox"/>
Check rubber parts for wear and/or damage, replace if required.	<input type="checkbox"/>	<input type="checkbox"/>	<input checked="" type="checkbox"/>	<input type="checkbox"/>	<input type="checkbox"/>
Check tension cables, adjust if required.	<input type="checkbox"/>	<input type="checkbox"/>	<input checked="" type="checkbox"/>	<input type="checkbox"/>	<input type="checkbox"/>
Check wear of cables, replace if required.	<input type="checkbox"/>	<input type="checkbox"/>	<input checked="" type="checkbox"/>	<input type="checkbox"/>	<input type="checkbox"/>
Check slide chutes for smoothness and any foreign elements, remove any found.	<input type="checkbox"/>	<input type="checkbox"/>	<input checked="" type="checkbox"/>	<input type="checkbox"/>	<input type="checkbox"/>
Check rubber safety surfaces for damage and poor performance, repair or replace if required.	<input type="checkbox"/>	<input type="checkbox"/>	<input type="checkbox"/>	<input checked="" type="checkbox"/>	<input type="checkbox"/>
Check loose fill safety surfaces, remove any foreign elements, rake level and top up if required.	<input type="checkbox"/>	<input type="checkbox"/>	<input checked="" type="checkbox"/>	<input type="checkbox"/>	<input type="checkbox"/>

Disposal Instructions

All components should be broken down into categories of:-

- 1 Mild Steel - all Swing Frames, Playzone, Toddlerzone, Teenzone activities, Deck Frames.
- 2 Stainless Steel - all Slides, Mirror Panels.
- 3 Aluminium - all Playzone and Toddlerzone Posts.
- 4 Galvanised Steel - all Chains and Teenzone Posts.
- 5 Moulded Rubber Products without steel inserts - all Toddlerzone Caps and edge details.
- 6 Timber - all natural timber, plywood, and MDF panels.

Wherever possible these materials should be taken to specialist recycling organisations and recycled.

In some cases where composite materials are used, then disposal at land fill sites is the only alternative such as:

- 7 Moulded Rubber Products encasing steel inserts - all Swing Seats, Deck Tops, Duo/Dizzy Disc Tops.
- 8 High Pressure Laminate - all Toddlerzone, Playzone and Teenzone Panels.
- 9 Steel Core Polypropylene Rope - all Scramble Nets, Space Nets, Playzone/Toddlerzone Ropes.