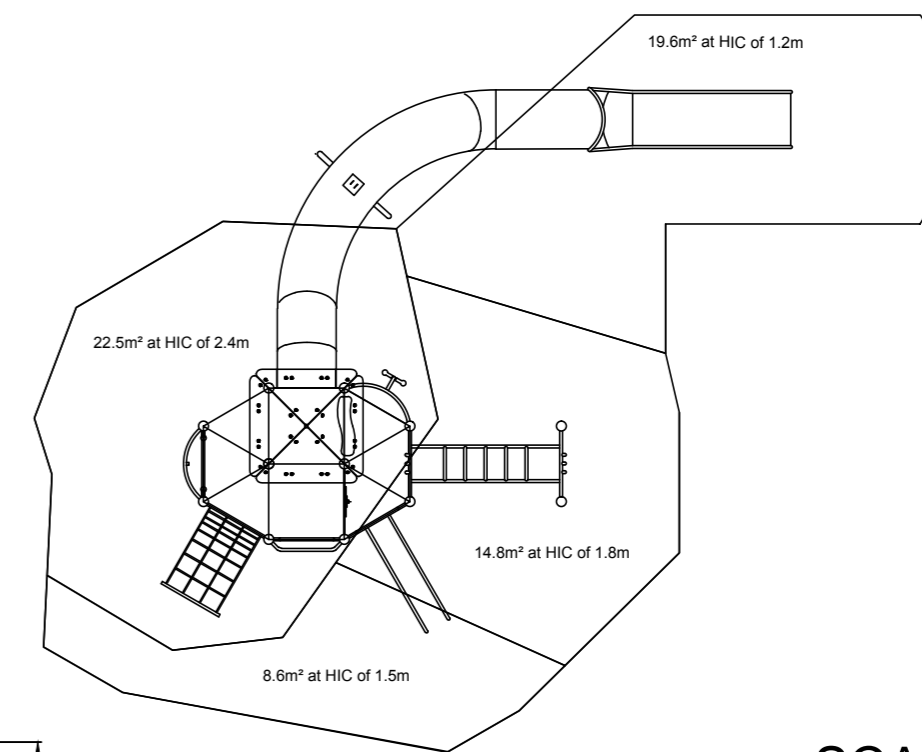
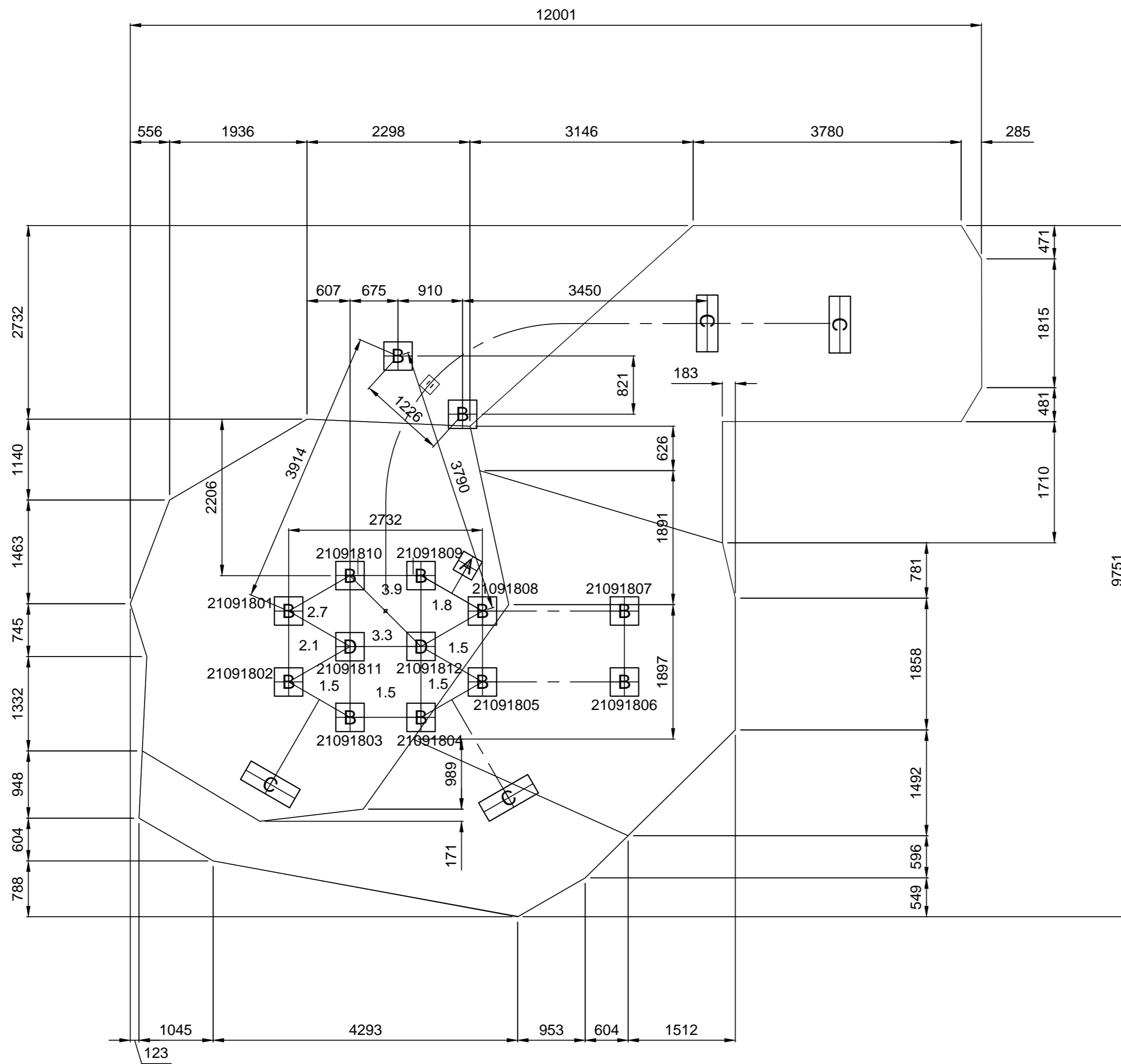


SAFETY SURFACE AREA

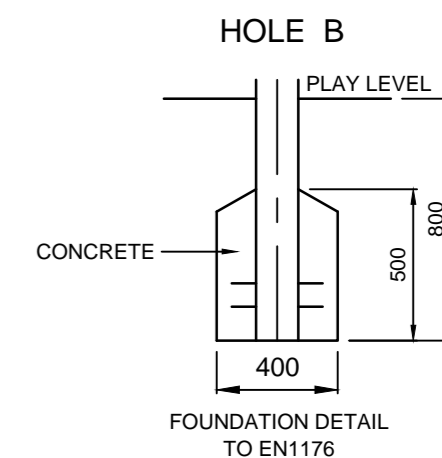
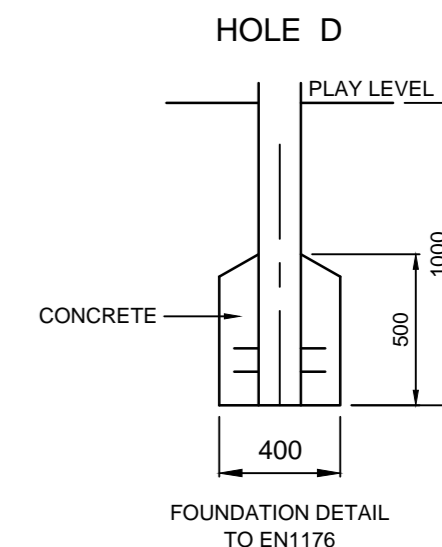
AREA - 65.5m²
PERIMETER - 35.2 Lm
HIC 1.2 - 19.6m²
HIC 1.5 - 8.6m²
HIC 1.8 - 14.8m²
HIC 2.4 - 22.5m²

| | |
|--------------------------|------------------|
| GROUND PLAN | PZW918(1) |
| REV | 00 |
| DRAWN | IM |
| SCALE | 1:50 |
| DATE | 30/03/2021 |
| HOLE A 300x300x800 DEEP | |
| HOLE B 400x400x800 DEEP | |
| HOLE C 300x800x800 DEEP | |
| HOLE D 400x400x1000 DEEP | |

DO NOT SCALE THIS DRAWING
SCALE 1:50 WHEN PRINTED ON A2



SCALE 1:100



SAFETY
SURFACE
AREA
SAFETY
SURFACE
AREA

AREA - 65.5m²
PERIMETER - 35.2 Lm
HIC 1.2 - 19.6m²
HIC 1.5 - 8.6m²
HIC 1.8 - 14.8m²
HIC 2.4 - 22.5m²

| | |
|--------------------------|------------|
| GROUND PLAN | PZW918(2) |
| REV | 00 |
| DRAWN | IM |
| SCALE | 1:50 |
| DATE | 30/03/2021 |
| HOLE A 300x300x800 DEEP | |
| HOLE B 400x400x800 DEEP | |
| HOLE C 300x800x800 DEEP | |
| HOLE D 400x400x1000 DEEP | |

DO NOT SCALE THIS DRAWING
SCALE 1:50 WHEN PRINTED ON A2