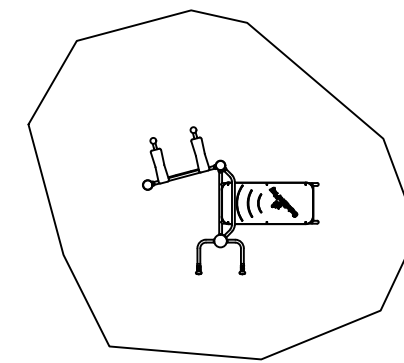
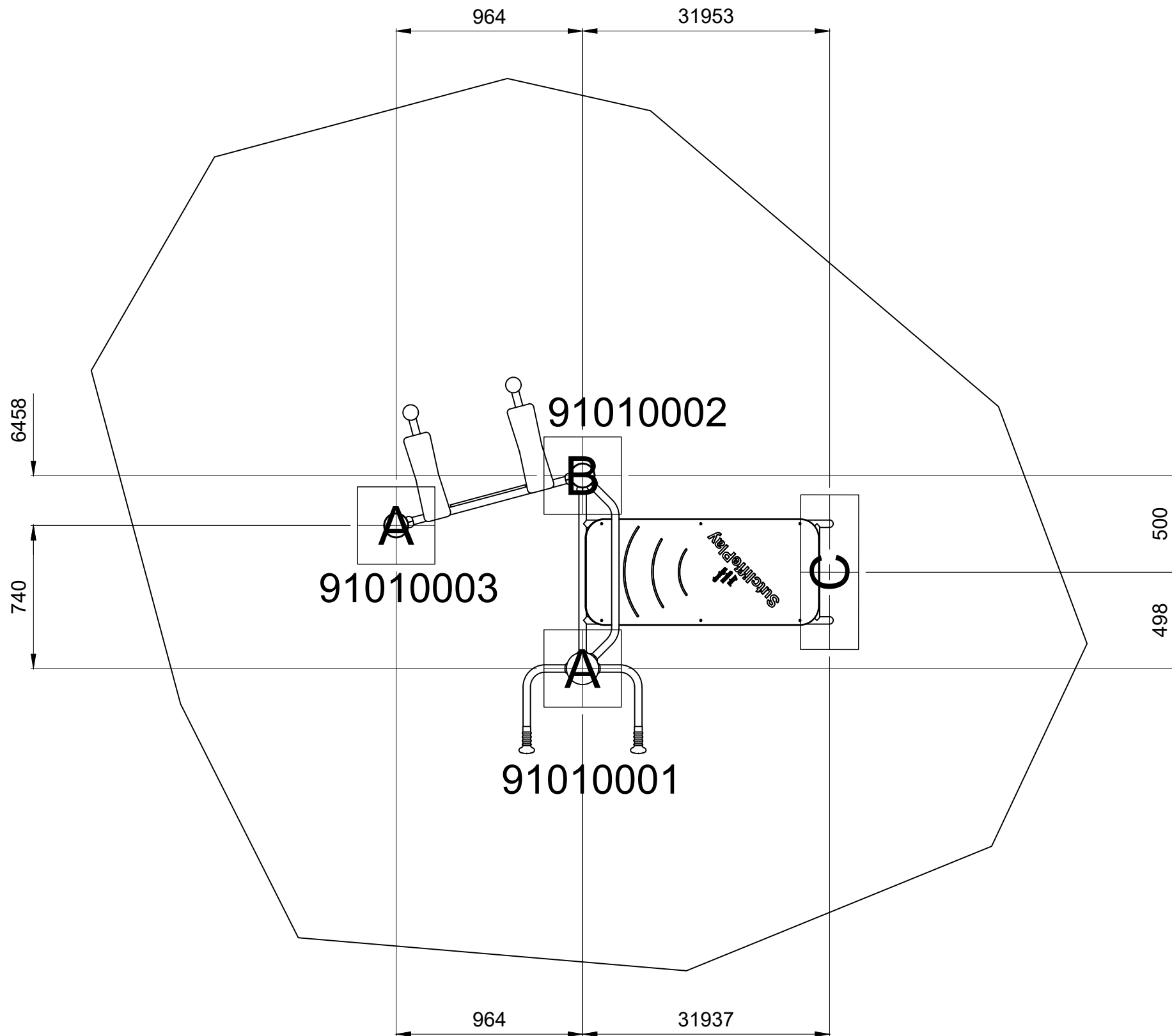
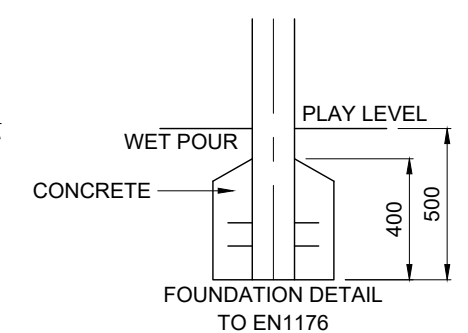
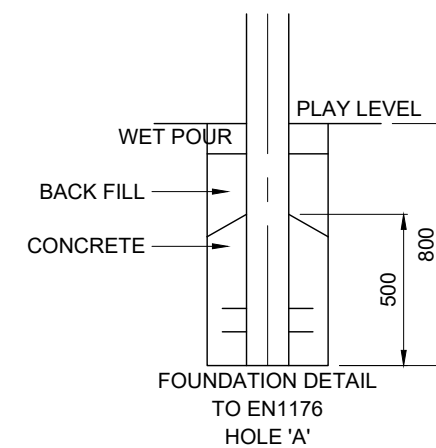


FOUNDATION DETAILS  
 DO NOT SCALE THIS DRAWING  
 SCALE 1:25 WHEN PRINTED ON A3

design  
 make  
 play  
**SutcliffePlay**



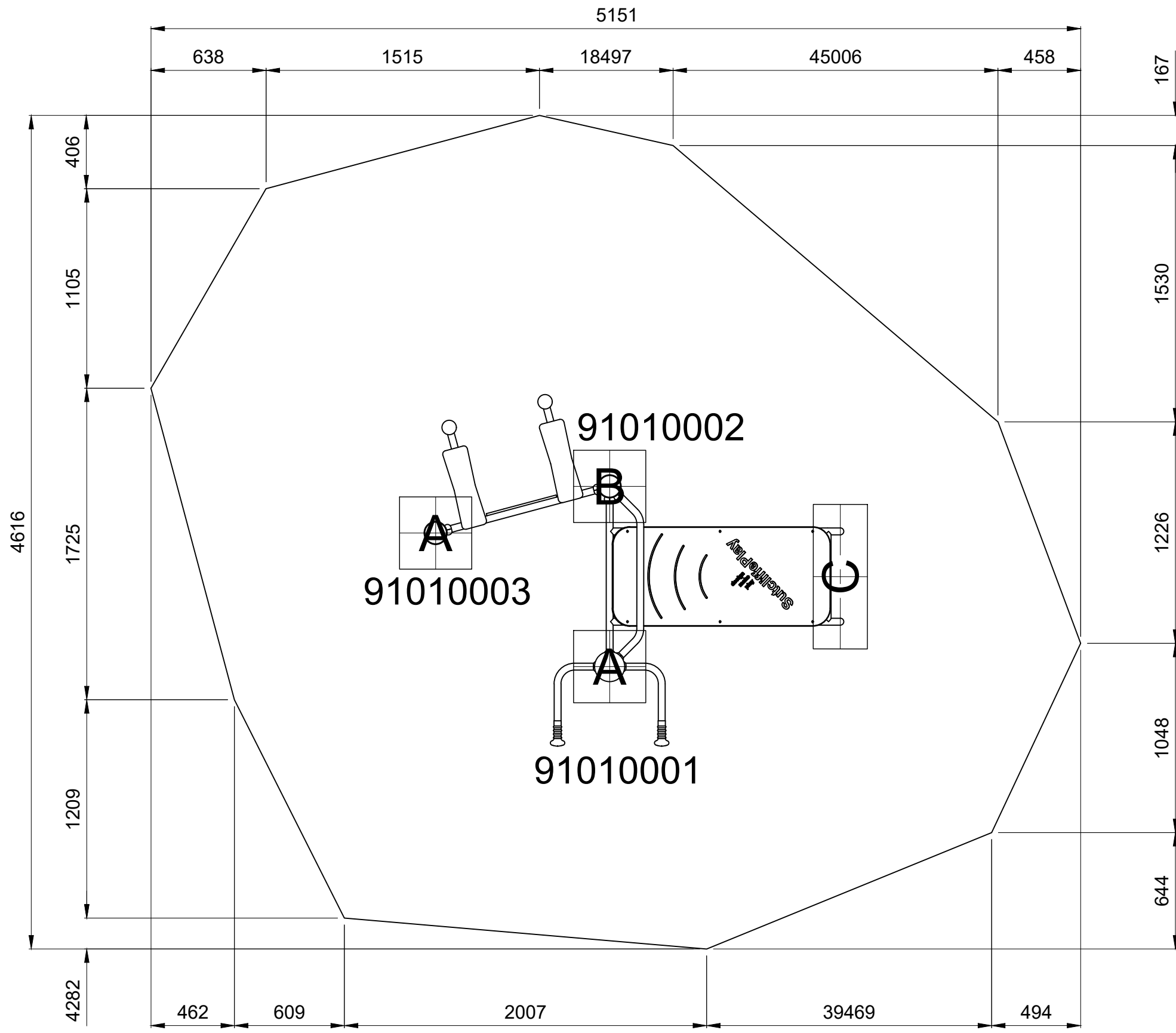
PLAN SCALE 1:100



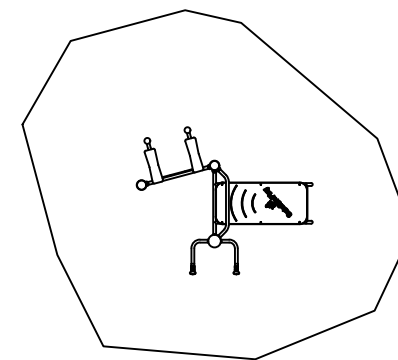
REQUIREMENTS TO EN1176

GROUND PLAN	<b>FIT100(1)</b>
REV	00
DRAWN	RS
SCALE	1:25 @ A3
DATE	07/01/2022
SAFETY SURFACE AREA	PERIMETER 15.29m HIC N/A AREA 17.29m <sup>2</sup>
HOLE A	400x400x800 DEEP
HOLE B	400x400x500 DEEP
HOLE C	300x800x800 DEEP

**SURFACING DETAILS**  
**DO NOT SCALE THIS DRAWING**  
**SCALE 1:25 WHEN PRINTED ON A3**



**FALLING SPACE**



**PLAN SCALE 1:100**

REQUIREMENTS  
TO EN1176

GROUND PLAN	<b>FIT100(2)</b>
REV	00
DRAWN	RS
SCALE	1:25 @ A3
DATE	07/01/2022
SAFETY	PERIMETER 15.29m
SURFACE	HIC N/A
AREA	AREA 17.29m <sup>2</sup>
HOLE A	400x400x800 DEEP
HOLE B	400x400x500 DEEP
HOLE C	300x800x800 DEEP