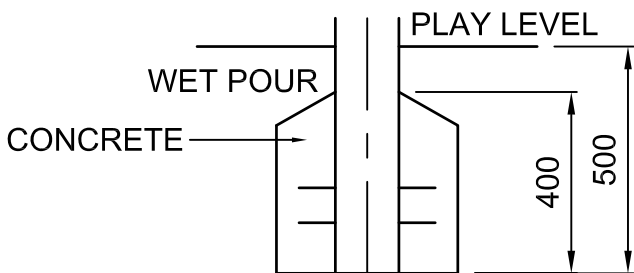
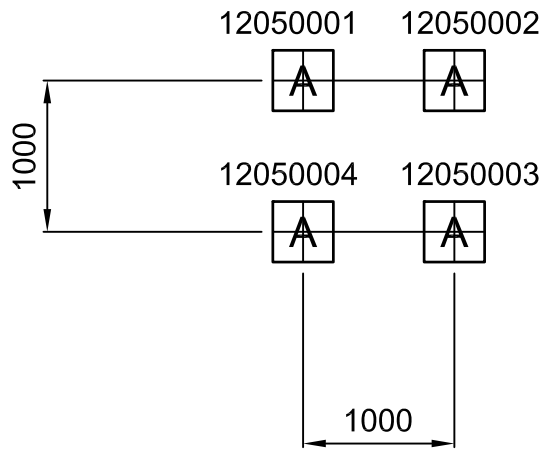


MINIMUM  
USE ZONE

AREA: 16.9m<sup>2</sup>  
PERIMETER: 15.1m



FOUNDATION DETAIL  
TO EN1176

GROUND PLAN	<b>DZW500</b>
REV	00
DRAWN	SH
SCALE	1:50
DATE	13.07.21
HOLE A: 400x400x500 DEEP	