

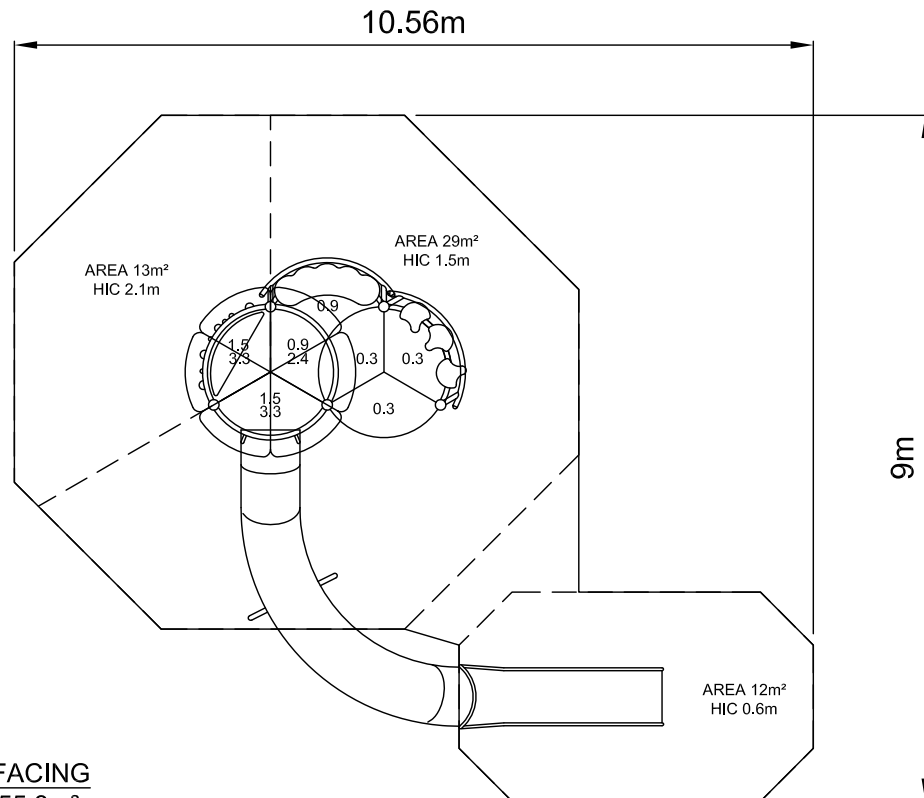
Meet & Slide Unit TZU205

Dwn AG Scale 1:100@A4 09.07.08

Rev 01 - 31.07.18

Good design
for children

SutcliffePlay



SAFETY SURFACING

TOTAL AREA 55.8m²

TOTAL PERIMETER 34.2m

TOWER AREA 42m²

RUNOUT AREA 12m²

TOWER HIC 2.1m 26m²

TOWER HIC 1.5m 29m²

RUNOUT HIC 0.6 12m²

PRODUCT SPECIFICS

Age Range 6 - 14 years

Play Type Physical, social

UNIT INCLUDES

		QTY
TZA010	Six panel roof	1
TZA013	Roof support barriers	3
TZA015	Chute entrance barrier	1
TZA080	Standard barriers	3
TZA260	Internal curved seat	1
TZA035	Internal ladders	2
SCP340	3.3m Curved tunnel chute	1
TZA001	Rotating saddle seats	1
TZA040	Internal hand rail	1
TZA140	Curved climbing wall	1
TZA145	Flexi climb	1
TZD100	Decks	10
TZA018	Guards rails	2
POSTS	21.63m	

**DO NOT SCALE FROM THIS DRAWING
THIS DRAWING MUST NOT BE USED
FOR INSTALLATION PURPOSES.**

Part of this unit is suitable for grass installation without safety surfacing if it is sited in a low usage playground in the UK. However wear pads of impact absorbing surfacing may be required under areas that sustain intensive use e.g. under slide runouts, fireman's poles and access and exit points, taking care that no trip points or hard edges occur (with wear pads and other safety surfacing).