

design  
make  
play

# SutcliffePlay

Waggon Lane  
Upton Pontefract  
West Yorkshire WF9 1JS  
Telephone +44 (0) 1977 653200  
Facsimile +44 (0) 1977 653222  
info@sutcliffeplay.co.uk  
www.sutcliffeplay.co.uk



## **OTU835**

# **Installation Instructions**

# **1.5m Embankment Slide**

# OTU835

## Installation Instructions

design  
make  
play  
**SutcliffePlay**

- 1 Read all instructions carefully before starting the assembly.
- 2 Check using the parts list and fixing kit list that none of the components are missing. If any parts are missing contact our office.
- 3 Plan the final position of the play equipment ensuring there is sufficient space. See the ground plan for recommended safety surfacing area and critical fall heights to EN1176.
- 4 Mound and embankments can vary site to site. Assuming the embankment has been created, excavate the foundation holes in accordance with the plan and elevation.
- 5 Fit the ground fixings OPA002 to the bottom of the relevant logs, following the instruction sheet on page 04.
- 6 Erect the posts into the foundation holes using the ground plan for reference. Each log is numbered at the top, and marked at the base with an X.
- 7 Assemble the activities to the logs prior to concreting into position.
- 8 When all the activities are fitted, fill the foundation holes to the required depth with concrete.
- 9 Do not allow the equipment to be used until the concrete has set (2 - 3 days) and the required safety surfacing has been installed.
- 10 Check that all fixing bolts are fully tightened. Fit the post caps following the instruction sheet on page 4.
- 11 After one month check all bolts and tighten if necessary. After this one month period insert the rubber log plugs as described on pages 5 and 6.
- 12 Follow the maintenance instructions supplied.

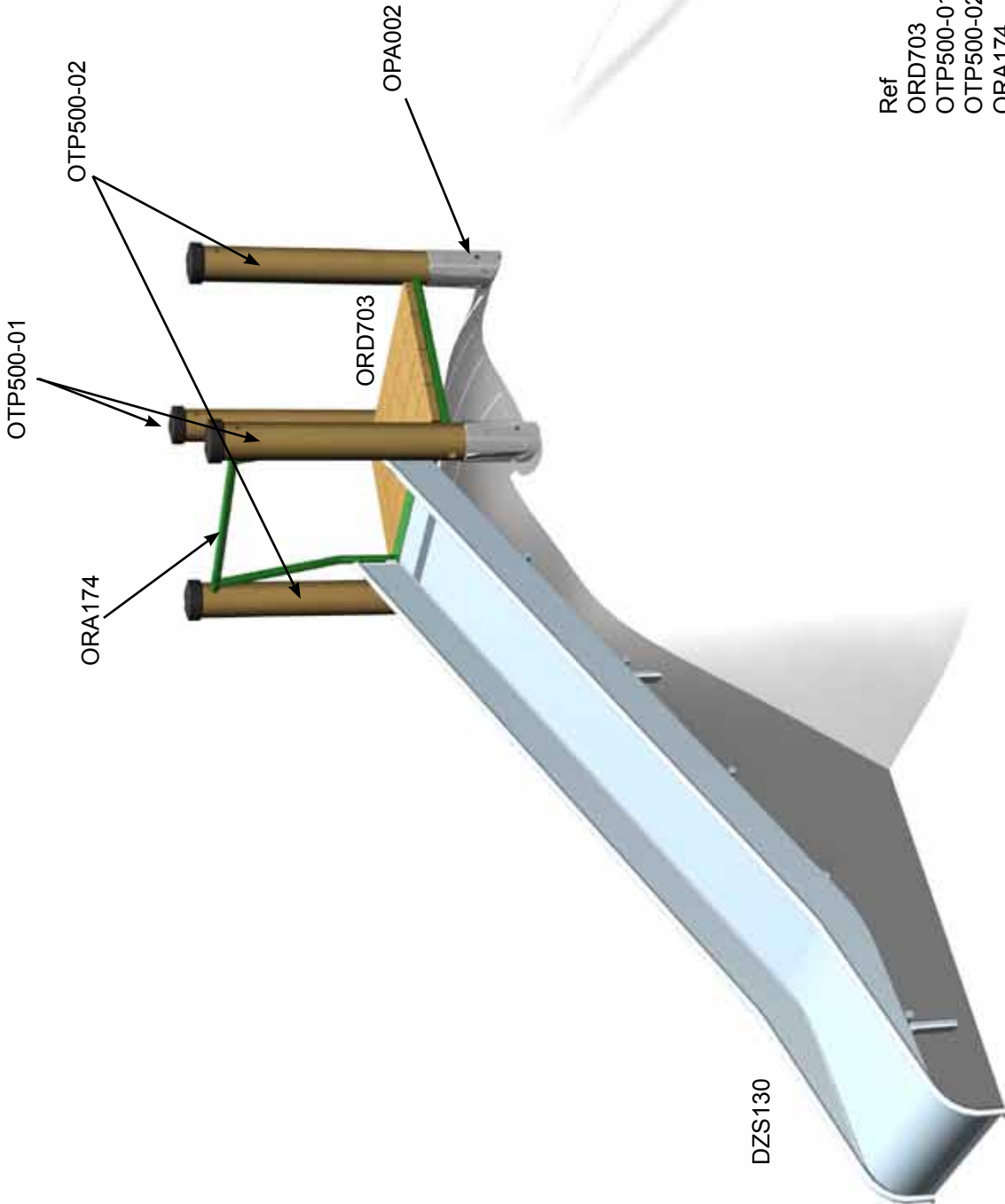
During installation care must be taken to prevent hazards to children.  
Care should be taken if conditions are abnormal.

# OTU835

## Installation Instructions

Rev 00

**Sutcliffe Play**  
design  
make  
play



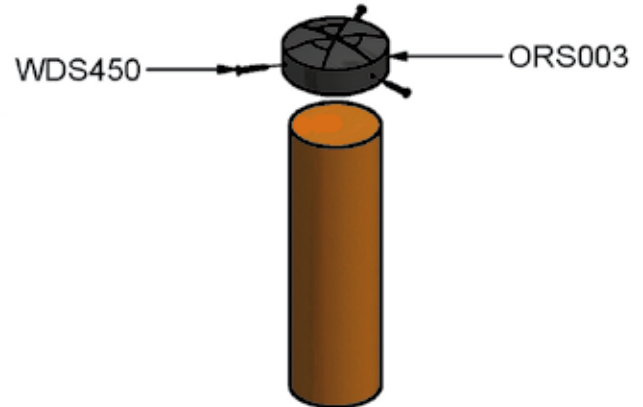
Ref	Description	Qty
ORD703	1M SQUARE DECK	1
OTP500-01	LOG 1	2
OTP500-02	LOG 2	2
ORA174	DECK/SLIDE RAIL	1
DZS130	1.5M TODDLER SLIDE	1
OPA002	GROUND FIXING	4
OTU835F	LOOSE FIXINGS	1

# OTU835

## POST CAPS

FIT RUBBER CAPS TO THE END OF THE LOGS AND FIX IN POSITION USING 3 OFF WDS450 PER JOINT.

NOTE THE RUBBER CAPS ARE A TIGHT FIT ON THE LOGS.

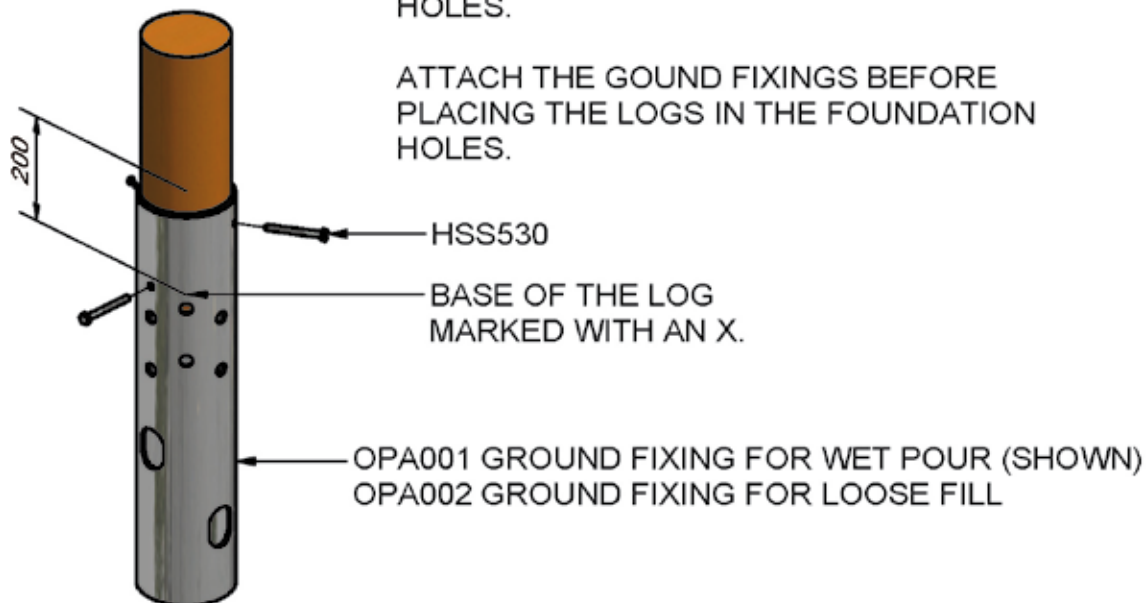


PARTS PER JOINT		
STOCK CODE	DESCRIPTION	QTY
ORS003	RUBBER POST CAP	1
WDS450	12 x 2" CSK POZI SCREW	3

## GROUND FIXINGS

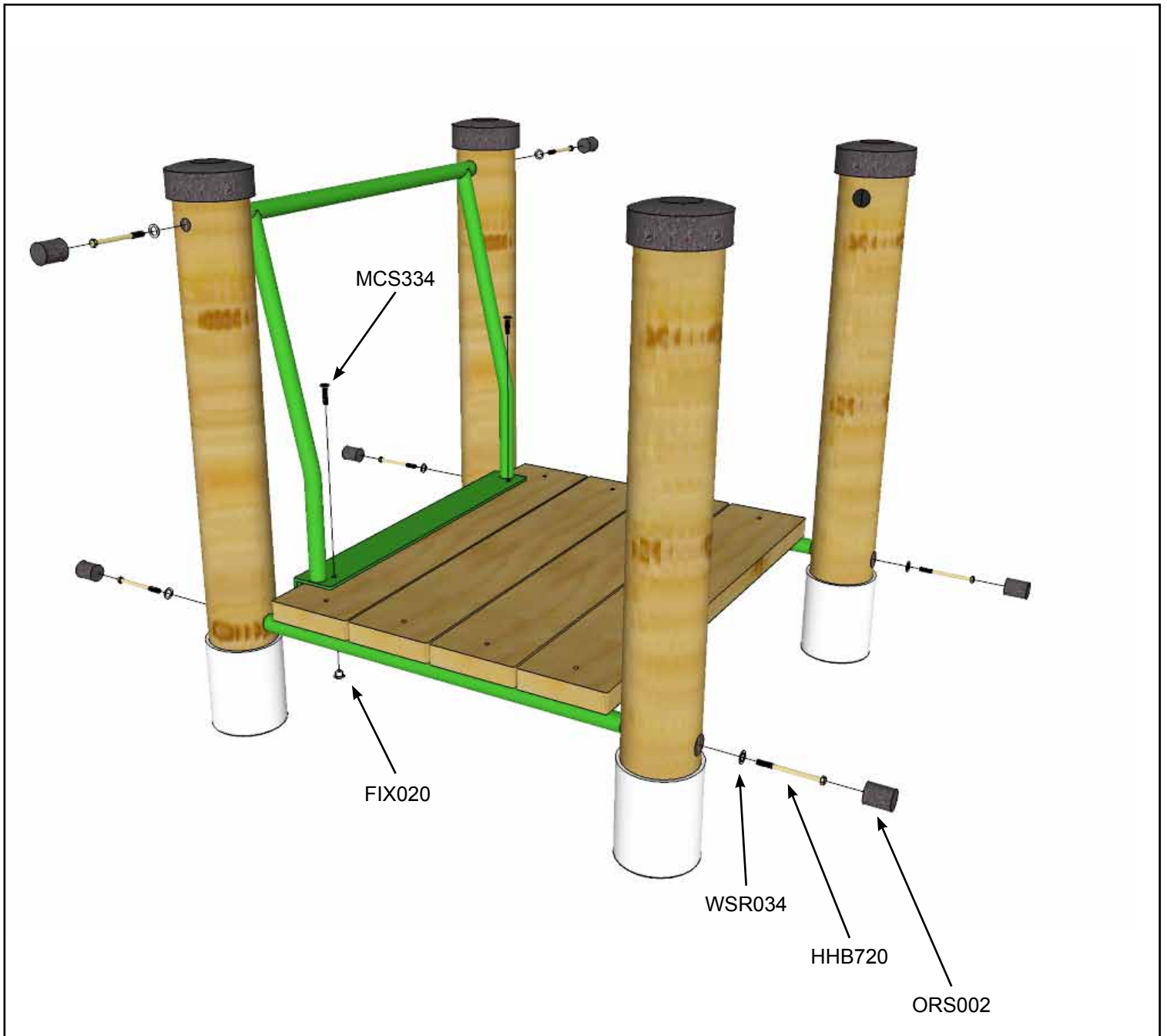
**IMPORTANT NOTE**  
INSERT THE LOGS INTO THE GROUND FIXINGS 200MM ONLY. THE BOTTOM OF THE LOG SHOULD LINE UP WITH THE TOP VENTILATION HOLES.

ATTACH THE GROUND FIXINGS BEFORE PLACING THE LOGS IN THE FOUNDATION HOLES.



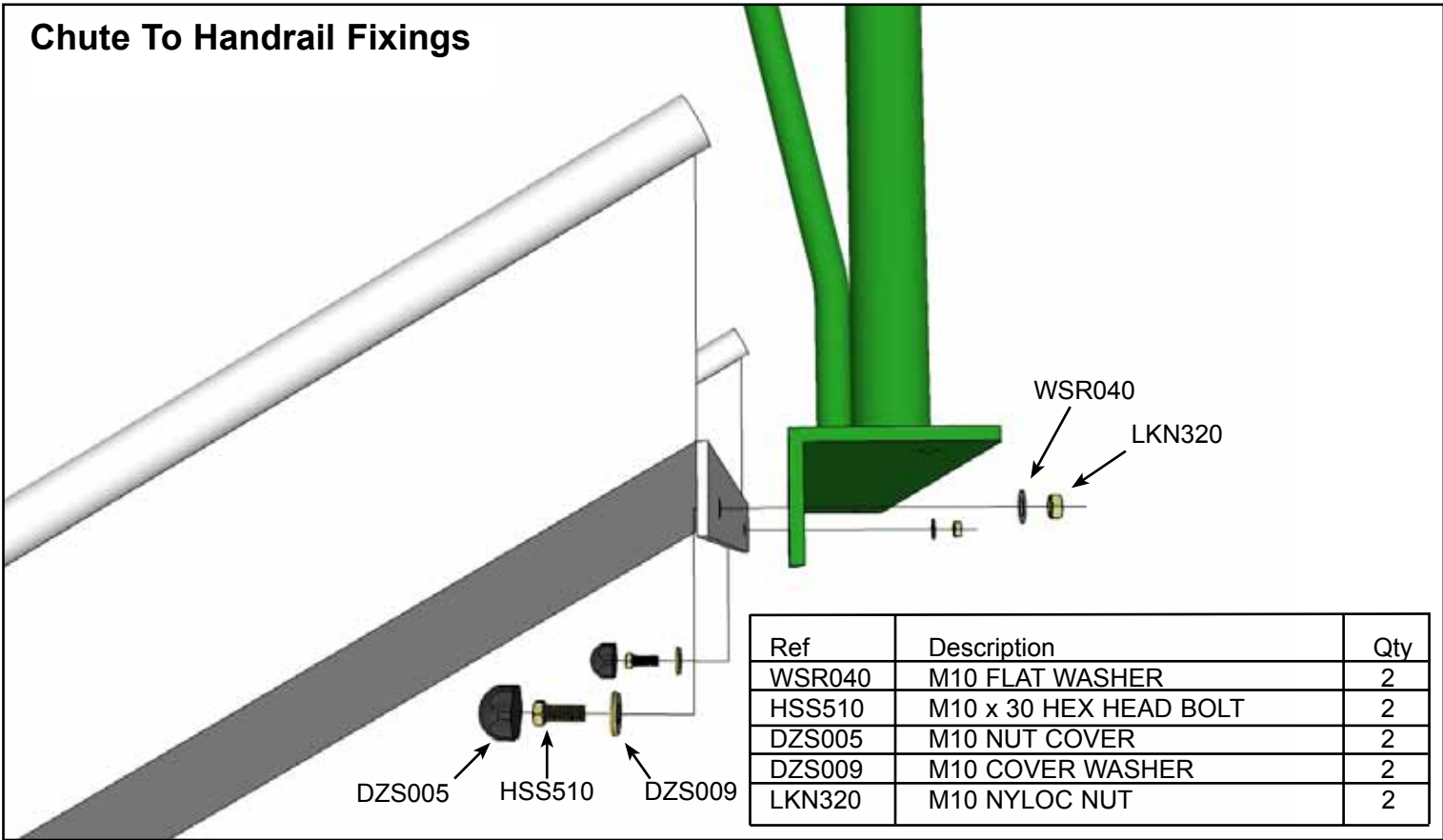
PARTS PER GROUND FIXING		
STOCK CODE	DESCRIPTION	QTY
HSS530	M10 x 80 COACH SCREW BZP	3
OPA001/002	750/1050 ORCHARD SHOE ANODIZED	1

# OTU835



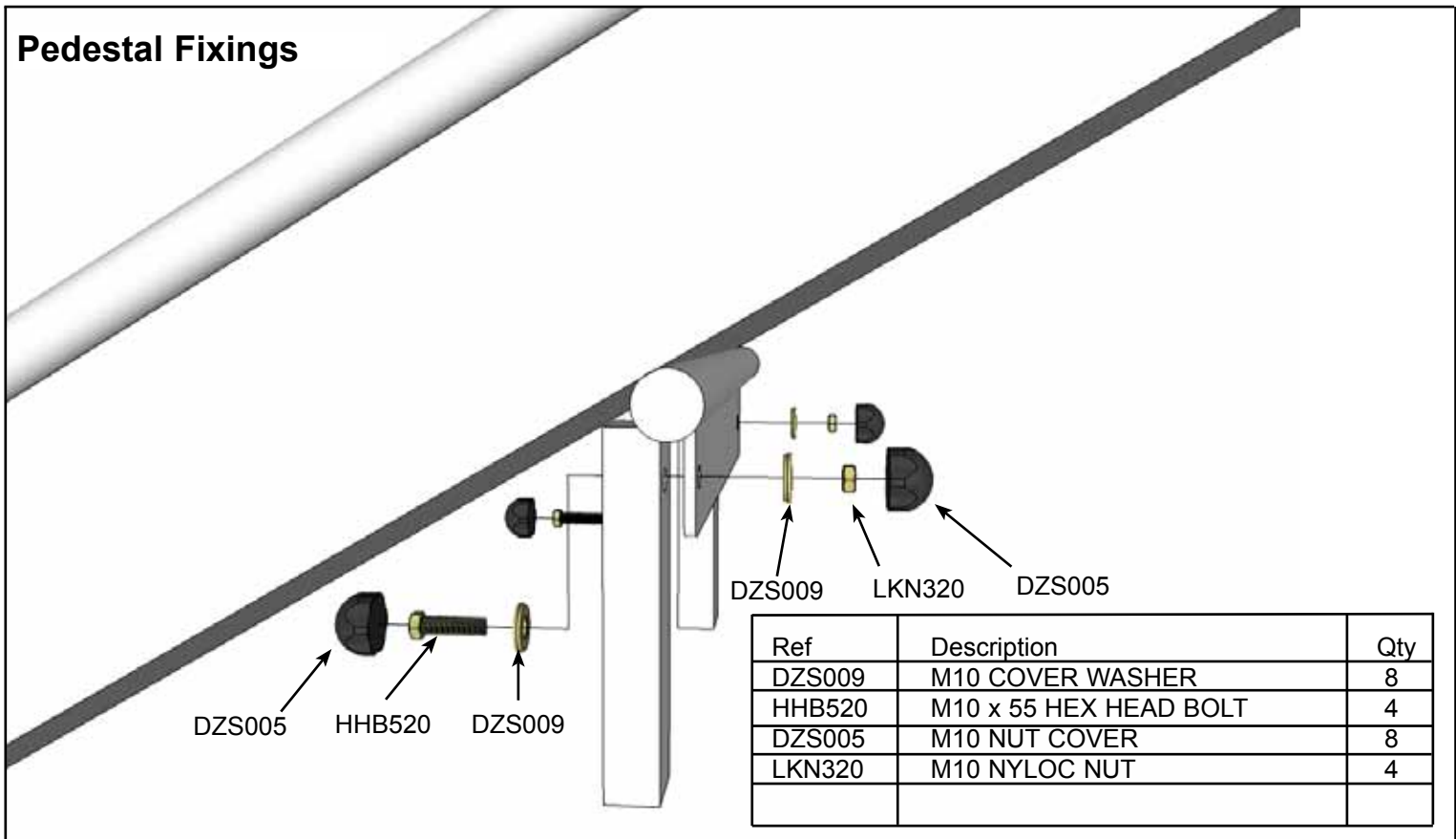
Ref	Description	Qty
WSR034	M16 FLAT WASHER FORM G	6
HHB720	M16 x 120 HEX HEAD BOLT	6
ORS002	35 DIA. RUBBER BUNG	8
FIX020	M10 T/NUT	2
MCS334	M10 x 50 PIN CSK HEAD SCREW	2

## Chute To Handrail Fixings



Ref	Description	Qty
WSR040	M10 FLAT WASHER	2
HSS510	M10 x 30 HEX HEAD BOLT	2
DZS005	M10 NUT COVER	2
DZS009	M10 COVER WASHER	2
LKN320	M10 NYLOC NUT	2

## Pedestal Fixings



Ref	Description	Qty
DZS009	M10 COVER WASHER	8
HHB520	M10 x 55 HEX HEAD BOLT	4
DZS005	M10 NUT COVER	8
LKN320	M10 NYLOC NUT	4

# OTU835

## Maintenance Instructions



### NOTE

The warranty is invalidated if these instructions are not followed.  
All wood needs annual inspection and retreatment where required.

### Recommended Regular Inspection and Maintenance

	Interval Days				
	7	14	28	56	365
Check stability of structure, tighten connections if required.	<input type="checkbox"/>	<input type="checkbox"/>	<input type="checkbox"/>	<input checked="" type="checkbox"/>	<input type="checkbox"/>
Check all uprights at ground level for corrosion and/or rot. Replace any defective parts.	<input type="checkbox"/>	<input type="checkbox"/>	<input type="checkbox"/>	<input type="checkbox"/>	<input checked="" type="checkbox"/>
Check all painted elements for damage, rub down and repaint or replace as required.	<input type="checkbox"/>	<input type="checkbox"/>	<input type="checkbox"/>	<input checked="" type="checkbox"/>	<input type="checkbox"/>
Check chain/ropework assemblies for wear and damage, replace if required.	<input type="checkbox"/>	<input checked="" type="checkbox"/>	<input type="checkbox"/>	<input type="checkbox"/>	<input type="checkbox"/>
Check rotating and pivot points for wear and smooth running lubricate or replace if required.	<input type="checkbox"/>	<input type="checkbox"/>	<input checked="" type="checkbox"/>	<input type="checkbox"/>	<input type="checkbox"/>
Check rubber parts for wear and/or damage, replace if required.	<input type="checkbox"/>	<input type="checkbox"/>	<input checked="" type="checkbox"/>	<input type="checkbox"/>	<input type="checkbox"/>
Check tension cables, adjust if required.	<input type="checkbox"/>	<input type="checkbox"/>	<input checked="" type="checkbox"/>	<input type="checkbox"/>	<input type="checkbox"/>
Check wear of cables, replace if required.	<input type="checkbox"/>	<input type="checkbox"/>	<input checked="" type="checkbox"/>	<input type="checkbox"/>	<input type="checkbox"/>
Check slide chutes for smoothness and any foreign elements, remove any found.	<input type="checkbox"/>	<input type="checkbox"/>	<input checked="" type="checkbox"/>	<input type="checkbox"/>	<input type="checkbox"/>
Check rubber safety surfaces for damage and poor performance, repair or replace if required.	<input type="checkbox"/>	<input type="checkbox"/>	<input type="checkbox"/>	<input checked="" type="checkbox"/>	<input type="checkbox"/>
Check loose fill safety surfaces, remove any foreign elements, rake level and top up if required.	<input type="checkbox"/>	<input type="checkbox"/>	<input checked="" type="checkbox"/>	<input type="checkbox"/>	<input type="checkbox"/>