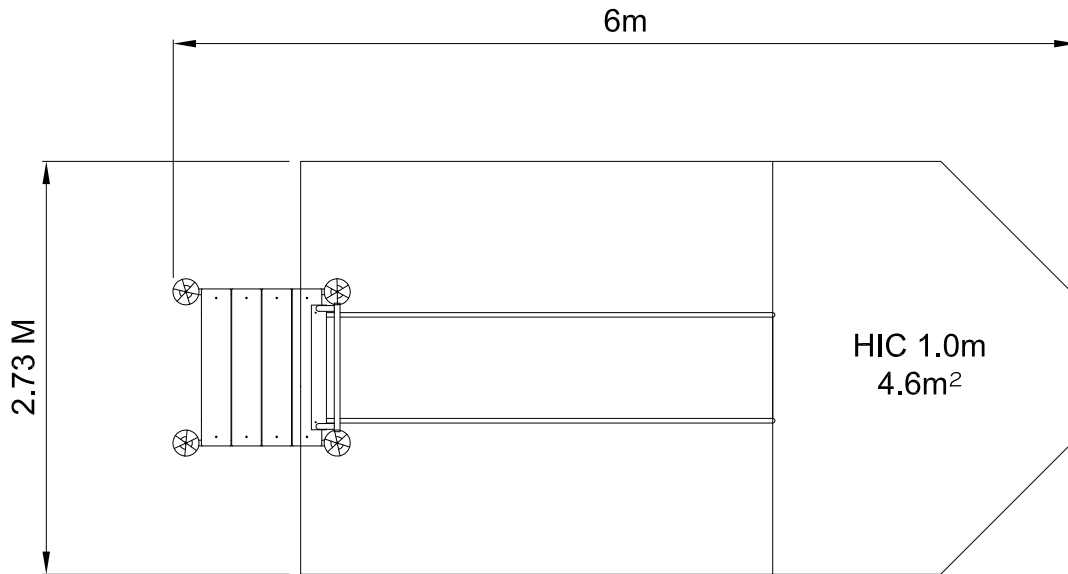


OTU835 1.5m Orchard Embankment Slide

Drawn SH
Scale 1:50 @ A4
Rev 00 - 07.10.20

design
make
play
SutcliffePlay



SAFETY SURFACING:

AREA 4.6m²
PERIMETER 8.4m
HIC 1.0m

MINIMUM USE ZONES SHOWN, SAFETY SURFACES TO EN 1176 DEPEND ON SLOPE

PRODUCT SPECIFICS:

Age Range: 3 - 10 years

Play Type: Physical, locomotor

DO NOT SCALE FROM THIS DRAWING THIS DRAWING MUST NOT BE USED FOR
INSTALLATION PURPOSES.