

Installation Instructions

Treetops 2.4m (8ft) Nest Swing Frame
TSF101

Sheet 1 of 5
Rev 01 (28.08.20)

design
make
play

SutcliffePlay

Waggon Lane
Upton Pontefract
West Yorkshire WF9 1JS
Telephone +44 (0) 1977 653200
Facsimile +44 (0) 1977 653222
info@sutcliffeplay.co.uk
www.sutcliffeplay.co.uk



Installation Instructions

Treetops 2.4m (8ft) Nest Swing Frame
TSF101

design
make
play

SutcliffePlay

Sheet 2 of 5

Rev 01 (28.08.20)

Installation procedure

1. Plan the final position of the play equipment ensuring that there is sufficient space*.
2. Excavate the foundation hole in accordance with the plan and elevation**.
3. Assemble the swing frame on the ground. Ensure the fixing bolts are tightened securely.
4. Carefully lift the frame into the foundation holes ensuring it is not twisted. It is important that the top tube is horizontal, please use a spirit level to check this.
5. The height from the centre of the top bar to the play level is 2.4m.
6. When the frame is positioned correctly in the foundation holes, fit the spragging irons and fill with concrete. Ensure that the concrete foundations slope away slightly from each leg to prevent water collecting.
7. Do not allow the equipment to be used until the concrete has set (2-3 days) and the required safety surfacing has been installed.
8. Check all the fixing bolts are tightened and hang the required swing seats to the frame.
9. Follow the Maintenance Instructions provided.

* Care should be taken during installation to decrease the hazard to children.

** Extra care should be taken if the conditions aren't normal.

Parts supplied

	Description	Qty	Stock Code
1	Nest Top Bar	1	TSF111
2	8Ft Back Leg	2	TSF001
3	8Ft Front Leg	2	TSF002
4	Glulam Shoe	2	TSF008
5	Fixing Kit	1	TSF101F

Required tools for installation

Tape measure

Spirit level

Step Ladder

Digging equipment

M16 Ring Spanner or Socket



Installation Instructions

Treetops 2.4m (8ft) Nest Swing Frame
TSF101

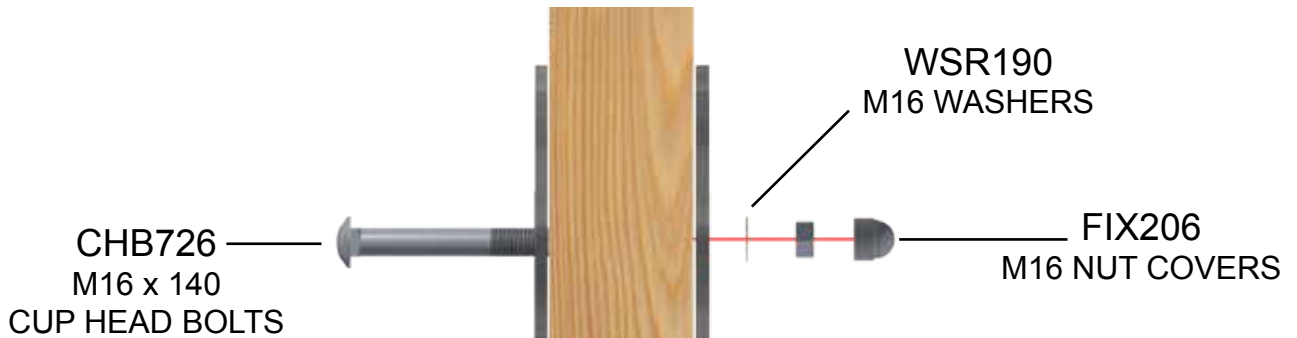
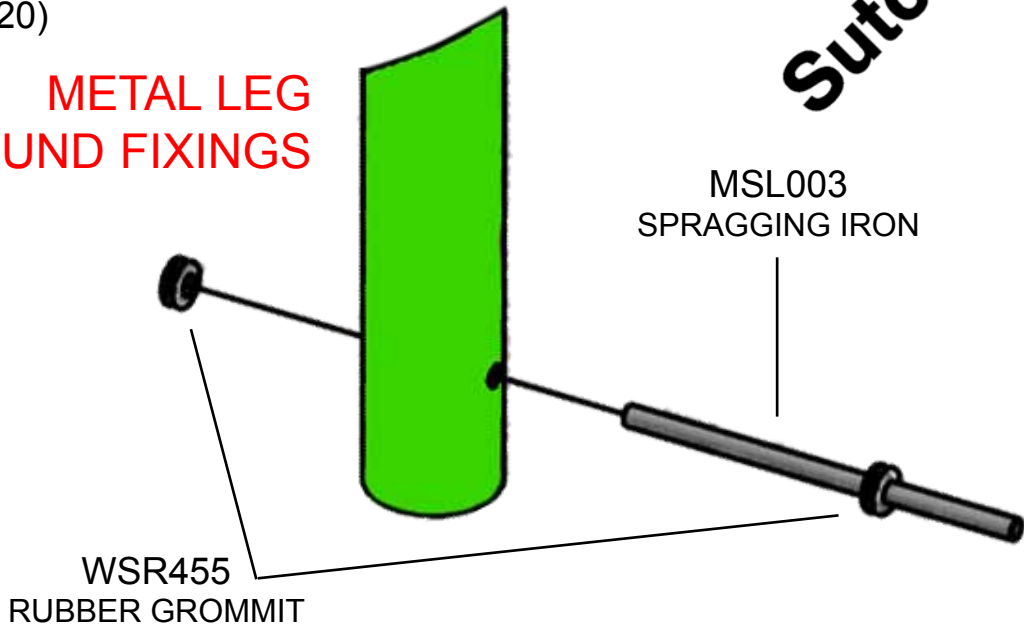
design
make
play

SutcliffePlay

Sheet 3 of 5

Rev 01 (28.08.20)

METAL LEG GROUND FIXINGS



**NB. CUP HEAD
MUST BE FITTED
TO OUTSIDE OF
THE LEGS**

LKN340
M16 NYLOC NUTS

**NB. TIMBER
MUST NOT BE
INSTALLED
BELOW FINISHED
GROUND LEVEL.**

TIMBER LEG GROUND FIXINGS



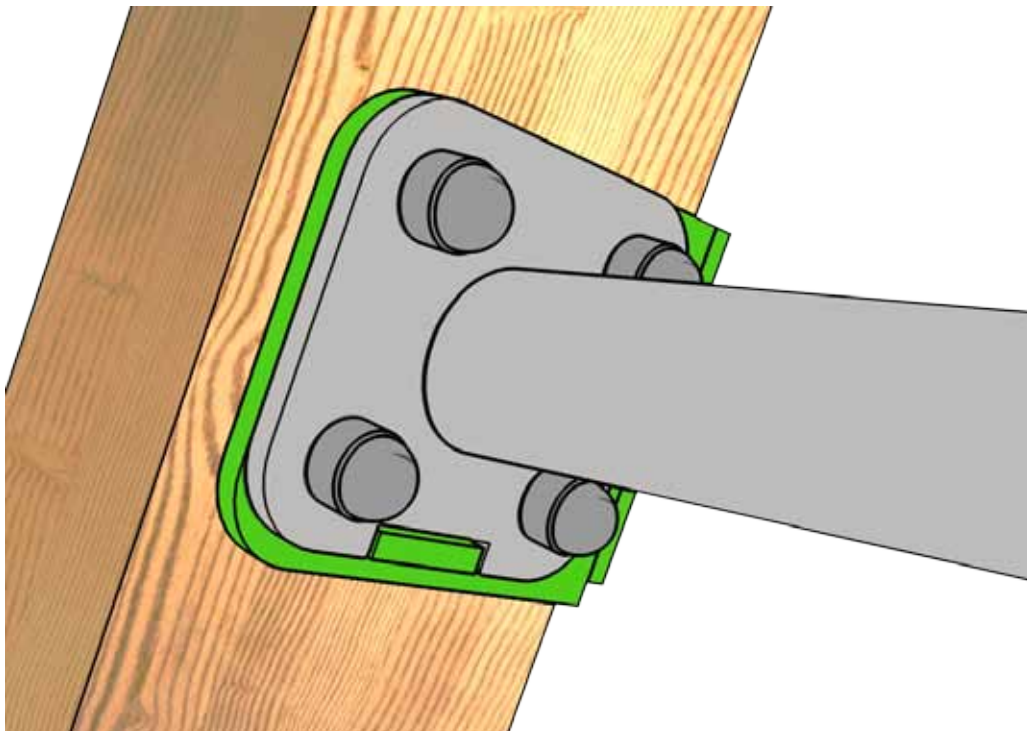
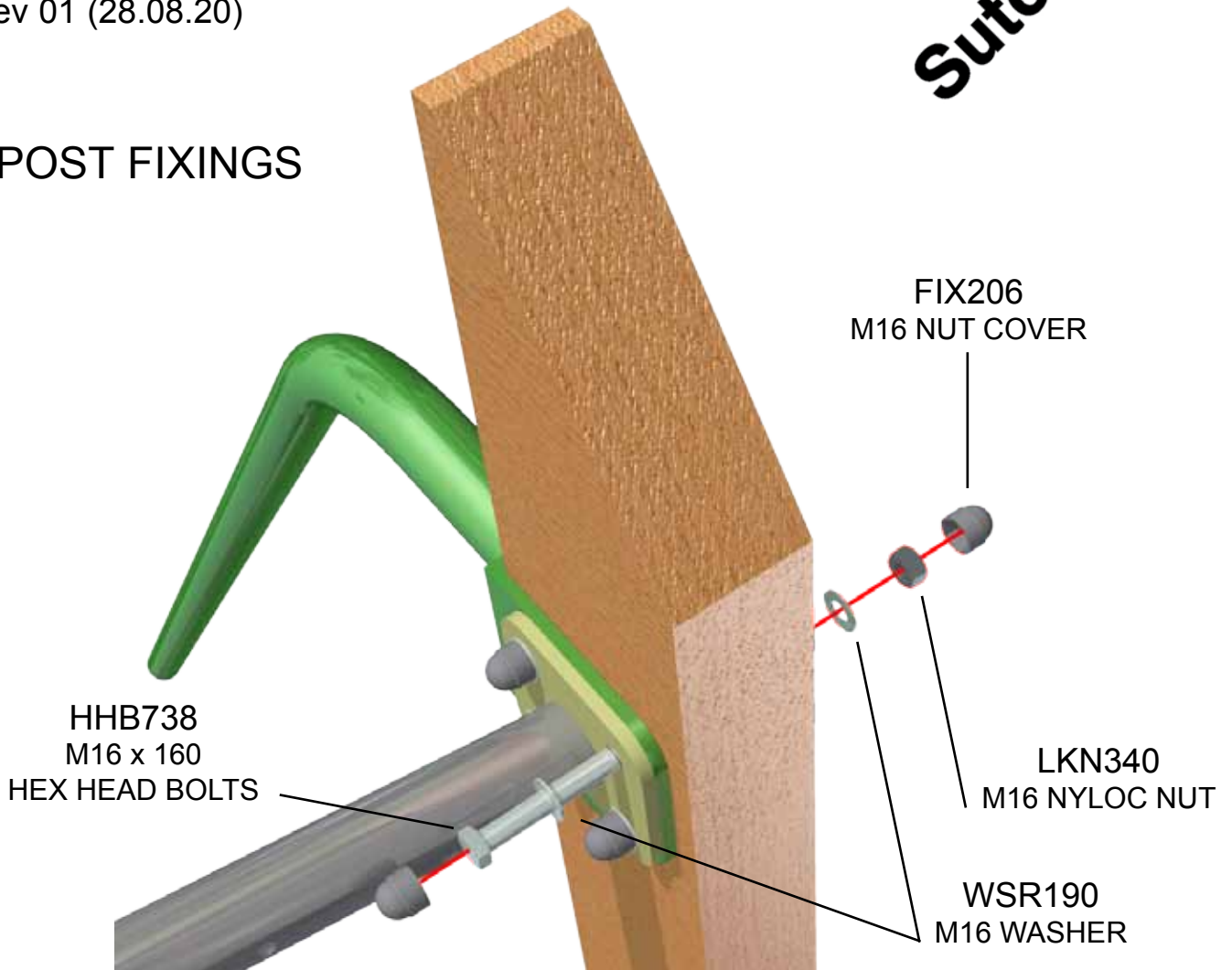
Installation Instructions

Treetops 2.4m (8ft) Nest Swing Frame
TSF101

Sheet 4 of 5
Rev 01 (28.08.20)

design
make
play
SutcliffePlay

POST FIXINGS



Maintenance Instructions

Treetops 2.4m (8ft) Nest Swing Frame
TSF101



Sheet 5 of 5

Rev 01 (28.08.20)

NB The warranty is invalidated if these instructions are not followed.

Recommended regular inspection and maintenance

	Interval days				
	7	14	28	56	365
Check stability of structure, tighten connections if required.	<input type="checkbox"/>	<input type="checkbox"/>	<input type="checkbox"/>	<input checked="" type="checkbox"/>	<input type="checkbox"/>
Check all timber for structural integrity / delamination. Replace any defective parts.	<input type="checkbox"/>	<input type="checkbox"/>	<input type="checkbox"/>	<input checked="" type="checkbox"/>	<input type="checkbox"/>
Check parts at ground level for corrosion and/or rot. Replace any defective parts	<input type="checkbox"/>	<input type="checkbox"/>	<input type="checkbox"/>	<input checked="" type="checkbox"/>	<input type="checkbox"/>
Check all painted elements for damage, rub down and repaint or replace as required.	<input type="checkbox"/>	<input type="checkbox"/>	<input type="checkbox"/>	<input checked="" type="checkbox"/>	<input type="checkbox"/>
Check all ropework assemblies for wear and damage, replace if required.	<input type="checkbox"/>	<input checked="" type="checkbox"/>	<input type="checkbox"/>	<input type="checkbox"/>	<input type="checkbox"/>
Check rotating pivot points for wear and smooth running lubricate or replace if required.	<input type="checkbox"/>	<input checked="" type="checkbox"/>	<input type="checkbox"/>	<input type="checkbox"/>	<input type="checkbox"/>
Check rubber parts for wear and/or damage, replace if required.	<input type="checkbox"/>	<input checked="" type="checkbox"/>	<input type="checkbox"/>	<input type="checkbox"/>	<input type="checkbox"/>
Check rubber safety surfaces for damage and poor performance, repair or replace if required.	<input type="checkbox"/>	<input type="checkbox"/>	<input type="checkbox"/>	<input checked="" type="checkbox"/>	<input type="checkbox"/>
Check loose fill safety surfaces remove any foreign elements, repair or replace if required.	<input type="checkbox"/>	<input checked="" type="checkbox"/>	<input type="checkbox"/>	<input type="checkbox"/>	<input type="checkbox"/>

Disposal Instructions

All components should be broken down into categories of:-

1. **Mild Steel** - all swing frames, Playzone, Toddlerzone and Teenzone activities, deck frames and springie frames.
2. **Stainless Steel** - all slides, mirror panels.
3. **Aluminium** - all Playzone and Toddlerzone posts.
4. **Galvanised steel** - all chains and Teenzone posts.
5. **Moulded rubber products without steel inserts** - all Toddlerzone and Playzone caps and panel edging.
6. **Timber** - all natural timber, plywood and mdf panels.

Wherever possible these materials should be taken to a specialist recycling organisations and recycled. In some cases where composite materials are used then disposal at land fill sites is the only alternative such as:-

7. **Moulded rubber product with steel inserts** - all seats, deck tops, duo/dizzy disc tops.
8. **High pressure laminate** - all Toddlerzone and Playzone panels.
9. **Steel core polypropylene rope** - all scramble nets, space nets, Playzone and Toddlerzone ropes and rope bridges.