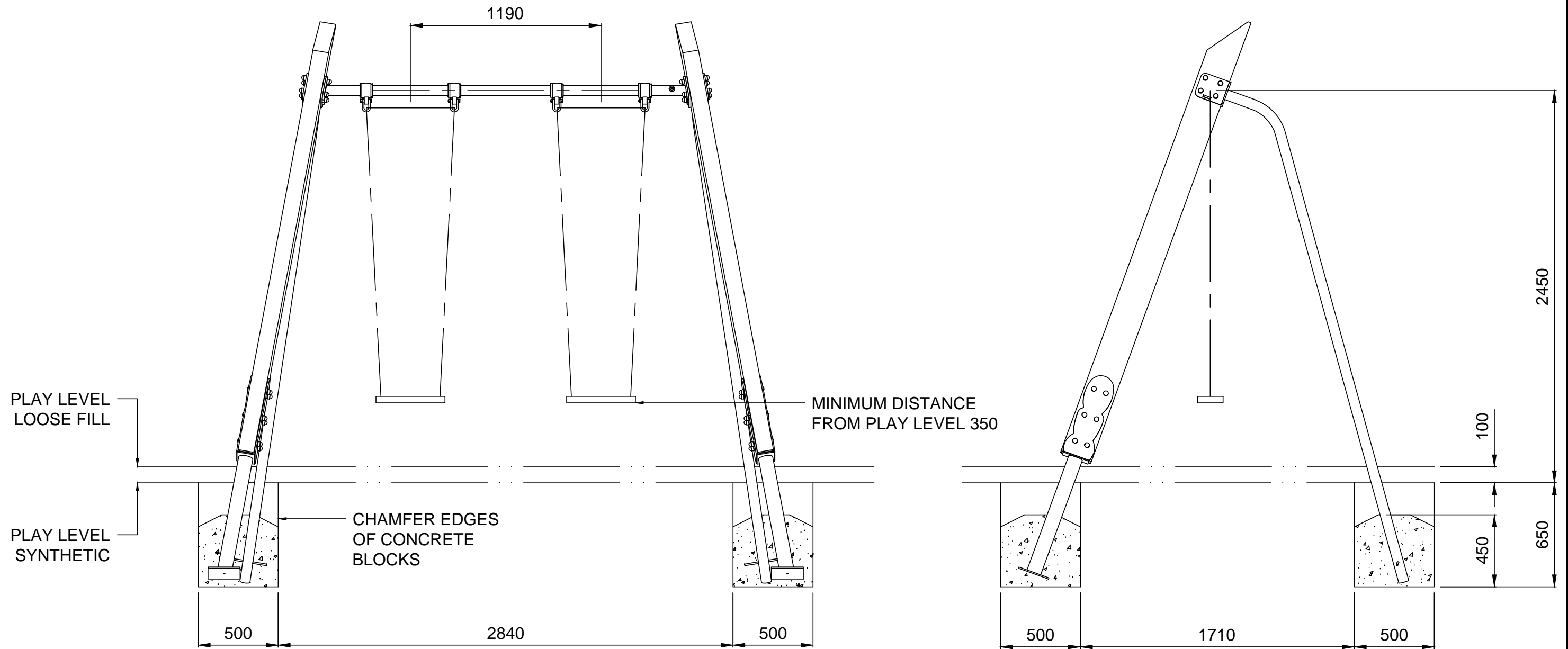


DRG No	REV
TSF102	00

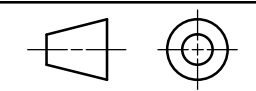


DO NOT SCALE THIS DRAWING.  
IF IN DOUBT ASK. ALL DIMENSIONS  
IN MM UNLESS OTHERWISE STATED.

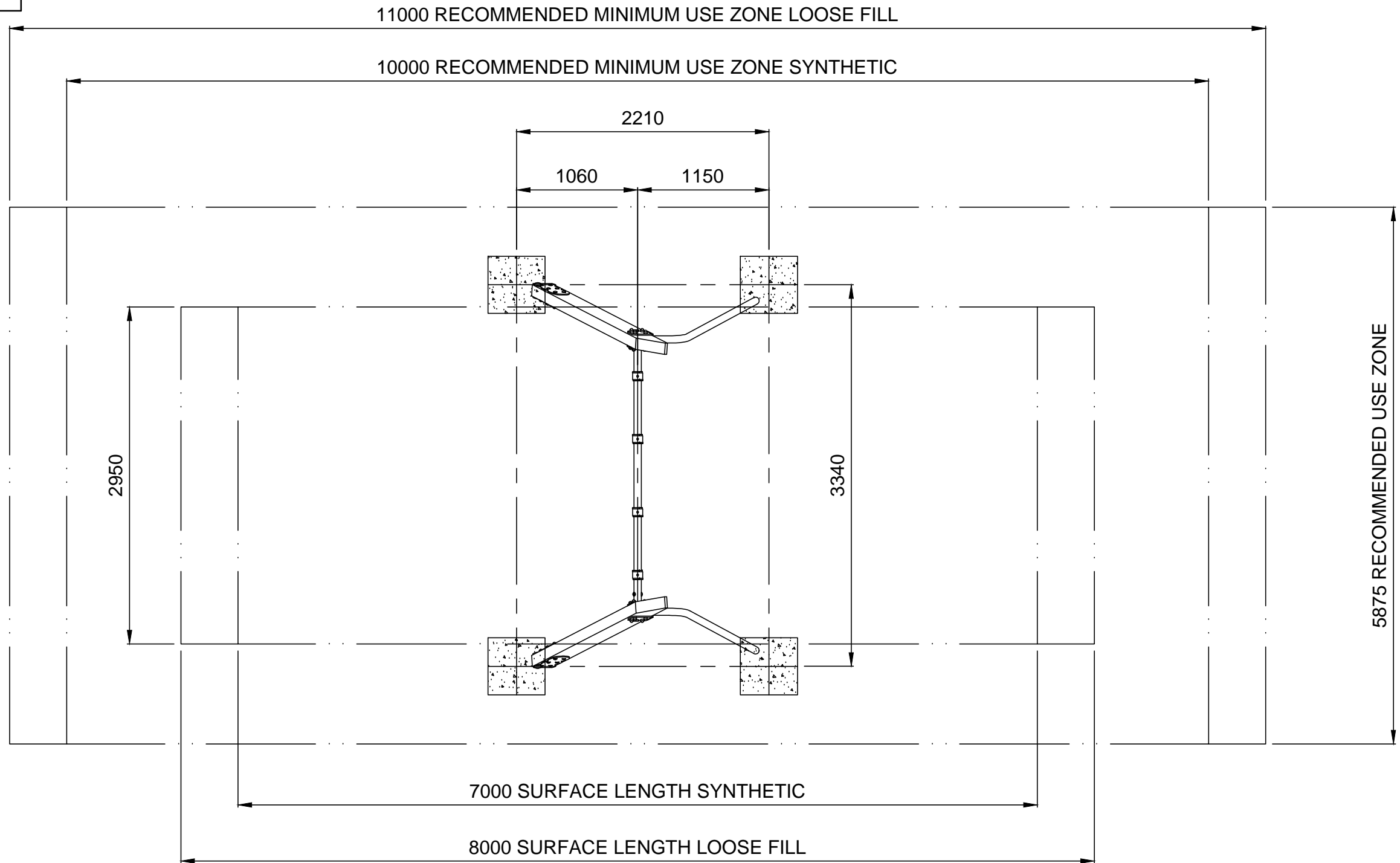
GENERAL TOLERANCES  
UNLESS OTHERWISE STATED  
DECIMAL PLACES  
0 = ±1  
0.0 = ±0.5  
0.00 = ±0.05  
ANGULAR TOLERANCE  
±1°  
ALL WELDS TO WPS1  
WELDING SPECIFICATION  
UNLESS OTHERWISE STATED

TITLE  
**TREETOPS 2 SEAT  
2.4m SWING FRAME  
SHEET 1 OF 2**

*design  
make  
play*  
**SutcliffePlay**

REVISION	DESCRIPTION		
DRAWN BY	SH	 FIRST ANGLE PROJECTION	
CHECKED			
SCALE	1:25	DRG No	REV
DATE	04.11.19	TSF102	00

DRG No	REV
TSF102	00



SAFETY SURFACING  
 20.7m<sup>2</sup> SYNTHETIC  
 23.6m<sup>2</sup> LOOSE FILL  
 HIC 1.5M

DO NOT SCALE THIS DRAWING.  
 IF IN DOUBT ASK. ALL DIMENSIONS  
 IN MM UNLESS OTHERWISE STATED.

GENERAL TOLERANCES UNLESS OTHERWISE STATED DECIMAL PLACES 0 = ±1 0.0 = ±0.5 0.00 = ±0.05 ANGULAR TOLERANCE ±1° ALL WELDS TO WPS1 WELDING SPECIFICATION UNLESS OTHERWISE STATED	TITLE		REVISION		DESCRIPTION		
	TREETOPS 2 SEAT		DRAWN BY		SH		
	2.4m SWING FRAME		CHECKED		FIRST ANGLE PROJECTION		
	SHEET 2 OF 2		SCALE		1:40		
			DATE		04.11.19		
				DRG No		REV	
				TSF102		00	

*design  
make  
play*  
**SutcliffePlay**