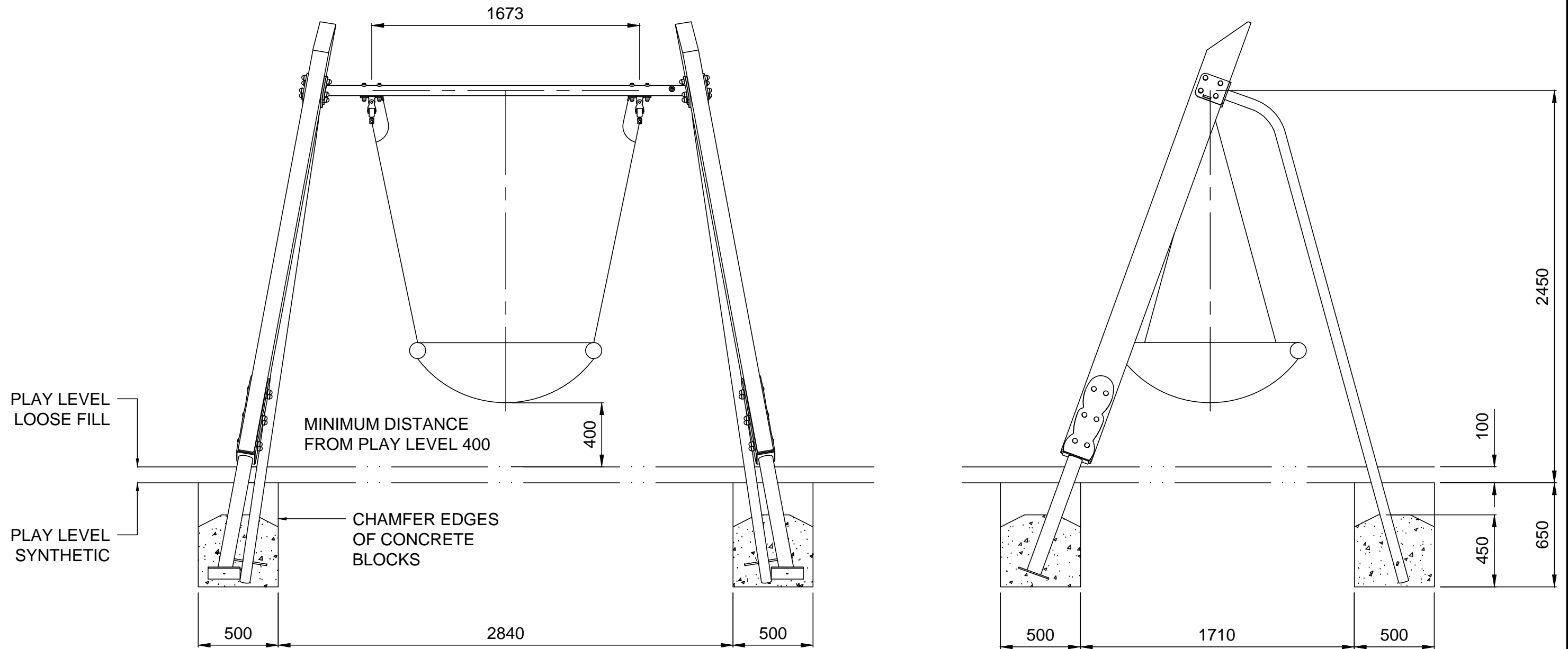


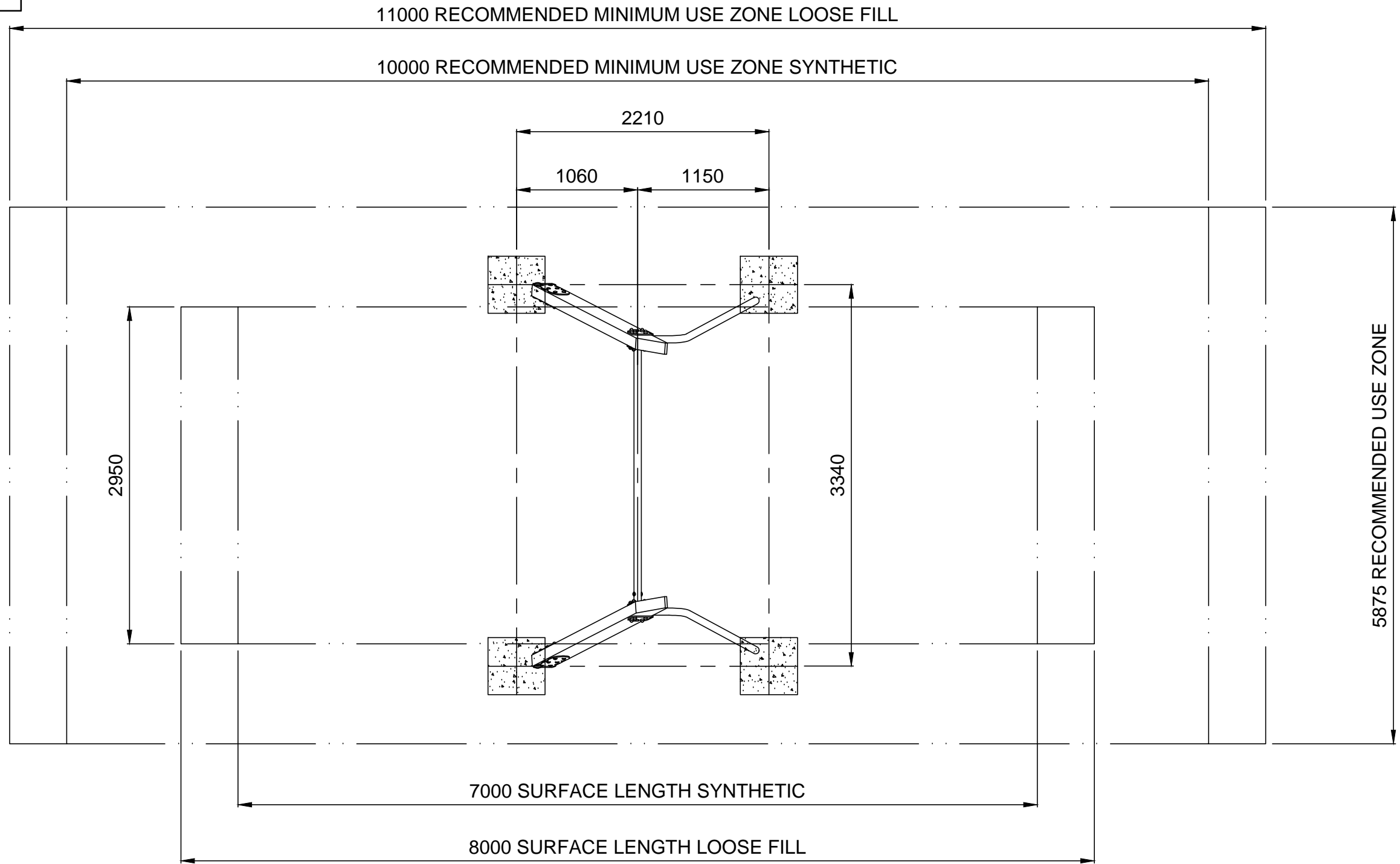
DRG No	REV
TSF101	00



DO NOT SCALE THIS DRAWING.
IF IN DOUBT ASK. ALL DIMENSIONS
IN MM UNLESS OTHERWISE STATED.

<p>GENERAL TOLERANCES UNLESS OTHERWISE STATED</p> <p>DECIMAL PLACES</p> <p>0 = ±1</p> <p>0.0 = ±0.5</p> <p>0.00 = ±0.05</p> <p>ANGULAR TOLERANCE</p> <p>±1°</p> <p>ALL WELDS TO WPS1 WELDING SPECIFICATION UNLESS OTHERWISE STATED</p>	<p>TITLE</p> <p>TREETOPS NEST</p> <p>2.4m SWING FRAME</p> <p>SHEET 1 OF 2</p>		<p><i>design make play</i></p> <p>SutcliffePlay</p>		REVISION	DESCRIPTION
	DRAWN BY	SH			<p>FIRST ANGLE PROJECTION</p>	
	CHECKED		SCALE	1:25		
	DATE	22.11.19	TSF101	00		

DRG No	REV
TSF101	00



SAFETY SURFACING
 20.7m² SYNTHETIC
 23.6m² LOOSE FILL
 HIC 1.5M

DO NOT SCALE THIS DRAWING.
 IF IN DOUBT ASK. ALL DIMENSIONS
 IN MM UNLESS OTHERWISE STATED.

GENERAL TOLERANCES UNLESS OTHERWISE STATED DECIMAL PLACES 0 = ±1 0.0 = ±0.5 0.00 = ±0.05 ANGULAR TOLERANCE ±1° ALL WELDS TO WPS1 WELDING SPECIFICATION UNLESS OTHERWISE STATED	TITLE		REVISION		DESCRIPTION		
	TREETOPS NEST		DRAWN BY		SH		
	2.4m SWING FRAME		CHECKED		FIRST ANGLE PROJECTION		
	SHEET 2 OF 2		SCALE		1:40		
			DATE		22.11.19		
				DRG No		REV	
				TSF101		00	

*design
make
play*
SutcliffePlay