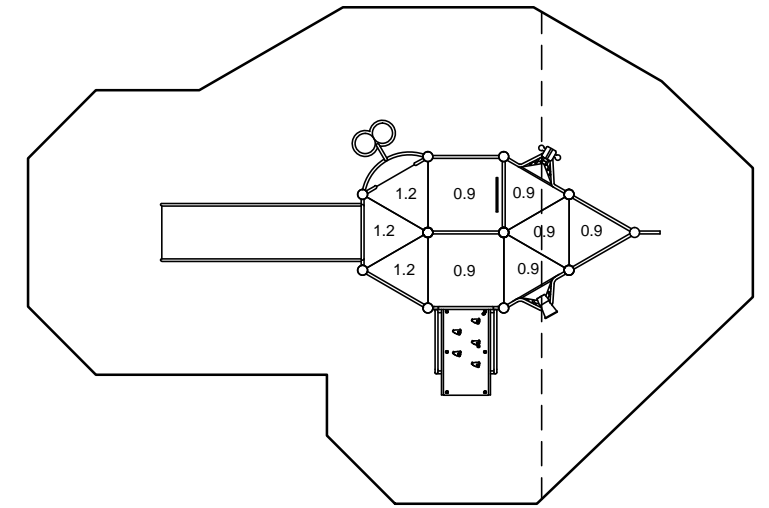
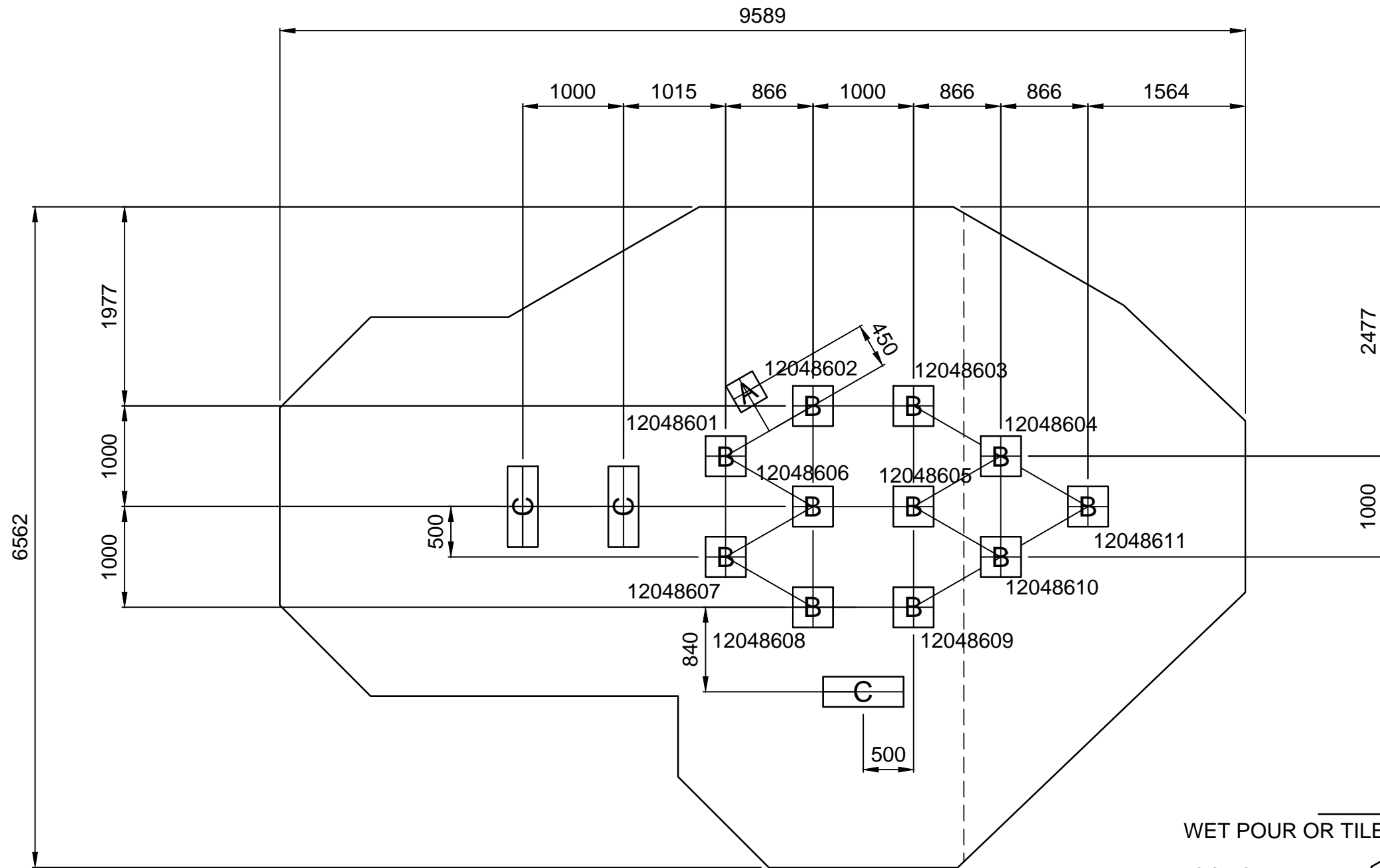
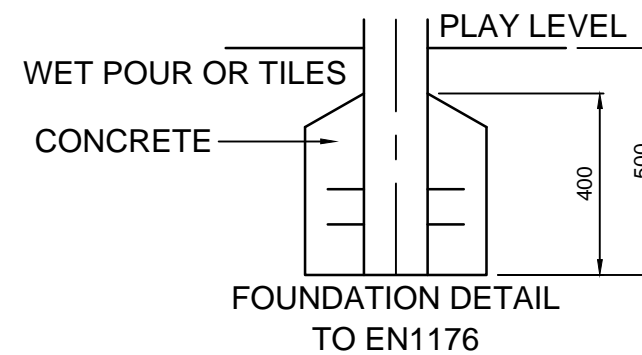


DO NOT SCALE THIS DRAWING  
SCALE 1:50 WHEN PRINTED ON A3

design  
make  
play  
**SutcliffePlay**



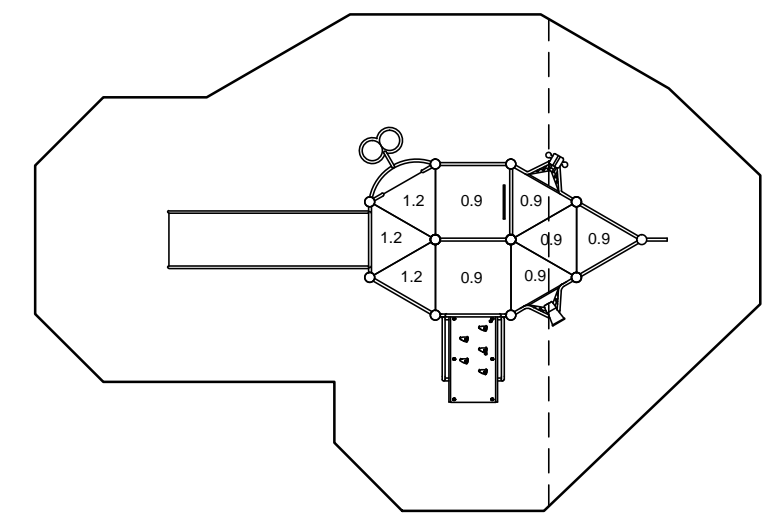
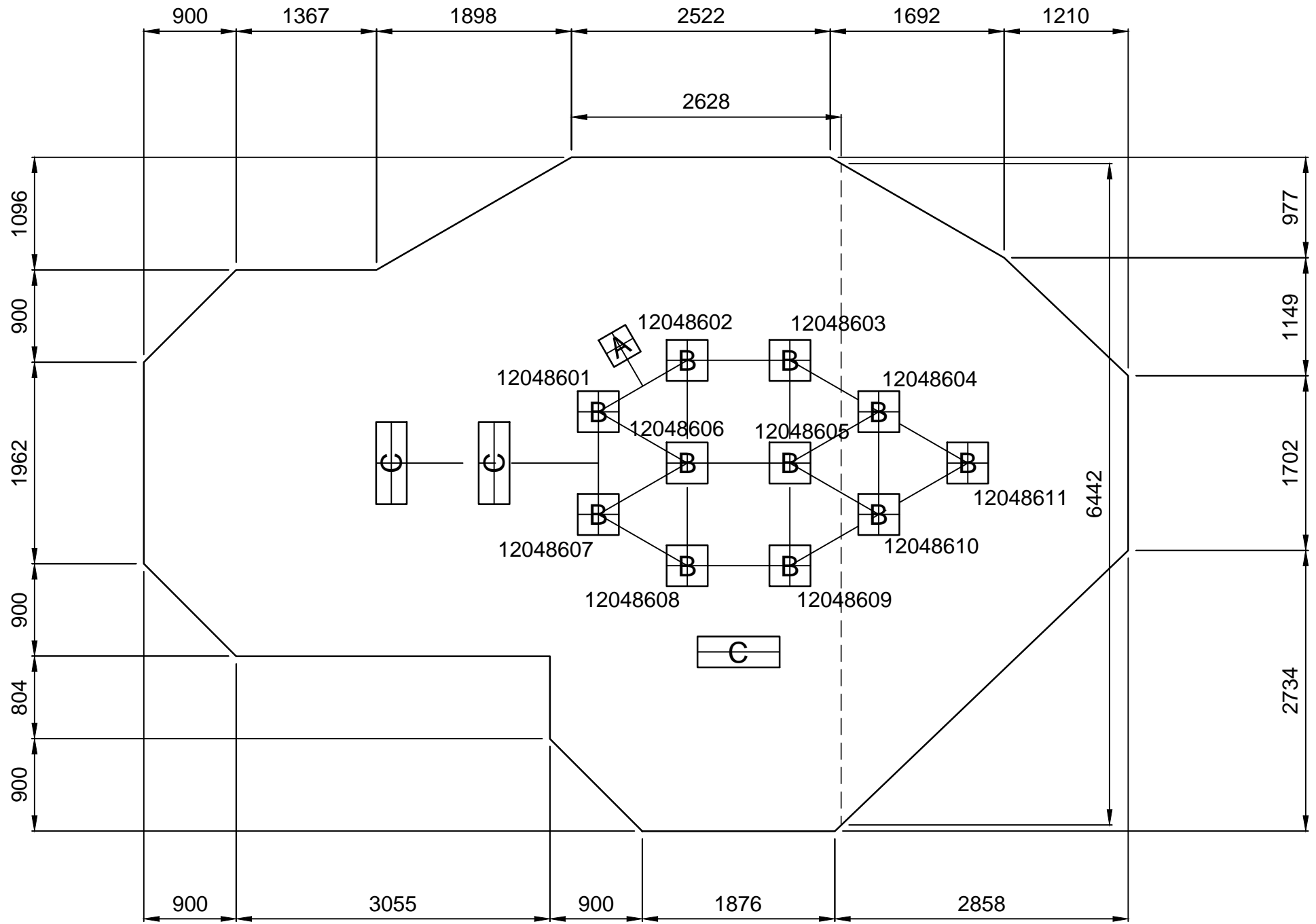
PLAN SCALE 1:100



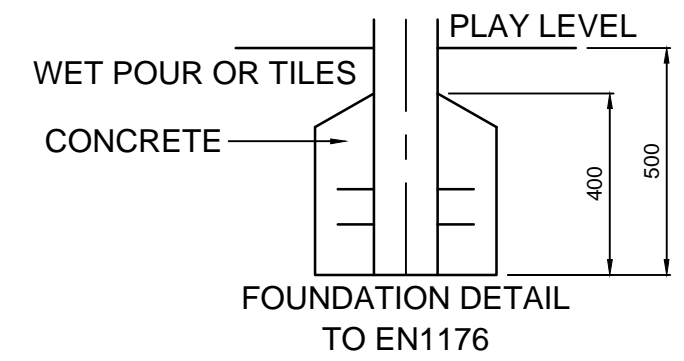
GROUND PLAN	<b>DZW486(1)</b>
REV	00
DRAWN	SH
SCALE	1:50 @ A3
DATE	30.09.20
SAFETY SURFACE AREA	AREA - 44.8m <sup>2</sup> PERIMETER 27m HIC 0.9M - 11.7m <sup>2</sup> HIC 1.2M - 33.1m <sup>2</sup>
HOLE A	300x300x800 DEEP
HOLE B	400x400x500 DEEP
HOLE C	300x800x800 DEEP

DO NOT SCALE THIS DRAWING  
SCALE 1:50 WHEN PRINTED ON A3

design  
make  
play  
**SutcliffePlay**



PLAN SCALE 1:100



GROUND PLAN	<b>DZW486(2)</b>
REV	00
DRAWN	SH
SCALE	1:50 @ A3
DATE	30.09.20
SAFETY SURFACE AREA	AREA - 44.8m <sup>2</sup> PERIMETER 27m HIC 0.9M - 11.7m <sup>2</sup> HIC 1.2M - 33.1m <sup>2</sup>
HOLE A	300x300x800 DEEP
HOLE B	400x400x500 DEEP
HOLE C	300x800x800 DEEP