

design
make
play

SutcliffePlay

Waggon Lane
Upton Pontefract
West Yorkshire WF9 1JS
Telephone +44 (0) 1977 653200
Facsimile +44 (0) 1977 653222
info@sutcliffeplay.co.uk
www.sutcliffeplay.co.uk



Playzone Foxglove Installation Instructions PZW905

PZW905

Playzone Unit Installation Instructions

design
make
play
SutcliffePlay

1. Check using the Parts List that none of the components are missing.
2. Plan the final position of the play equipment ensuring there is sufficient space.
3. Sort and identify parts before assembly. Each leg is numbered to correspond with the foundation plan.
4. Excavate the foundation holes in accordance with the plan.
5. Position 2 x 300mm long spragging irons into the holes provided in each post upright and stand in the foundation holes. Assemble the decks at the positions marked on the posts. Do not tighten the fixing bolts until all the activities have been assembled.
6. Assemble the activities onto the posts as per the diagrams in this document. Leave fixing bolts loose until all the activities have been assembled. Ground fixed activities need 200mm spragging irons positioned through their holes.
7. Assemble the plastic slides as per the diagrams in this document.
8. When all activities have been assembled, tighten all the fixings, attach nut covers where necessary, ensure the unit is level and the posts are vertical.
9. Fill the foundation holes to the required depth with concrete.
10. Do not allow the equipment to be used until the concrete has set (2 - 3 days) and the required safety surfacing has been installed.
11. Tighten all fixing bolts.
12. Follow the maintenance instructions supplied.

NB:

1. Slide runouts should be inclined downwards by approximately 2 degrees for drainage purposes.
2. During installation care must be taken to prevent hazards to children.
3. Extra care should be taken if conditions are abnormal.

PZW905

Playzone Unit Parts List

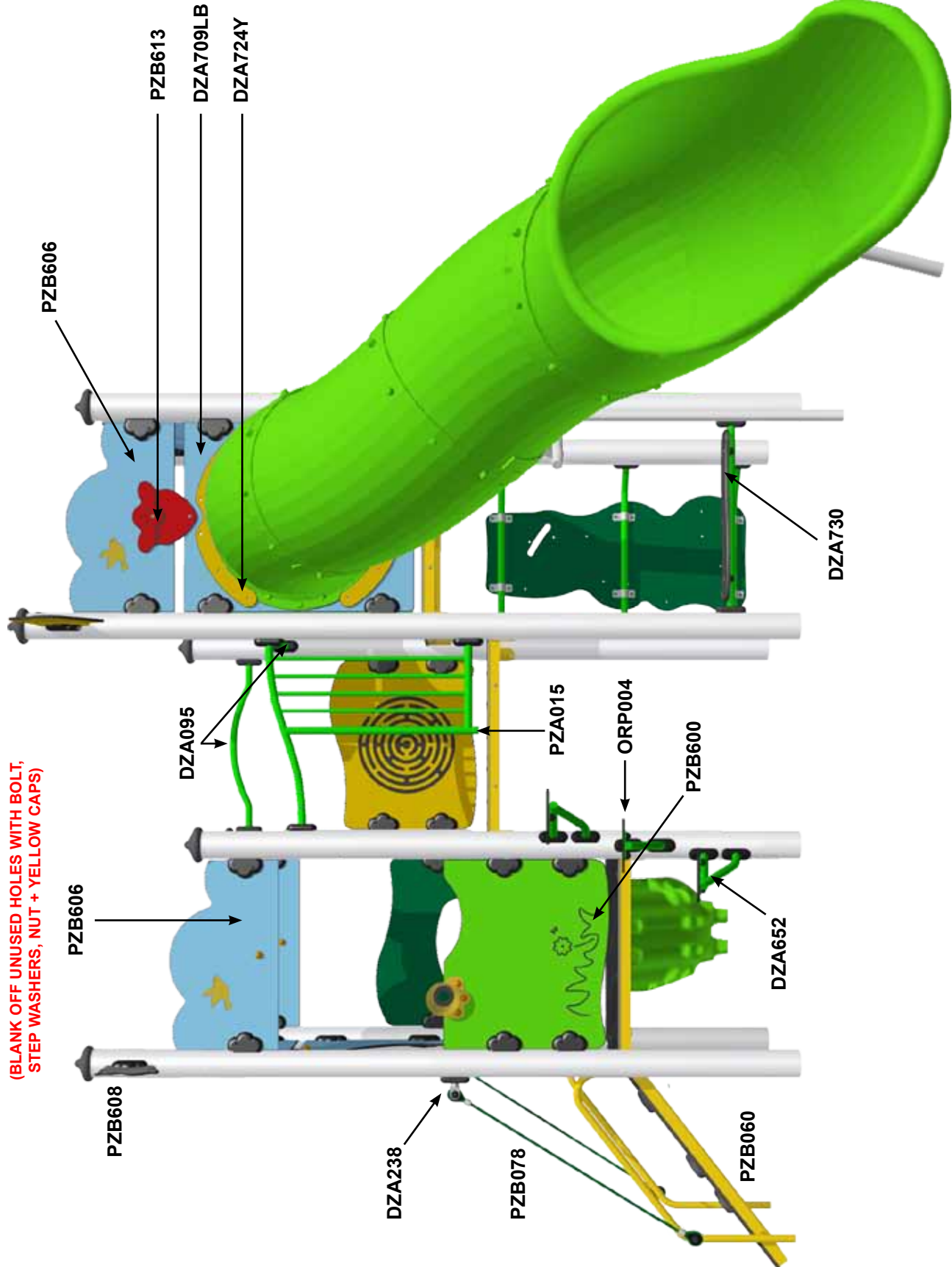
Ref	Description	Qty
DZD003	Deck Spacer Bar HPL	1
DZD010	Chequer Square Deck	3
DZA127	Ladder Rung Type One	1
DZA128	Ladder Rung Type Two	1
DZA129	Ladder Rung Type Three	1
DZD320	Deck Infill Plate	1
PZB060	0.8m Ramp	1
PZB078	Ramp Rope	2
DZA238	Rope Thimble Fixing	2
DZA652	Leafy Step Bracket	3
ORP004	Leafy Step Panel	5
DZA003	Vine Panel Dark Green	1
DZA004	Leafy Grip Panel	1
DZA095	Arch Top Rail	2
PZA050	Arch Entrance	1
PZA015	Wavy Barrier Green	1
DZA730	Seat Assembly	1
DZA648	Yellow Maze Panel	1
PZB600	Megaphone Panel	1
PZB611	Pointed Arch Panel	1
PZB612	Daisy Infill Panel	2
PZB607	Woodpecker Flag	1
PZB608	Owl Flag	1
PZB604	Sky Blue Cloud 1	3
PZB606	Sky Blue Cloud 2	2
DZA709LB	Chute Entrance	1
PZB613	Tulip Panel	2
PZB603	Hot Air Balloon	1
PZB610	Green Window Panel	1
PZB602	Chute Entrance Large	1
DZA724	Slide Clamp Panel	2
PZ1542	1.8m Tube Slide + Legs	1 set
PZ15802	0.8m Slide Green	1
PZ15802F	0.8m Slide Fixing Kit	1 set
PPW905	Posts (set of 8)	1 set
PZU905F	Fixing Kit	1 set

design
make
play
SutcliffePlay

PZW905

Playzone Unit Installation Instructions

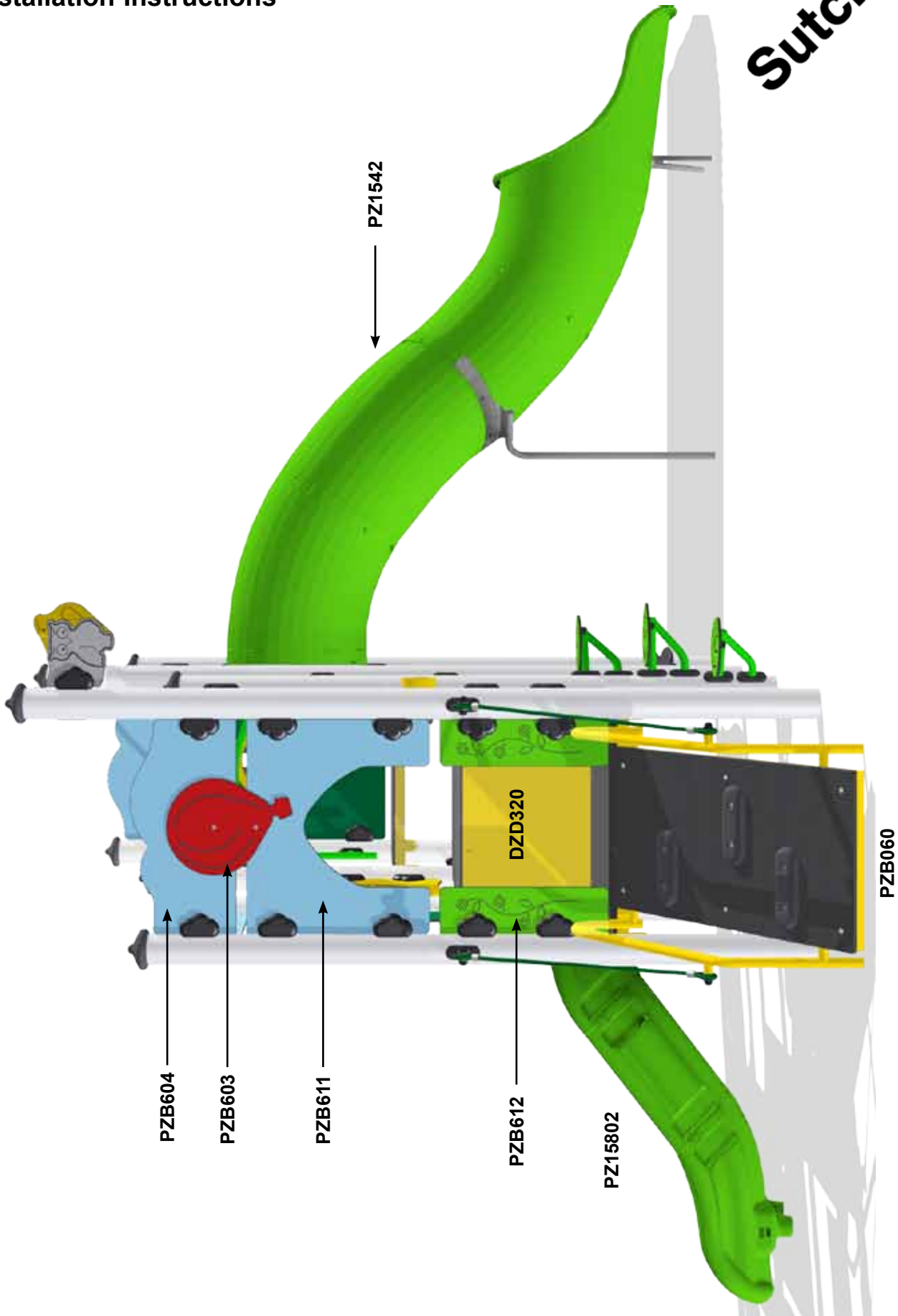
design
make
play
SutcliffePlay



PZW905

Playzone Unit Installation Instructions

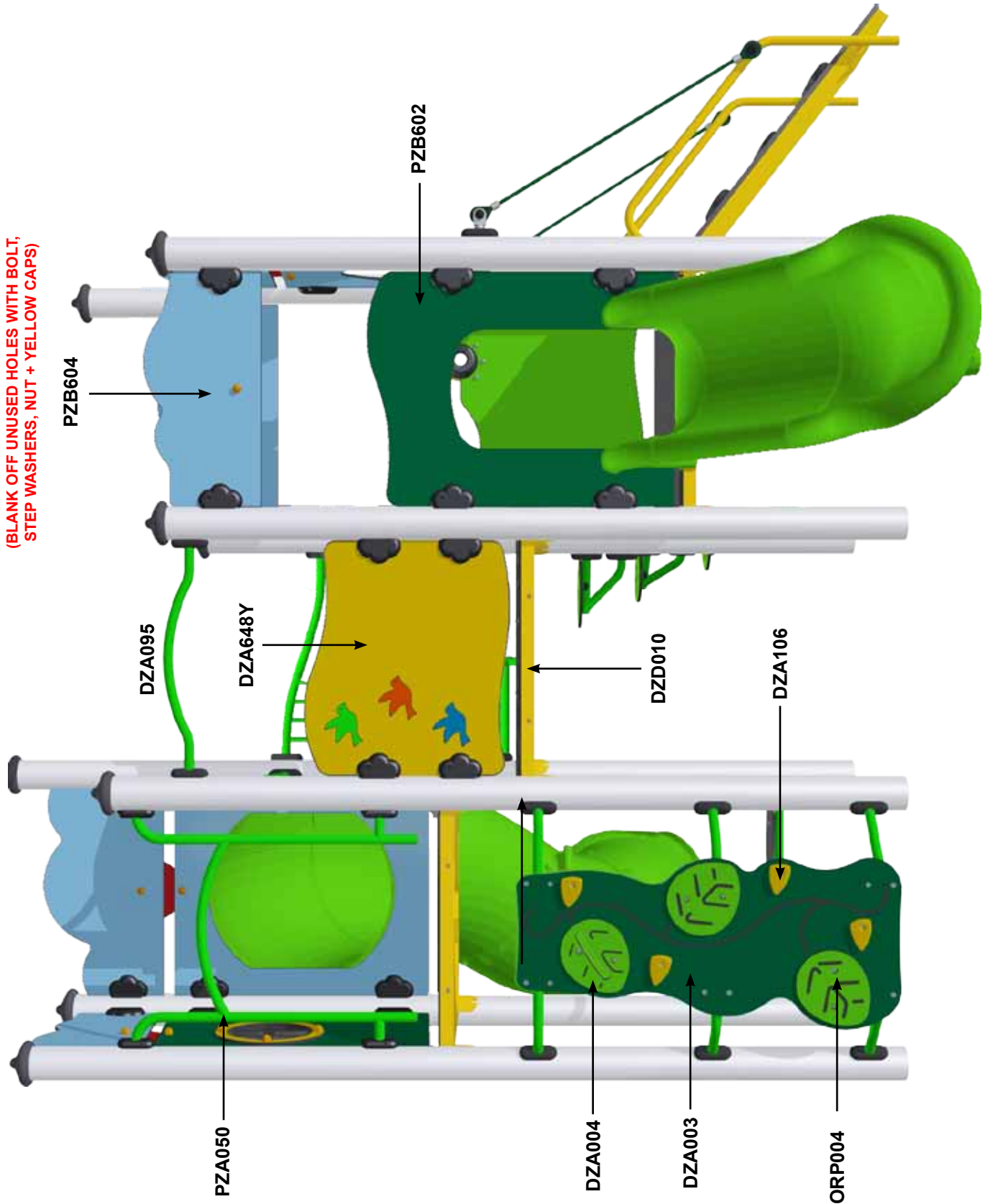
design
make
play
SutcliffePlay



PZW905

Playzone Unit Installation Instructions

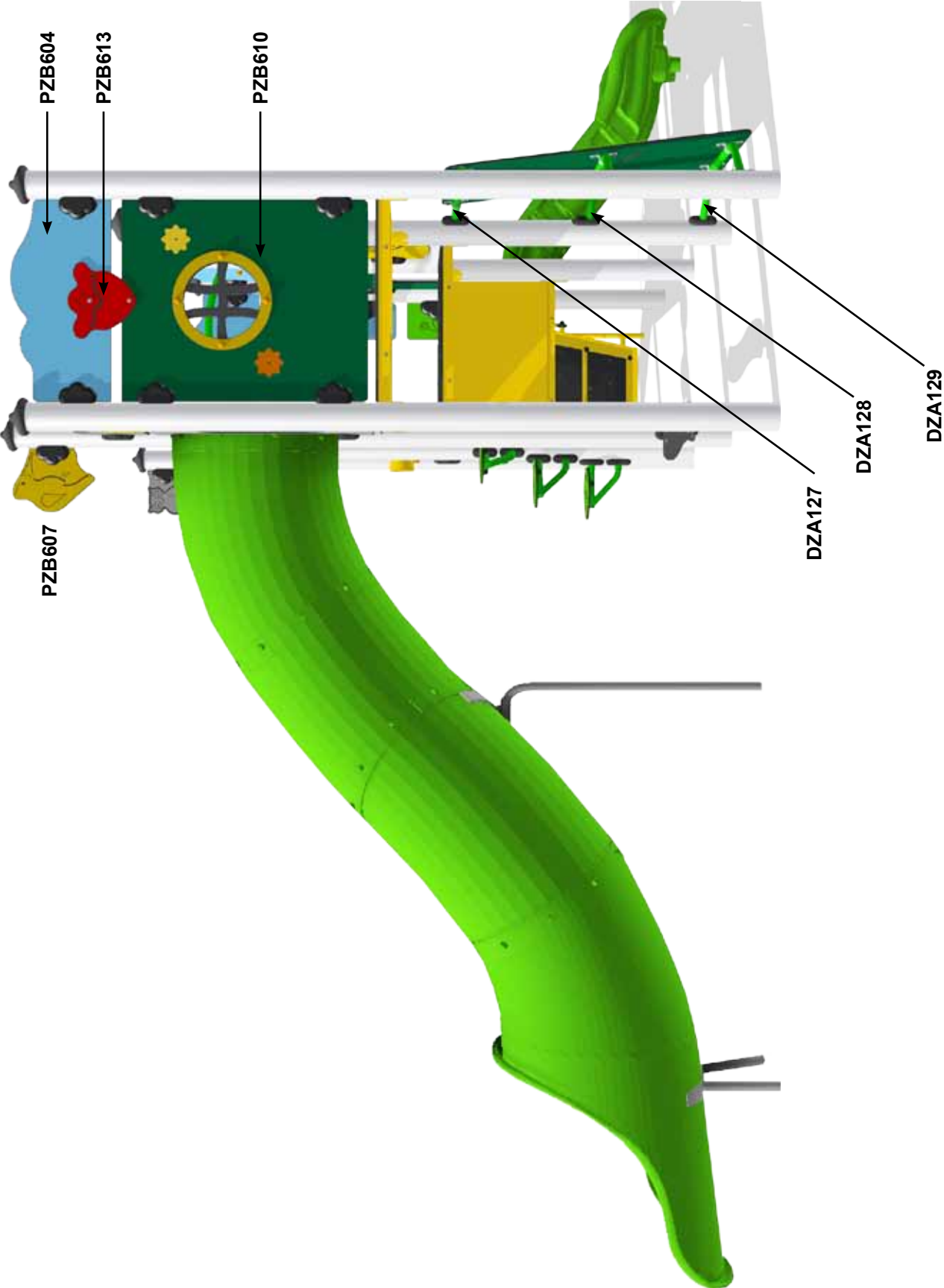
design
make
play
SutcliffePlay



PZW905

Playzone Unit Installation Instructions

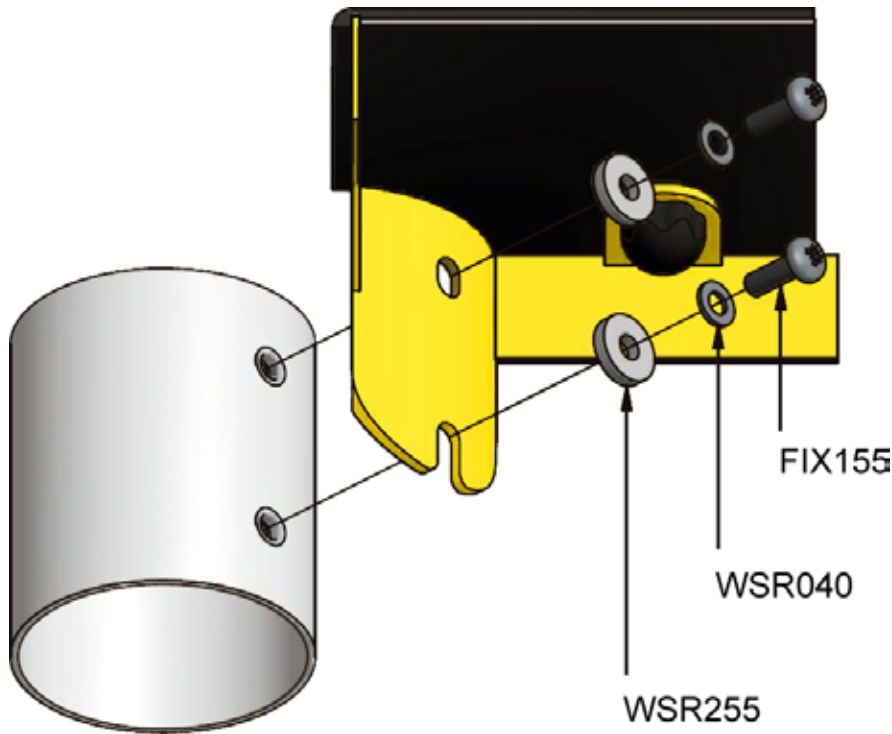
design
make
play
SutcliffePlay



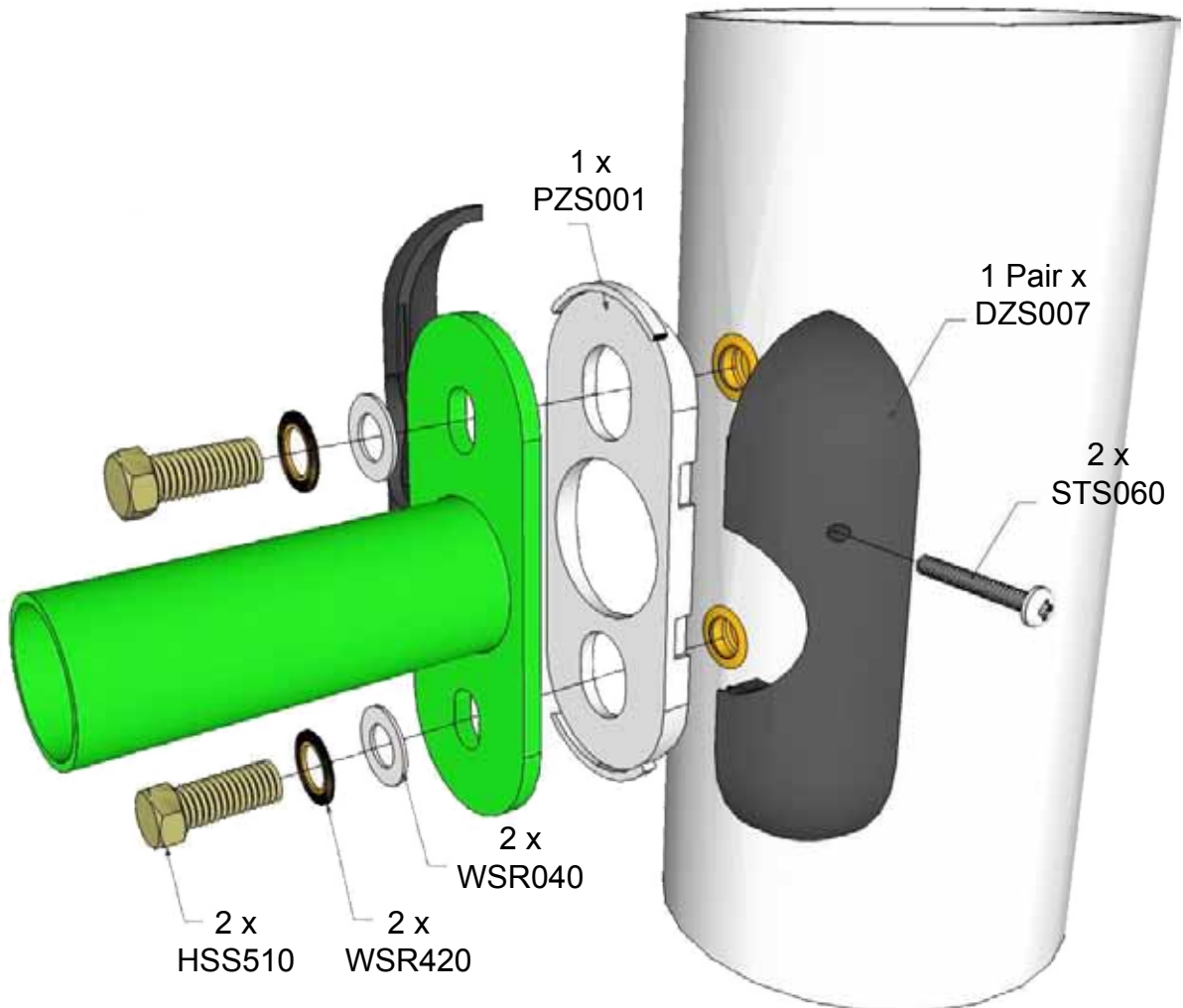
PZW905

Playzone Unit Assembly

design
make
play
SutcliffePlay



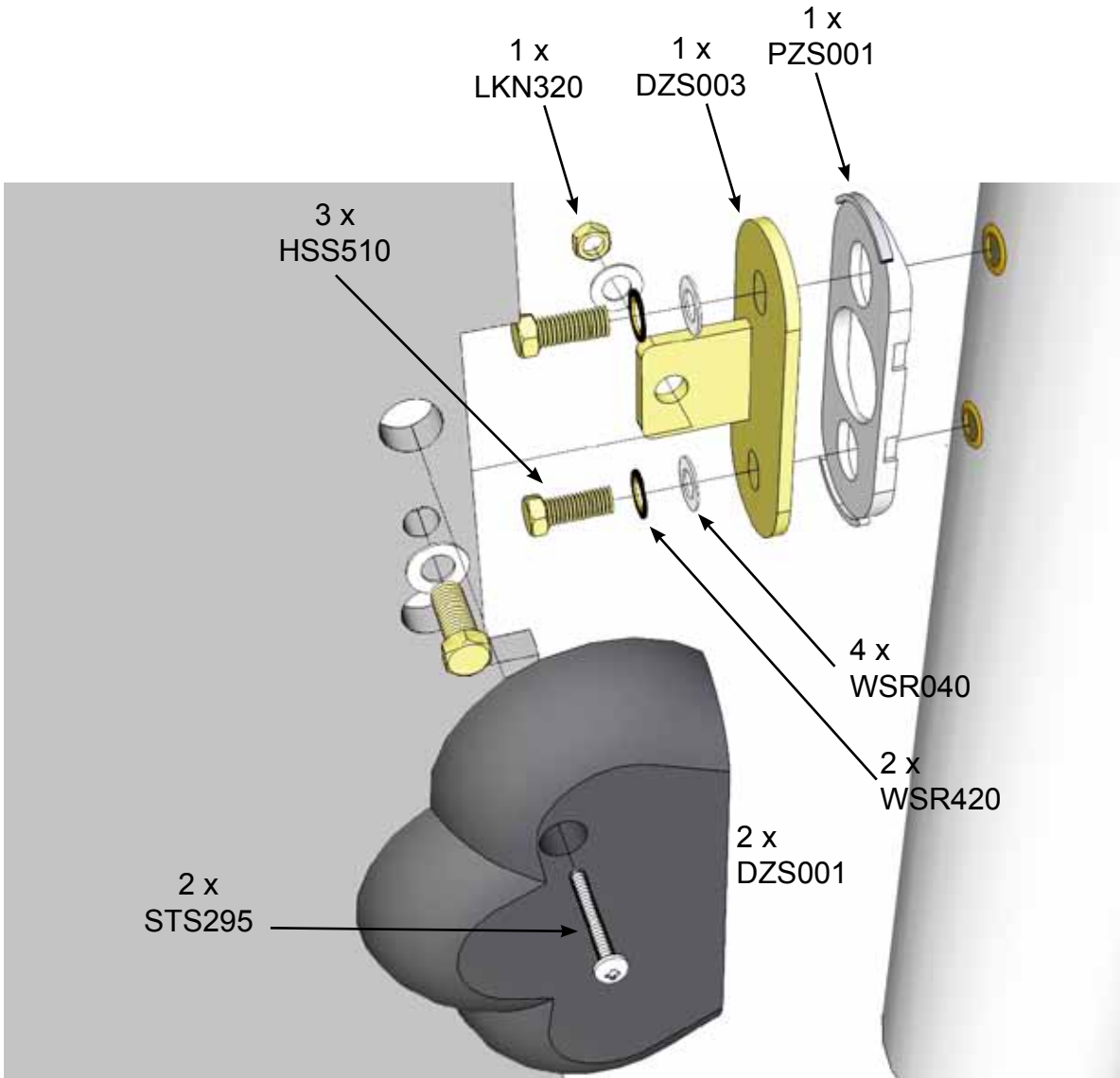
SANDWICH THE NYLON
WASHER (WSR255)
BETWEEN THE M10 PLAIN
WASHER (WSR040) AND
DECK MOUNTING PLATE



PZW905

Playzone Unit
Assembly

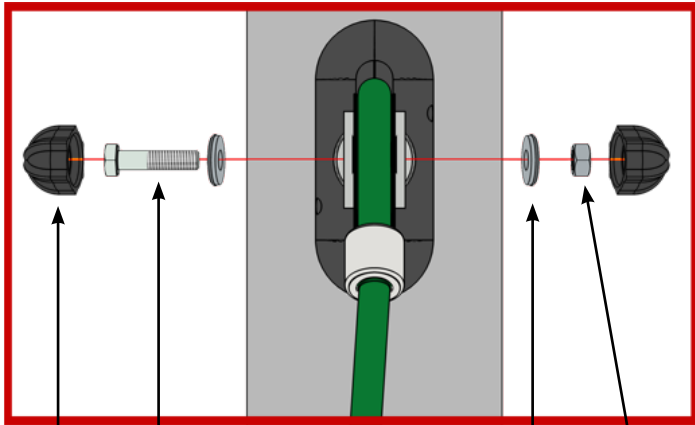
design
make
play
SutcliffePlay



PZW905

Playzone Unit Assembly

design
make
play
SutcliffePlay

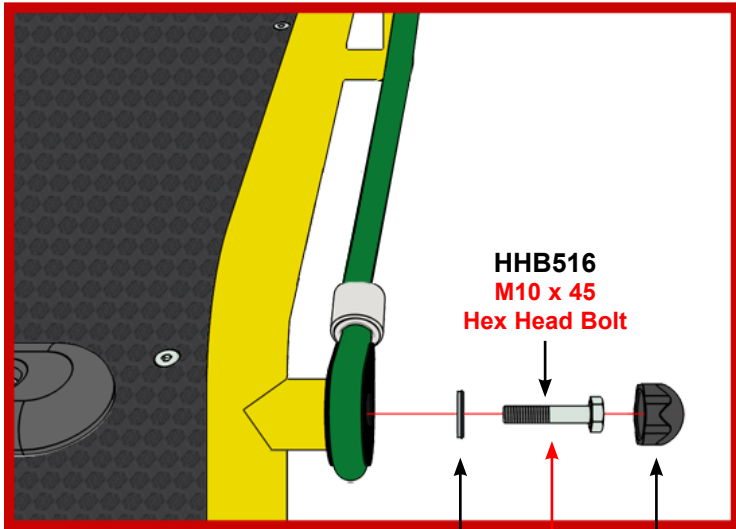


DZS005

DZS009

LKN320

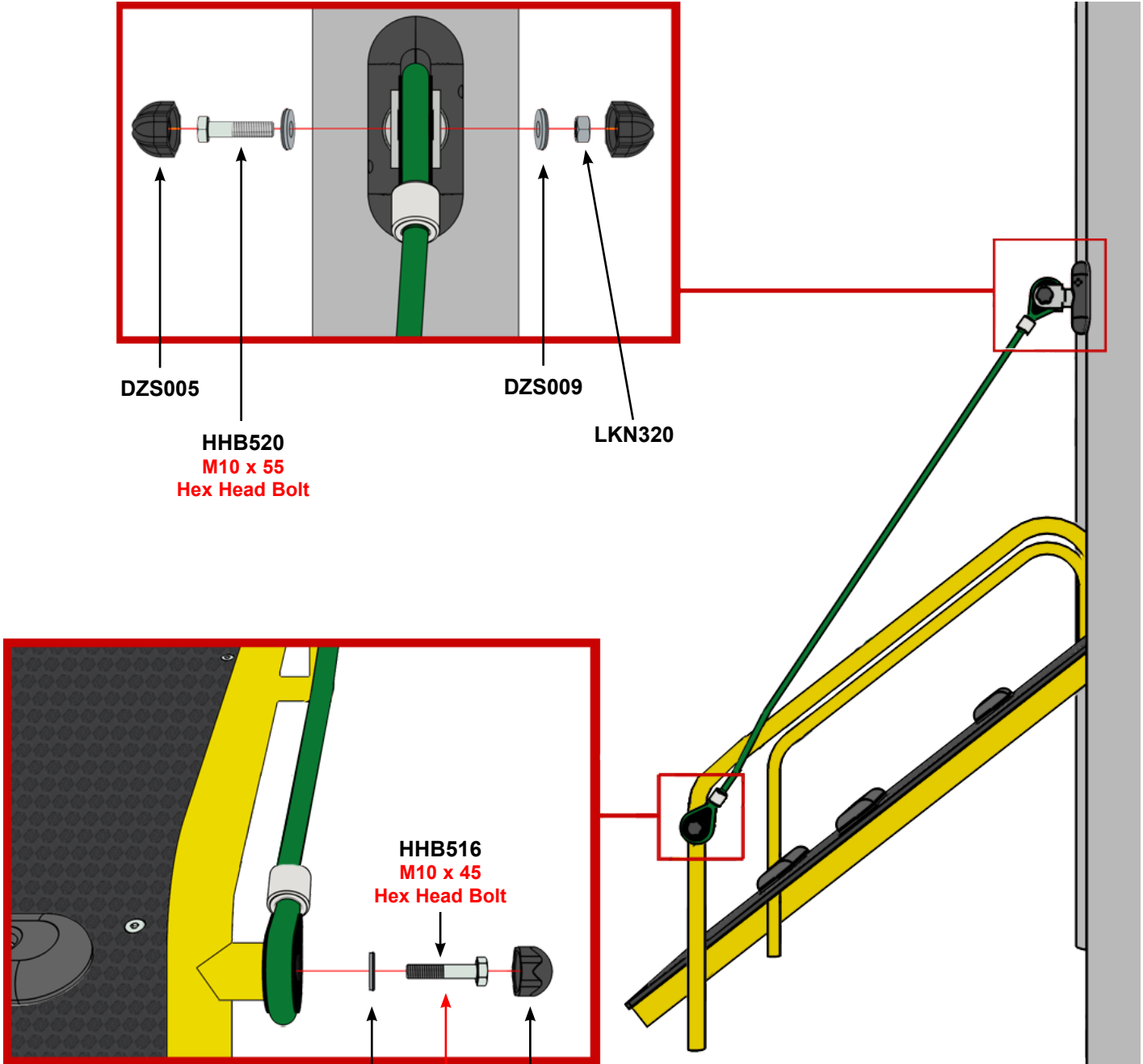
HHB520
M10 x 55
Hex Head Bolt



DZS009

DZS005

HHB516
M10 x 45
Hex Head Bolt



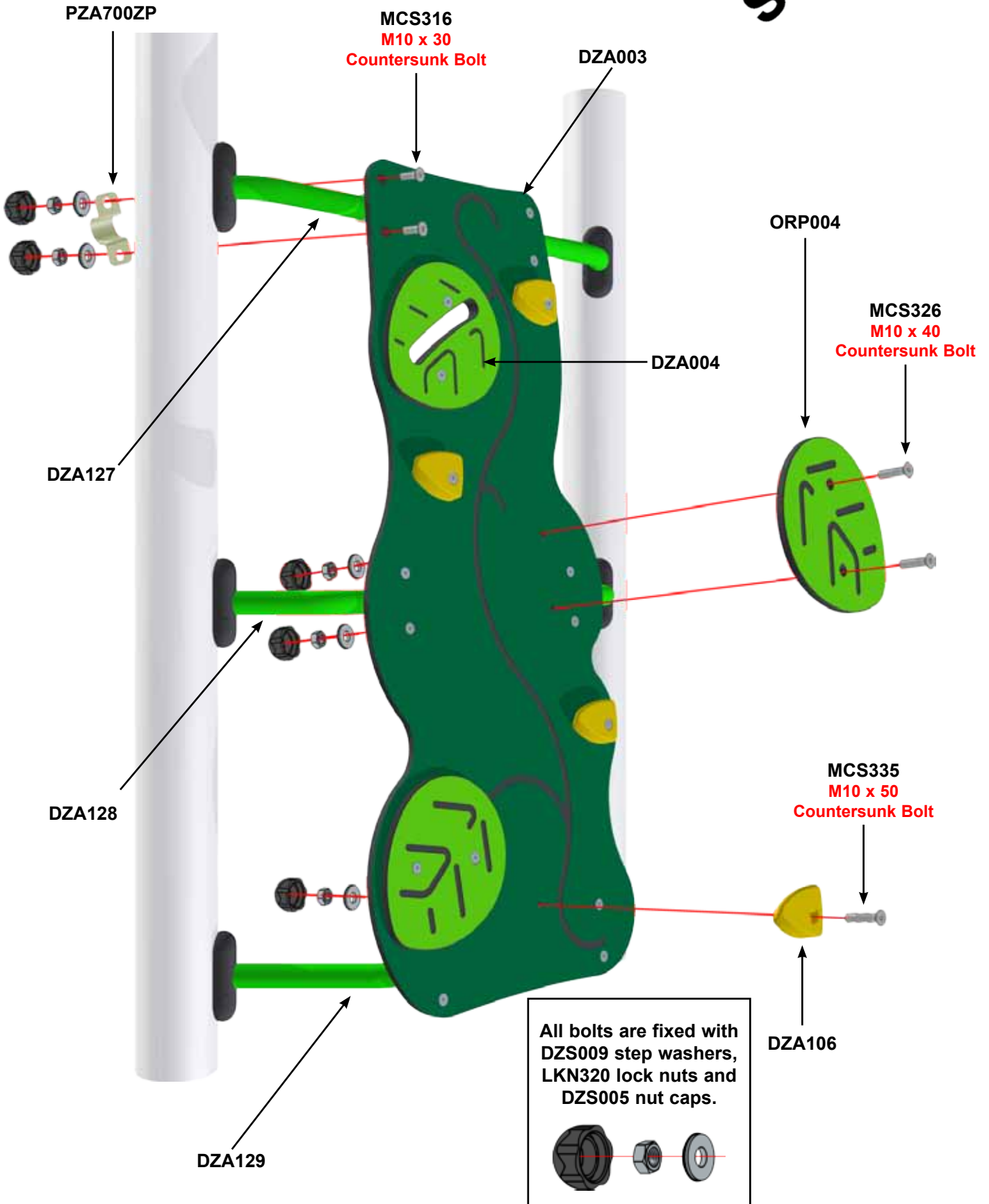
CRITICAL !

Apply thread lock
provided liberally to
the bolt thread

PZW905

Playzone Unit Assembly

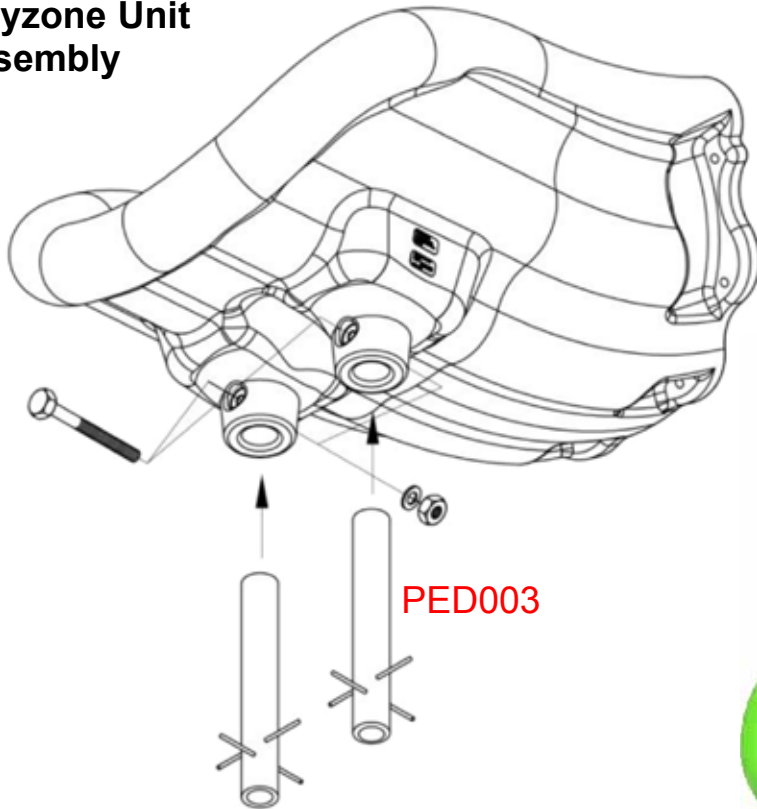
design
make
play
SutcliffePlay



PZW905

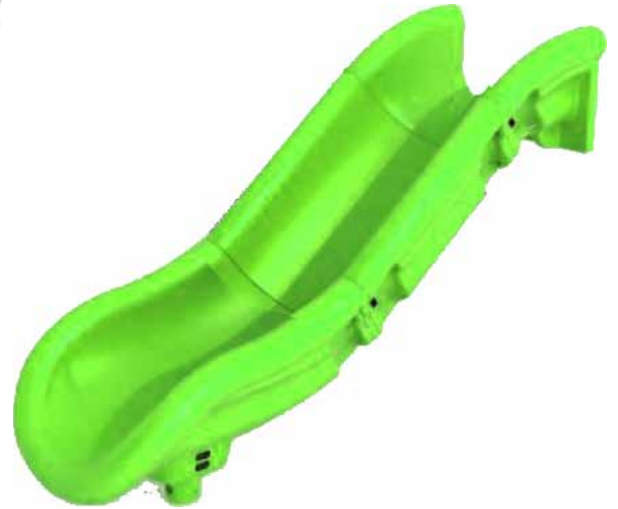
Playzone Unit
Assembly

design
make
play
SutcliffePlay



PZ15802G

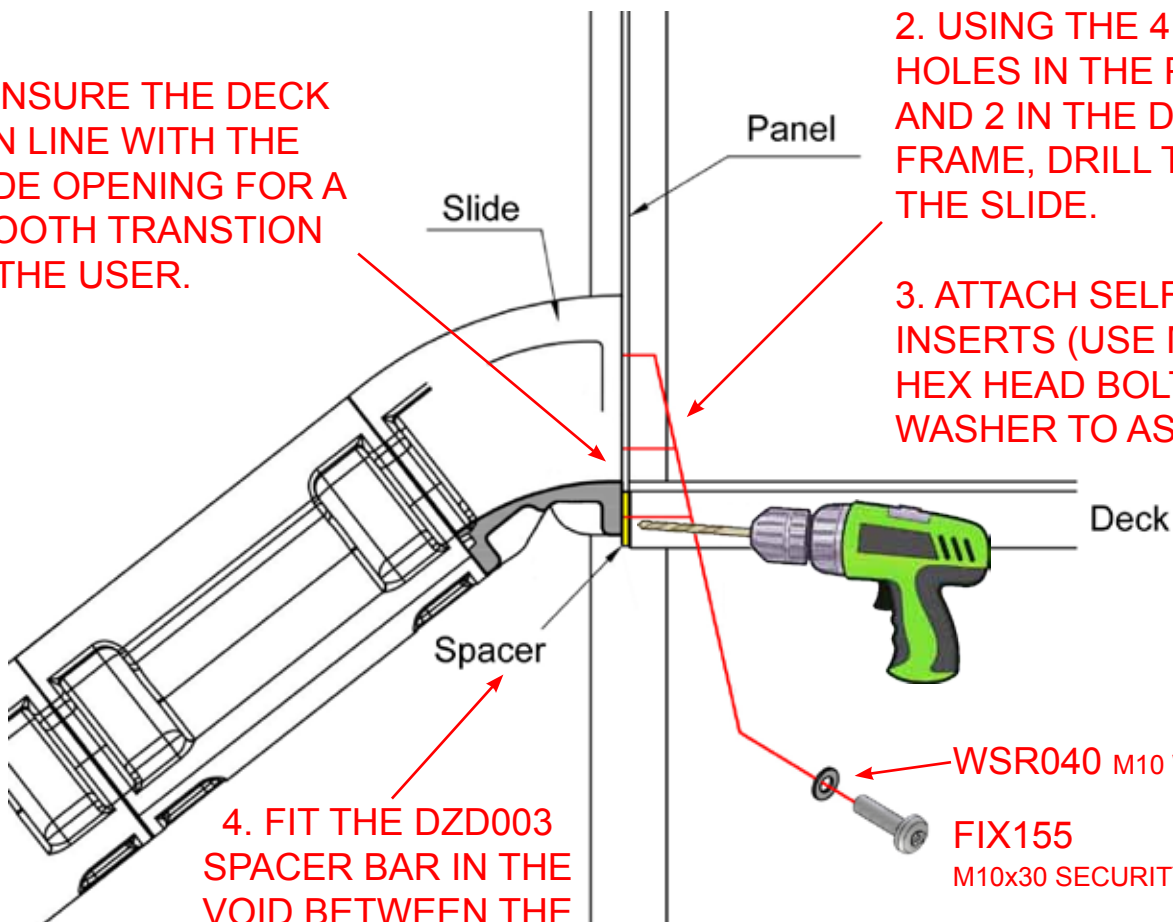
0.8m Green Open Slide



1. ENSURE THE DECK IS IN LINE WITH THE SLIDE OPENING FOR A SMOOTH TRANSITION BY THE USER.

2. USING THE 4 GUIDE HOLES IN THE PANEL AND 2 IN THE DECK FRAME, DRILL THROUGH THE SLIDE.

3. ATTACH SELF-TAPPING INSERTS (USE M10x20 HEX HEAD BOLT AND WASHER TO ASSIST).



4. FIT THE DZD003 SPACER BAR IN THE VOID BETWEEN THE SLIDE AND DECK.

WSR040 M10 Washer

FIX155
M10x30 SECURITY BOLT

PZW905

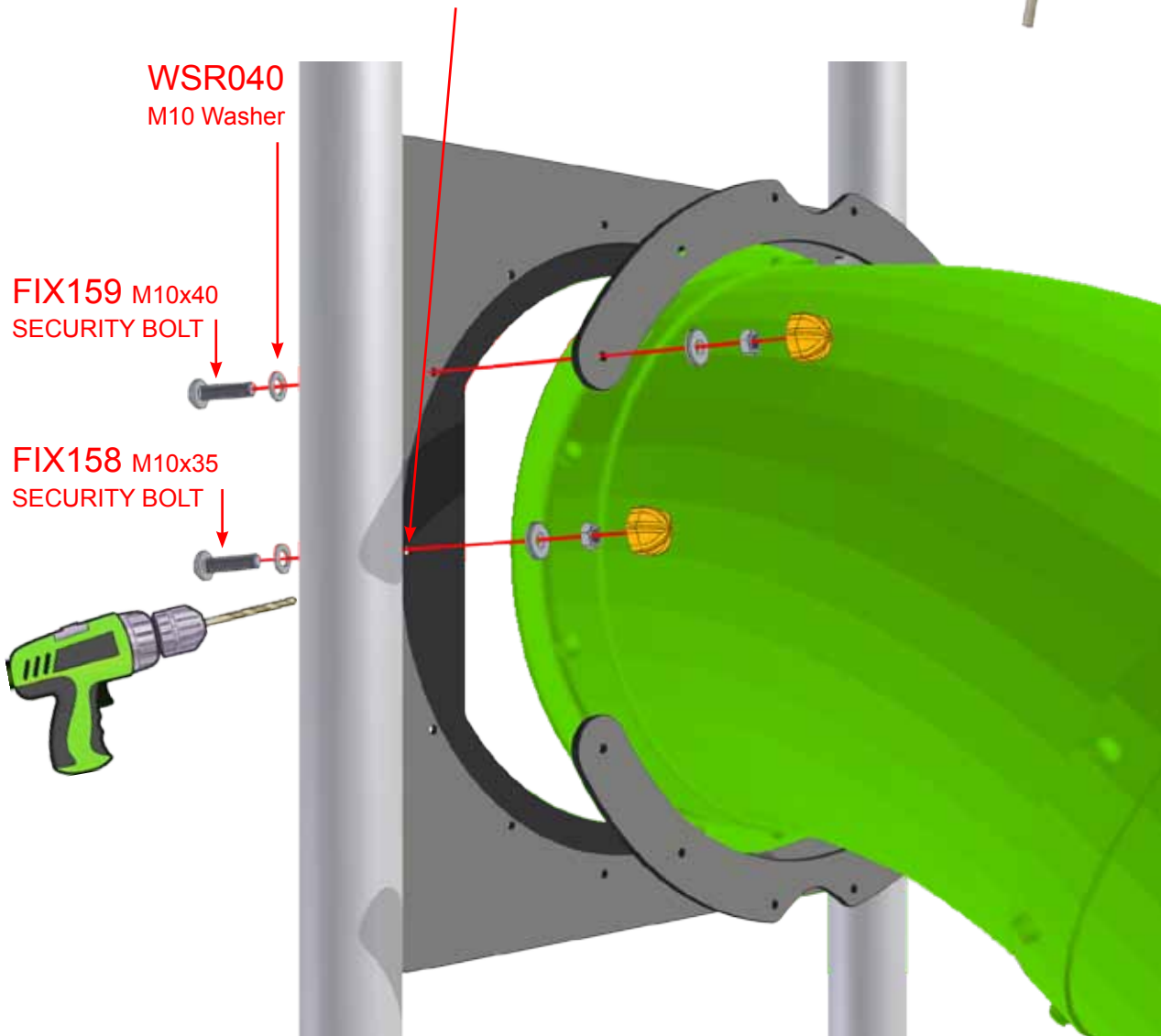
Playzone Unit
Assembly

design
make
play
SutcliffePlay

PZ1542G

1.8m Green Tube Slide

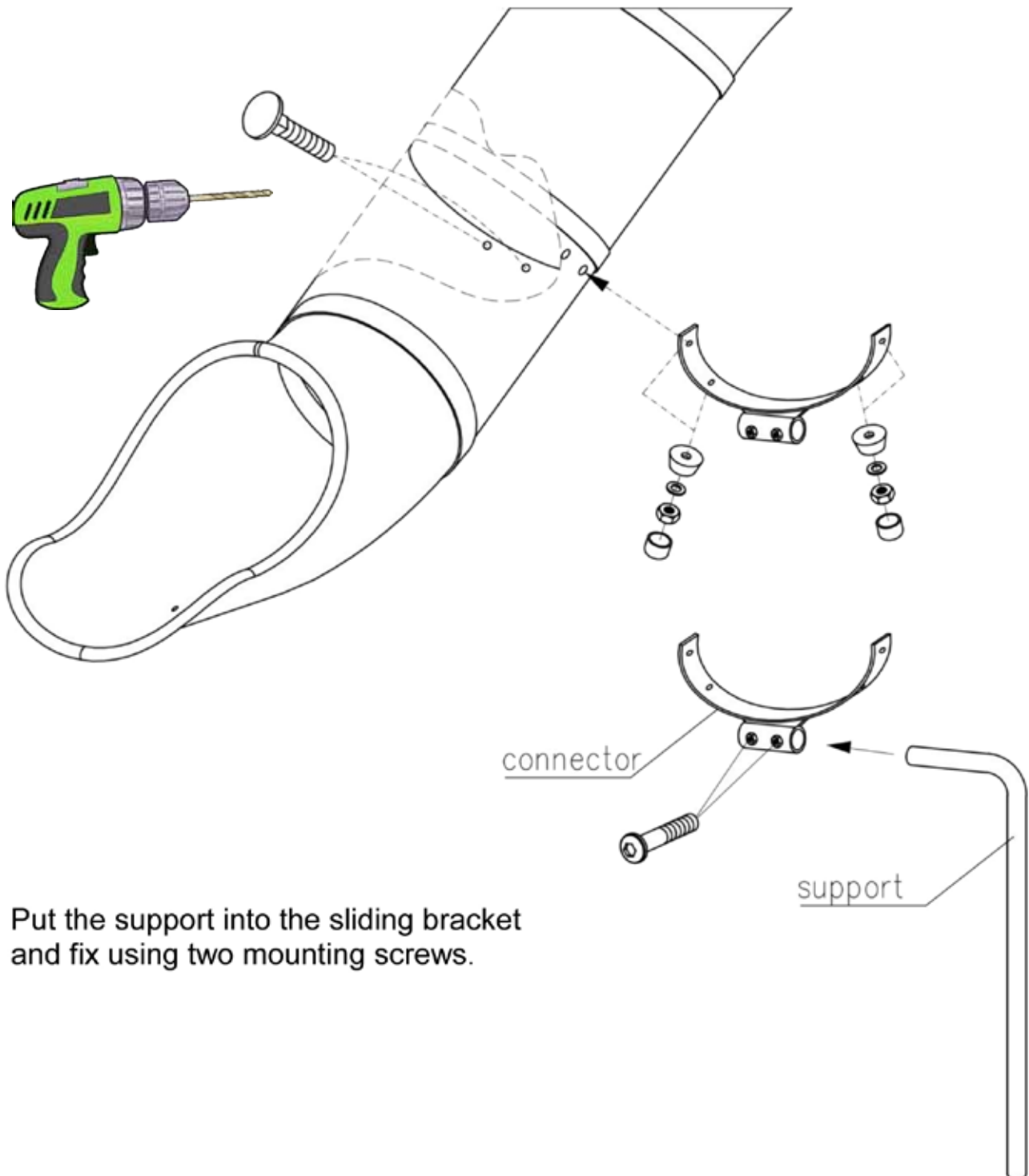
OFFER THE SLIDE TOP INTO THE PANEL BED, AND SANDWICH INTO POSITION BY BOLTING THE CURVED PANELS OVER IT. TWIST THE SLIDE INTO A POSITION THAT ALLOWS THE RUN-OUT TO SLOPE DOWNWARDS. USING THE 2 GUIDE HOLES IN THE PANEL, DRILL THROUGH THE SLIDE AND BOLT THROUGH BOTH SIDES.



PZW905

Playzone Unit Assembly

For the penultimate section of the slide, attach the bracket to the supports. Screw with M8x20mm locking screws. Adjust the holder so that the pipe in which the support is inserted, is in a horizontal position.

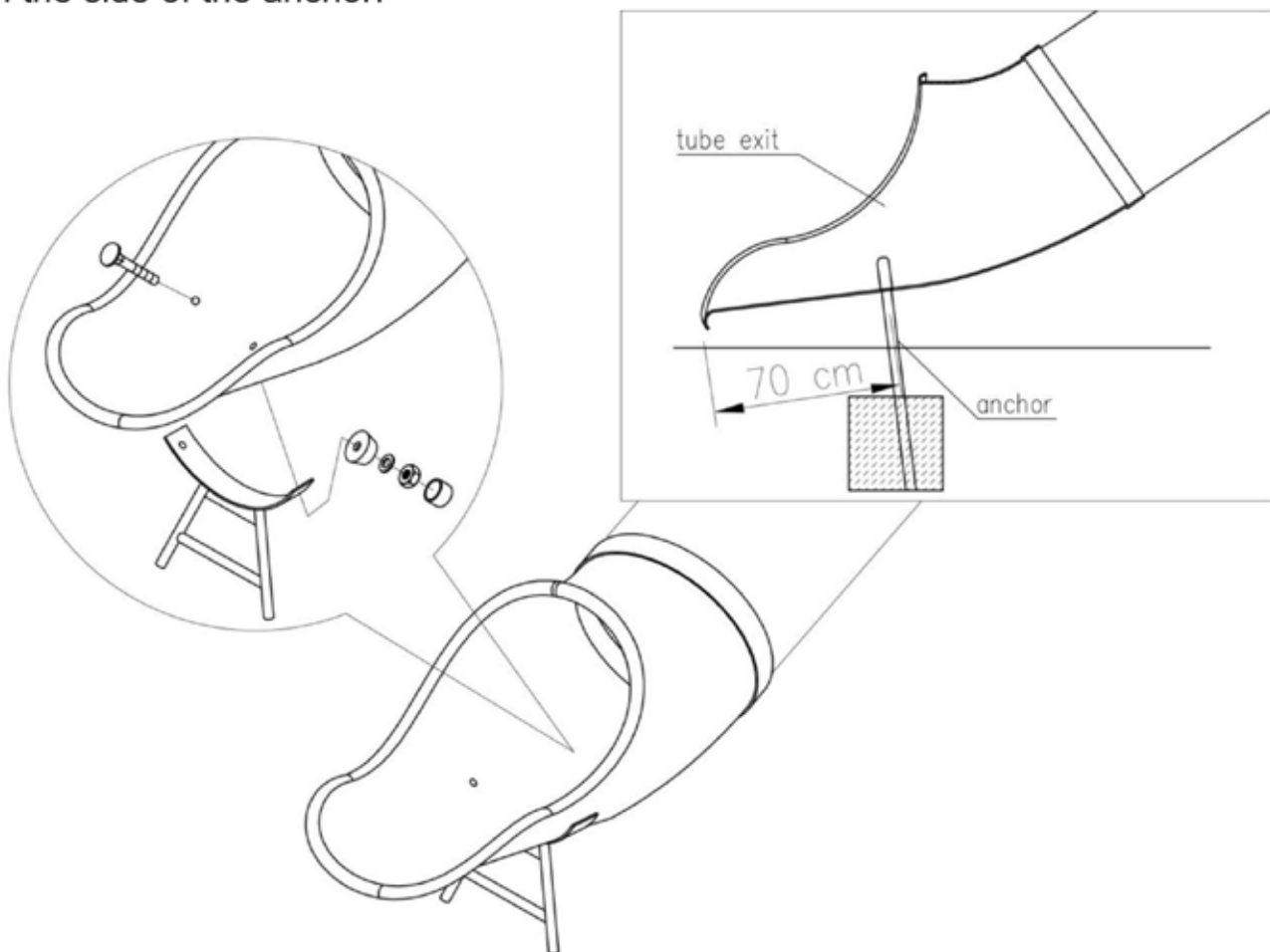


Put the support into the sliding bracket
and fix using two mounting screws.

PZW905

Playzone Unit Assembly

Apply the anchor to the outlet of the slide at a distance of 70cm from the edge, as in the drawing. Drill two holes with a 8mm bit. Fasten the steel anchor using M8 locking screws. The screw should be on the inner side of the slide, the cap with the plastic cap on the side of the anchor.



Assembly of the slide to the tower with round poles $\text{\O}114\text{mm}$. Fix the panel from the top using the clamps and fasteners to the poles, and screw the panel to the platform at the bottom.

PZW905

Playzone Unit Maintenance Instructions



NOTE

The warranty is invalidated if these instructions are not followed.
All wood needs annual inspection and retreatment where required.

Recommended Regular Inspection and Maintenance

	Interval Days				
	7	14	28	56	365
Check stability of structure, tighten connections if required.	<input type="checkbox"/>	<input type="checkbox"/>	<input type="checkbox"/>	<input checked="" type="checkbox"/>	<input type="checkbox"/>
Check all uprights at ground level for corrosion and/or rot. Replace any defective parts.	<input type="checkbox"/>	<input type="checkbox"/>	<input type="checkbox"/>	<input type="checkbox"/>	<input checked="" type="checkbox"/>
Check all painted elements for damage, rub down and repaint or replace as required.	<input type="checkbox"/>	<input type="checkbox"/>	<input type="checkbox"/>	<input checked="" type="checkbox"/>	<input type="checkbox"/>
Check chain/ropework assemblies for wear and damage, replace if required.	<input type="checkbox"/>	<input checked="" type="checkbox"/>	<input type="checkbox"/>	<input type="checkbox"/>	<input type="checkbox"/>
Check rotating and pivot points for wear and smooth running lubricate or replace if required.	<input type="checkbox"/>	<input type="checkbox"/>	<input checked="" type="checkbox"/>	<input type="checkbox"/>	<input type="checkbox"/>
Check rubber parts for wear and/or damage, replace if required.	<input type="checkbox"/>	<input type="checkbox"/>	<input checked="" type="checkbox"/>	<input type="checkbox"/>	<input type="checkbox"/>
Check tension cables, adjust if required.	<input type="checkbox"/>	<input type="checkbox"/>	<input checked="" type="checkbox"/>	<input type="checkbox"/>	<input type="checkbox"/>
Check wear of cables, replace if required.	<input type="checkbox"/>	<input type="checkbox"/>	<input checked="" type="checkbox"/>	<input type="checkbox"/>	<input type="checkbox"/>
Check slide chutes for smoothness and any foreign elements, remove any found.	<input type="checkbox"/>	<input type="checkbox"/>	<input checked="" type="checkbox"/>	<input type="checkbox"/>	<input type="checkbox"/>
Check rubber safety surfaces for damage and poor performance, repair or replace if required.	<input type="checkbox"/>	<input type="checkbox"/>	<input type="checkbox"/>	<input checked="" type="checkbox"/>	<input type="checkbox"/>
Check loose fill safety surfaces, remove any foreign elements, rake level and top up if required.	<input type="checkbox"/>	<input type="checkbox"/>	<input checked="" type="checkbox"/>	<input type="checkbox"/>	<input type="checkbox"/>

Disposal Instructions

All components should be broken down into categories of:-

- 1 **Mild Steel** - all Swing Frames, Playzone, Toddlerzone, Teenzone activities, Deck Frames and Springie Frames.
- 2 **Stainless Steel** - all Slides, Mirror Panels.
- 3 **Aluminium** - all Playzone and Toddlerzone Posts.
- 4 **Galvanised Steel** - all Chains and Teenzone Posts.
- 5 **Moulded Rubber Products without steel inserts** - all Toddlerzone Caps and edge details.
- 6 **Timber** - all natural timber, plywood, and MDF panels.

Wherever possible these materials should be taken to specialist recycling organisations and recycled.

In some cases where composite materials are used, then disposal at land fill sites is the only alternative such as:

- 7 **Moulded Rubber Products encasing steel inserts** - all Swing Seats, Deck Tops, Duo/Dizzy Disc Tops.
- 8 **High Pressure Laminate** - all Toddlerzone, Playzone and Teenzone Panels.
- 9 **Steel Core Polypropylene Rope** - all Scramble Nets, Space Nets, Playzone/Toddlerzone Ropes.