

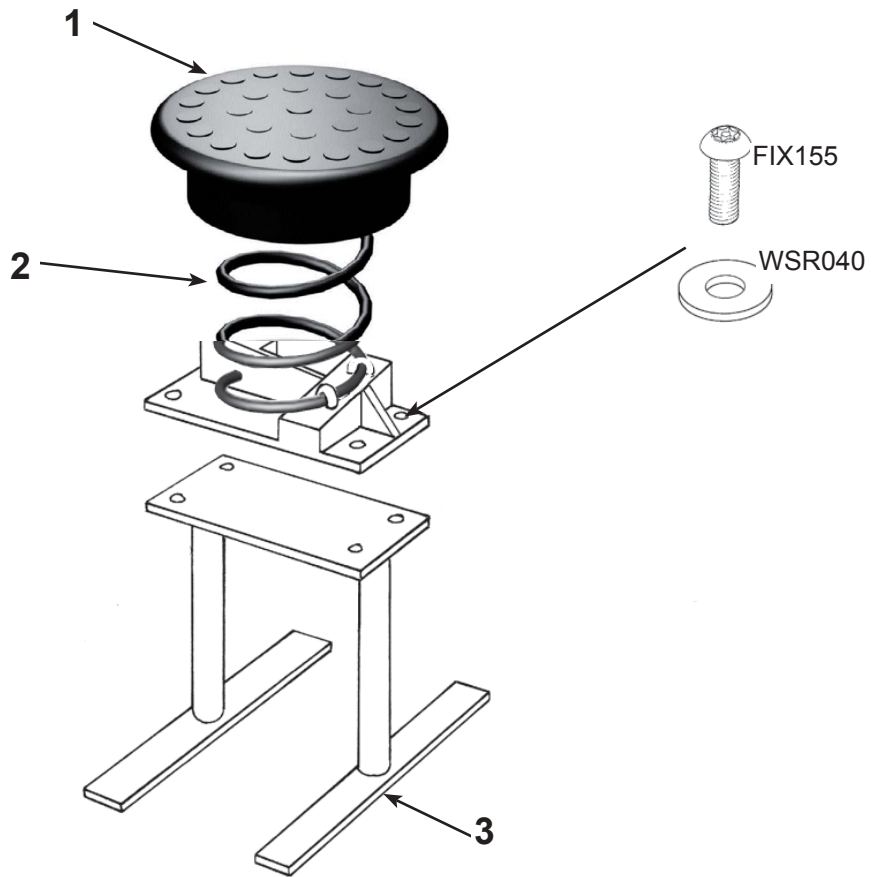
Installation instructions

Springie Pod ground fixed SSA950

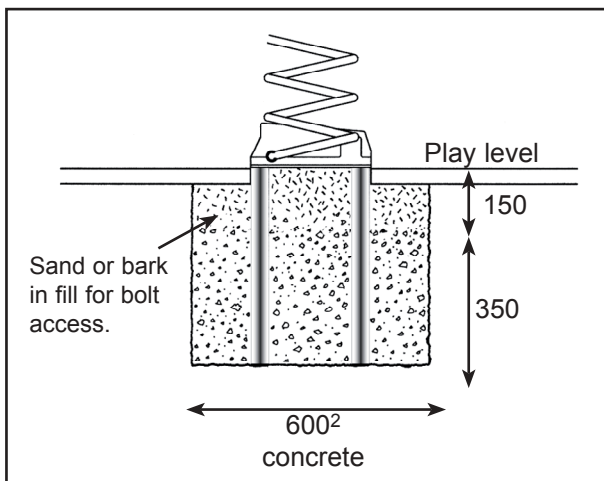
REV 03 Sheet 1 of 2

Good design
for children

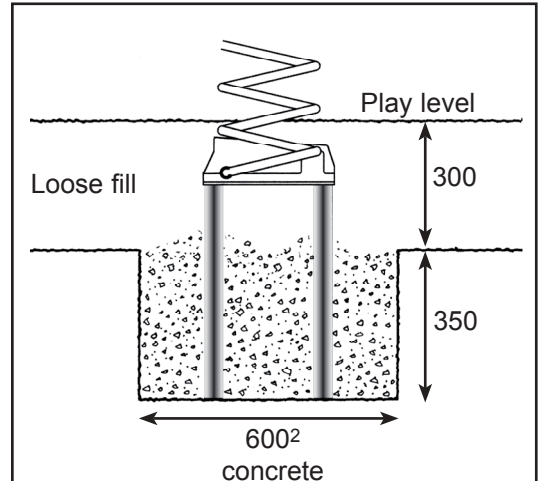
SutcliffePlay



Foundation for synthetic surfaces



Foundation for loose fill surfacing



Springie Pod

Installation procedure

REV 03 Sheet 2 of 2

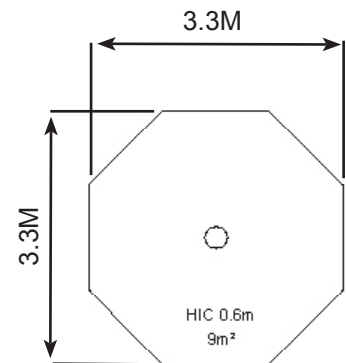
1. Plan the final position of the play equipment ensuring that there is enough space*.
2. Excavate the foundation holes in accordance with the plan**.
3. Place the ground fixing assembly in the foundation hole, ensure it is level and at the required depth. Fill with concrete.
4. When the concrete has set (2-3 days) fit the springie top.
5. Do not allow the equipment to be used until the concrete has set (2-3 days) and the required safety surface has been installed.
7. Check if all the fixing bolts are tightened.
8. Follow the maintenance instructions supplied.

Important Note

The U bolts that retain the spring may need periodic tightening.

* Care should be taken when installing to reduce the hazard for the user.

** Care should be taken if conditions aren't normal.



Space requirements to EN1176

1. Safety surface area 9m².
2. Length of safety surface perimeter 11m.

Parts list

Item	Description	Qty.	Stock No.
1	Springie Pod Full Assy	1	SSA950
2	Spring	1	SSA015
3	Ground fixing assy	1	SSA020

Required tools:

Special fixing tool FIX195
Tape measure
Spirit level
Digging implements

Good design
for children

SutcliffePlay

Waggon Lane
Upton Pontefract
West Yorkshire WF9 1JS
Telephone +44 (0)1977 653200
Facsimile +44 (0)1977 653222
info@sutcliffeplay.co.uk
www.sutcliffeplay.co.uk

SSA950

Springie pod

Maintenance Instructions

REV 03

NOTE

The warranty is invalidated if these instructions are not followed.

Recommended Regular Inspection and Maintenance

	Interval (days)				
	7	14	28	56	365
Check stability of structure, tighten connections if required.	<input type="checkbox"/>	<input type="checkbox"/>	<input type="checkbox"/>	<input checked="" type="checkbox"/>	<input type="checkbox"/>
Check all uprights at ground level for corrosion and/or rot. Replace any defective parts.	<input type="checkbox"/>	<input type="checkbox"/>	<input type="checkbox"/>	<input checked="" type="checkbox"/>	<input type="checkbox"/>
Check all painted elements for damage, rub down and repaint or replace as required.	<input type="checkbox"/>	<input type="checkbox"/>	<input type="checkbox"/>	<input checked="" type="checkbox"/>	<input type="checkbox"/>
Check rotating and pivot points for wear and smooth running lubricate or replace if required.	<input type="checkbox"/>	<input type="checkbox"/>	<input checked="" type="checkbox"/>	<input type="checkbox"/>	<input type="checkbox"/>
Check rubber parts for wear and/or damage, replace if required.	<input type="checkbox"/>	<input type="checkbox"/>	<input checked="" type="checkbox"/>	<input type="checkbox"/>	<input type="checkbox"/>
Check rubber safety surfaces for damage and poor performance, repair or replace if required.	<input type="checkbox"/>	<input type="checkbox"/>	<input type="checkbox"/>	<input checked="" type="checkbox"/>	<input type="checkbox"/>
Check loose fill safety surfaces remove any foreign elements, rake level and top up if required.	<input type="checkbox"/>	<input checked="" type="checkbox"/>	<input type="checkbox"/>	<input type="checkbox"/>	<input type="checkbox"/>
Check spring for fatigue or wear and tear	<input type="checkbox"/>	<input type="checkbox"/>	<input checked="" type="checkbox"/>	<input type="checkbox"/>	<input type="checkbox"/>

Good design
for children
SutcliffePlay

Disposal Instructions

All components should be broken down into categories of:

1. **Mild steel** - all swing frames, Playzone, Toddlerzone, Teenzone activities, deck frames and springie frames.
2. **Stainless Steel** - all slides, mirror panels.
3. **Aluminium** - all Playzone and Toddlerzone posts and Playzone post caps.
4. **Galvanised steel** - all chains and Teenzone posts.
5. **Moulded rubber products without steel centres** - all Toddlerzone caps and edge details.
6. **Timber** - all natural timber, plywood and mdf panels.

Wherever possible these materials should be taken to specialist recycling organisations and recycled.

In some cases where composite materials are used then disposal at land fill sites is the only alternative such as:

7. **Moulded rubber products encasing steel centres** - all seats, deck tops, duo/dizzy disc tops.
8. **High pressure laminate** - all Toddlerzone, Playzone panels.
9. **Steel core polypropylene rope** - all scramble nets, space nets, Playzone/Toddlerzone ropes and rope bridges.