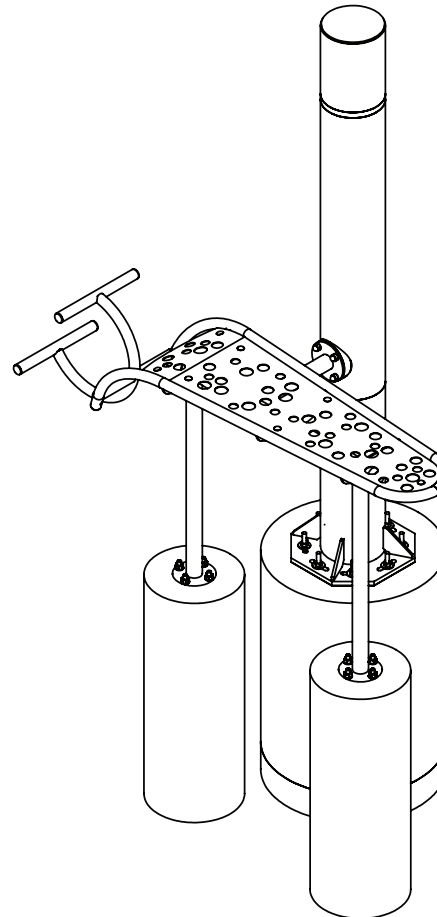
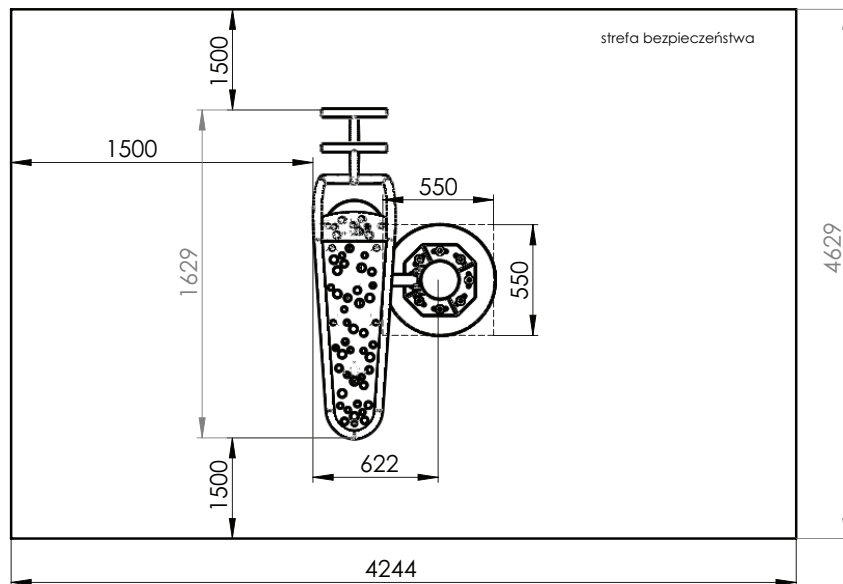
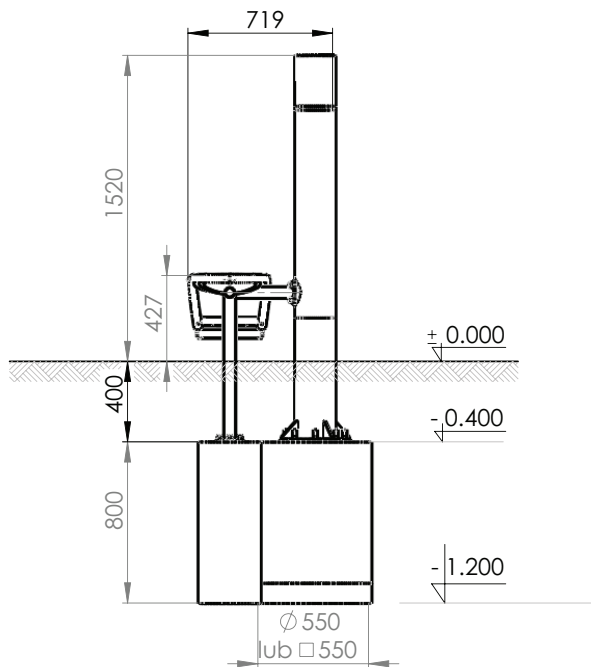


# SIT-UP BENCH

**Security norm**  
**PN-EN16630:2015-06E**

Devices designed exclusively for physical exercise.  
Use the devices in accordance with the instruction.

**Catalogue number: PA01000**  
**Date of production: 01/2017**



Dimensions of the device 622x1629x1520 mm  
Safety zone: 4250x4630 mm

Parts of the body: strength and strengthening of the lower body parts.

Maximum load: **155 kg**

The foundation should be made of C20 / 25 (B25) concrete and down in it a steel foundation brand.

Foundation below the freezing zone. -1,200 m

The pole assembly can be started 24 hours after the completion of concrete work.

After stabilizing and finally fixing the pole in the place of connection to the concrete foundation it should be make a chute from specialist quick-setting mortar.

The device can be fully turned on after 28 days from completion of concrete works.

**BODYS**

**Bodys Sp. z o.o., ul. Patriotów 174, 04-832 Warszawa**  
**tel.: + 48 507 175 332, biuro@bodys.pl, www.bodys.pl**

