

RAILS

Security norm
PN-EN16630:2015-06E

Devices designed exclusively for physical exercise.
Use the devices in accordance with the instruction.

Catalogue number: PA00458
Date of production: 01/2017

Dimensions of the device 526x880x2020 mm
Safety zone: 3550x4760 mm

Parts of the body: strength and strengthening of the upper body parts.

Maximum load: **155 kg**

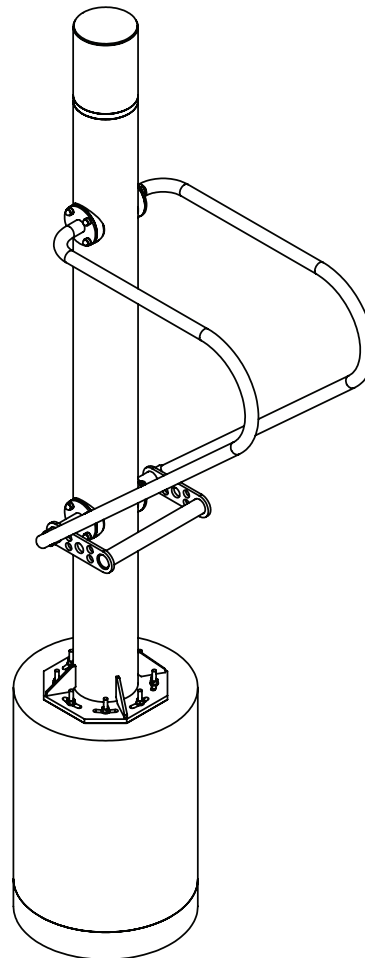
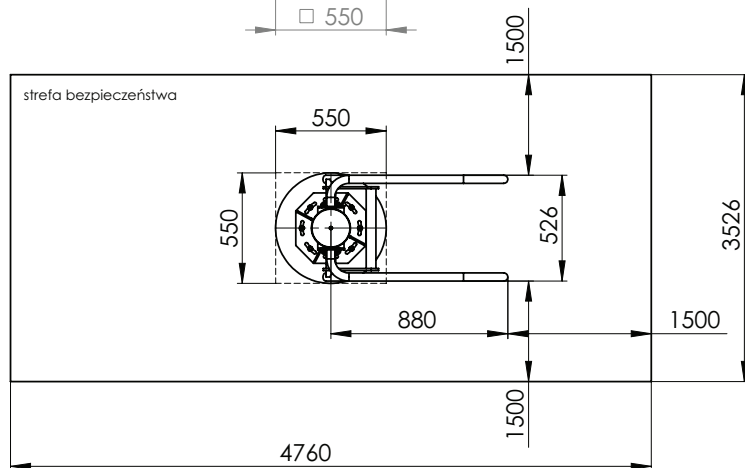
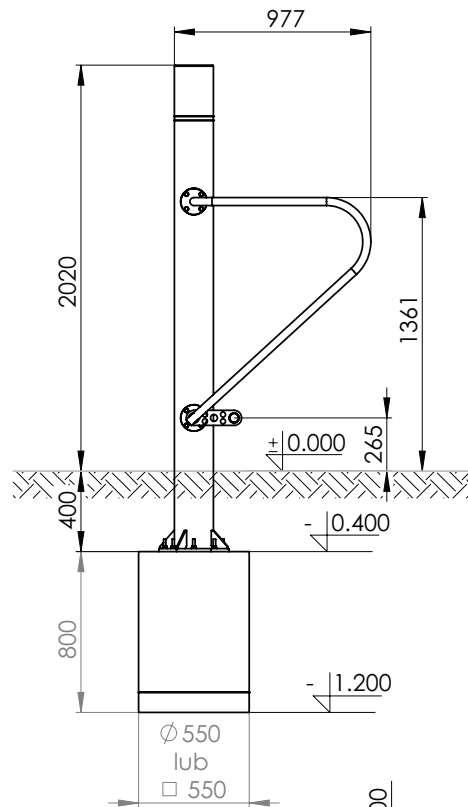
The foundation should be made of C20 / 25 (B25) concrete and down in it a steel foundation brand.

Foundation below the freezing zone. -1,200 mm

The pole assembly can be started 24 hours after the completion of concrete work.

After stabilizing and finally fixing the pole in the place of connection to the concrete foundation it should be make a chute from specialist quick-setting mortar.

The device can be fully turned on after 28 days from completion of concrete works.



BODY5

Bodys Sp. z o.o., ul. Patriotów 174, 04-832 Warszawa
tel.: + 48 507 175 332, biuro@bodys.pl, www.bodys.pl

