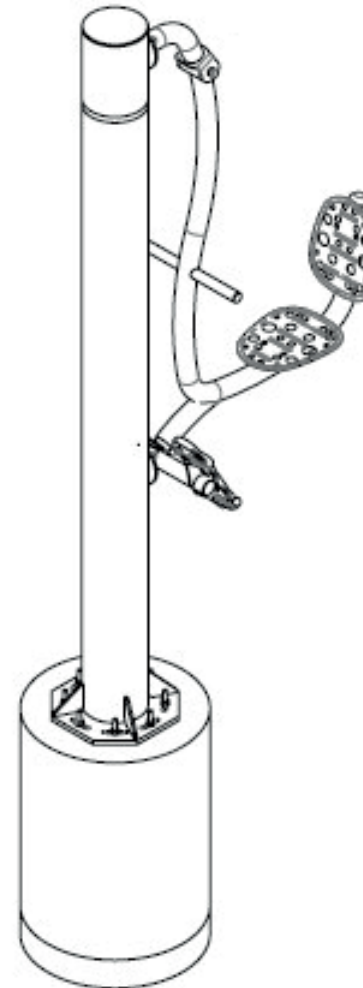
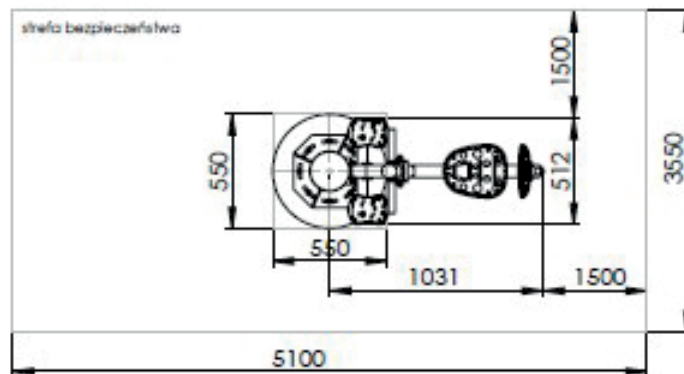
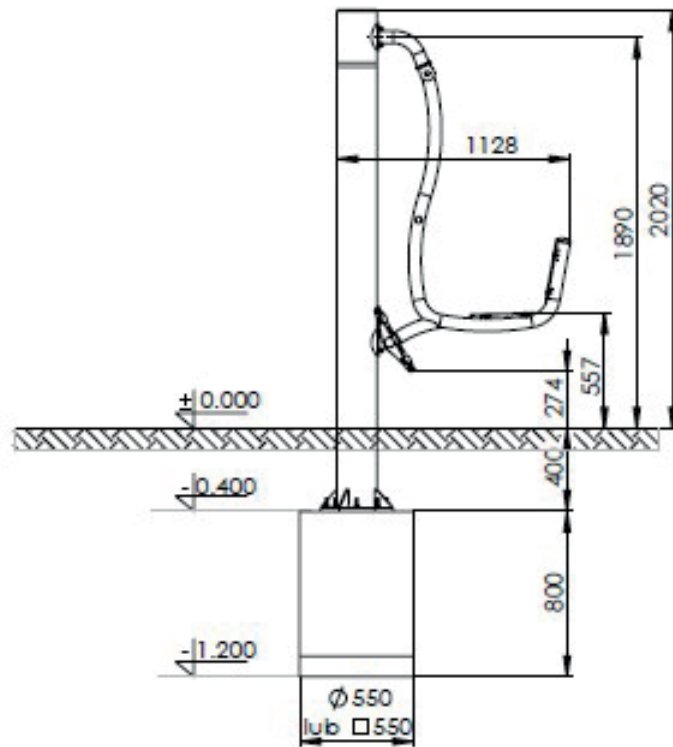


# LEG PRESS

Security norm  
PN-EN16630:2015-06E

Devices designed exclusively for physical exercise.  
Use the devices in accordance with the instruction.

Catalogue number: PA00441  
Date of production: 01/2017



Dimensions of the device 1031 x 550 x 2020mm

Safety zone: 3550 x 5100 mm

Parts of the body: strengthens the muscles of the arms, chest and back

Maximum load: **155 kg**

The foundation should be made of C20 / 25 (B25) concrete and drown in it a steel foundation brand.

Foundation below the freezing zone. -1,200 m

The pole assembly can be started 24 hours after the completion of concrete work.

After stabilizing and finally fixing the pole in the place of connection to the concrete foundation it should be make a chute from specialist quick-setting mortar.

The device can be fully turned on after 28 days from completion of concrete works.

**BODYS**

Bodys Sp. z o.o., ul. Patriotów 174, 04-832 Warszawa  
tel.: +48 507 175 332, biuro@bodys.pl, www.bodys.pl

