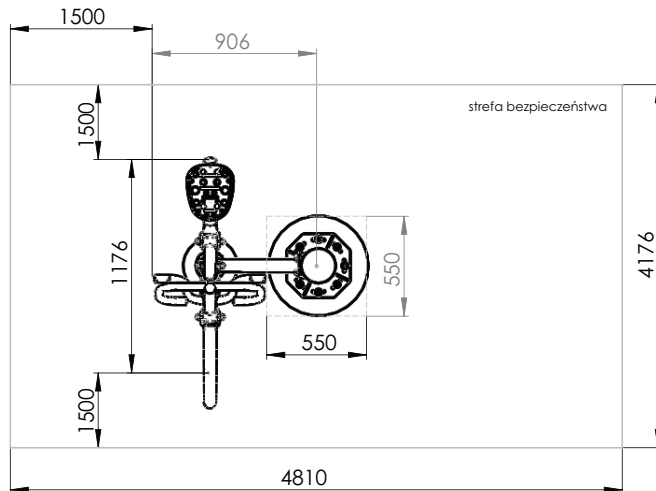
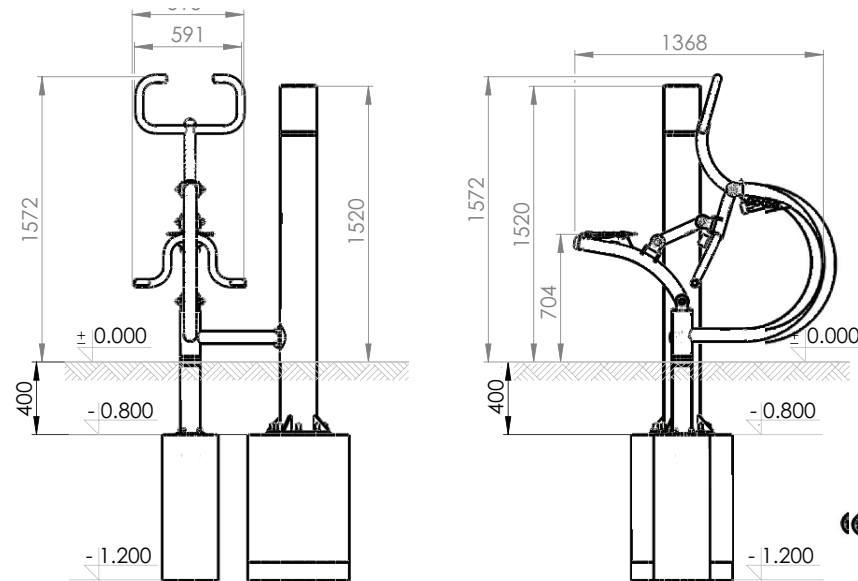
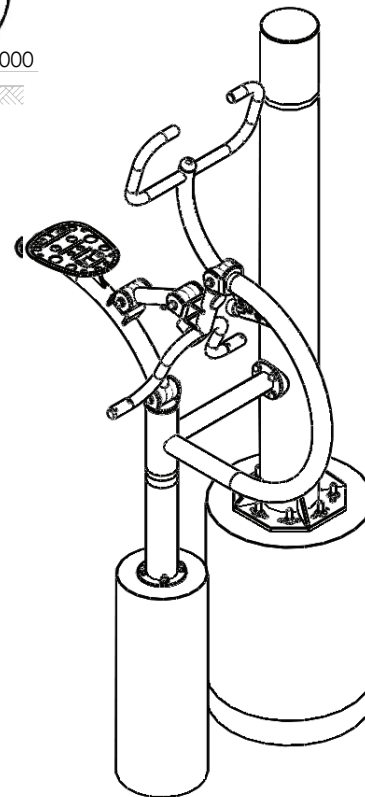


HORSE RIDER

Security norm
PN-EN16630:2015-06E

Devices designed exclusively for physical exercise.
Use the devices in accordance with the instruction.

Catalogue number: PA00478
Date of production: 01/2017



Dimensions of the device 616x1176x1572 mm
Safety zone: 4200x4850 mm

Parts of the body: strength and strengthening of the
upper body parts.

Maximum load: **155 kg**

The foundation should be made of C20 / 25 (B25)
concrete and down in it a steel foundation brand.

Foundation below the freezing zone. -1,200 m

The pole assembly can be started 24 hours after
the completion of concrete work.

After stabilizing and finally fixing the pole in the
place of connection to the concrete foundation
it should be make a chute from specialist
quick-setting mortar.

The device can be fully turned on after 28 days
from completion of concrete works.

BODYS

Bodys Sp. z o.o., ul. Patriotów 174, 04-832 Warszawa
tel.: + 48 507 175 332, biuro@bodys.pl, www.bodys.pl

