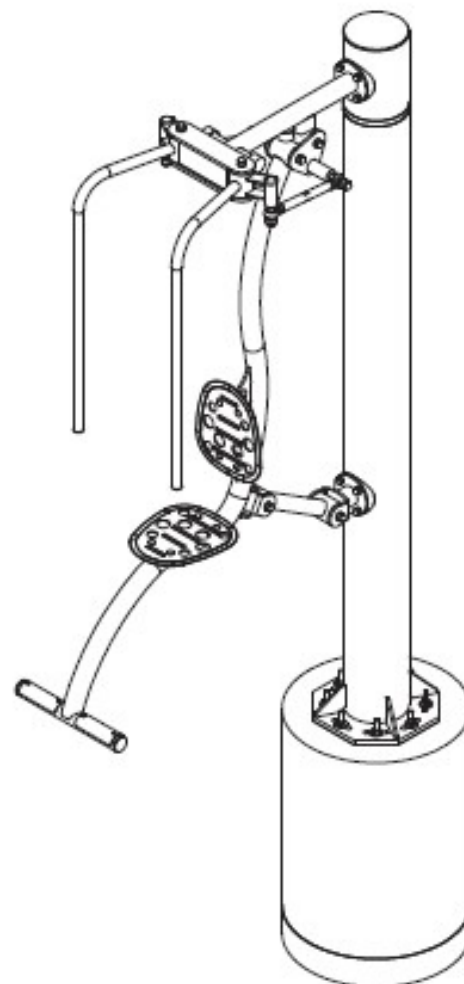
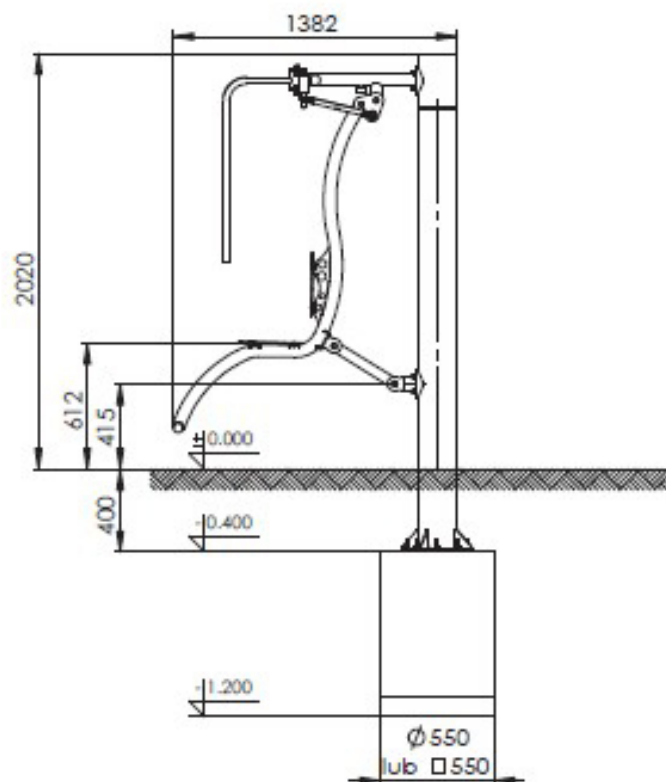


# BUTTERFLY

Security norm  
PN-EN16630:2015-06E

Devices designed exclusively for physical exercise.  
Use the devices in accordance with the instruction

Catalogue number: PA01046  
Date of production: 02/2018



Dimensions of the device 1295 x 473 x 2020 mm  
Safety zone: 3473 x 5570

Parts of the body: strengthens the muscles of the  
arms, chest and back

Maximum load: **155 kg**

The foundation should be made of C20/25  
(B25) concrete and drown in it a steel foundation  
brand.

Foundation below the freezing zone. -1,200 m

The pole assembly can be started 24 hours  
after the completion of concrete work.

After stabilizing and finally fixing the pole in the  
place of connection to the concrete foundation  
it should be make a chute from specialist quick-  
-setting mortar.

The device can be fully turned on after 28 days  
from completion of concrete works.

**BODYS**

Bodys Sp. z o.o., ul. Patriotów 174, 04-832 Warszawa  
tel.: +48 507 175 332, biuro@bodys.pl, www.bodys.pl

