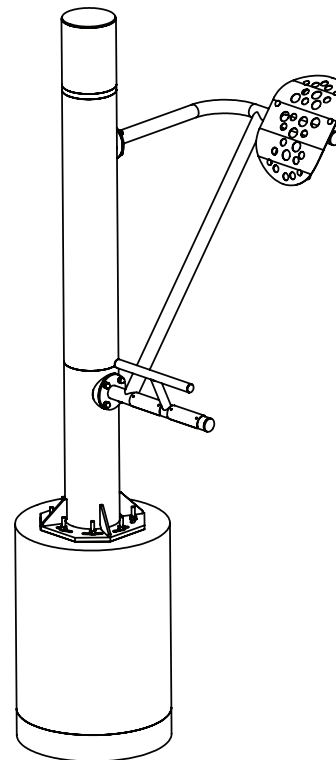
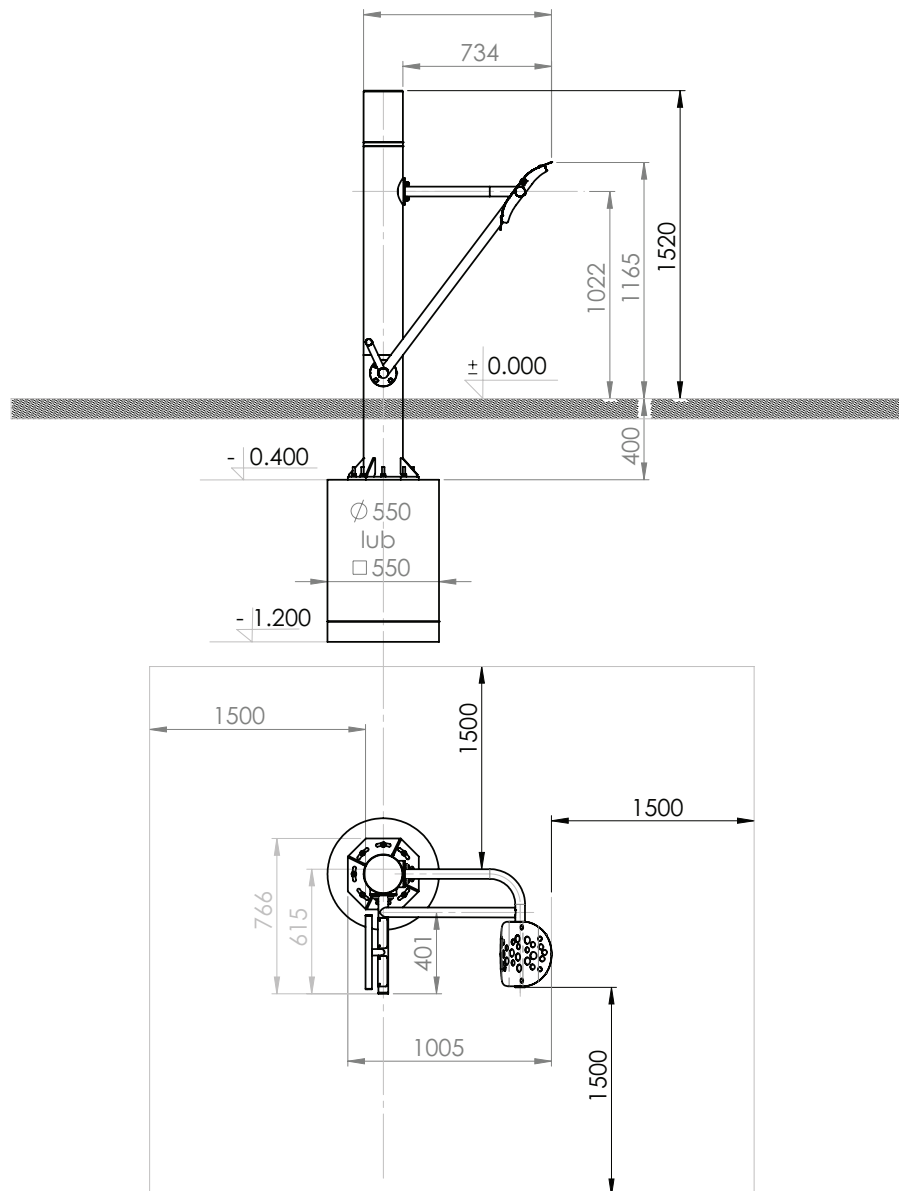


# BACK STRETCHER

Security norm  
PN-EN16630:2015-06E

Devices designed exclusively for physical exercise.  
Use the devices in accordance with the instruction.

Catalogue number: PA00566  
Date of production: 01/2017



Dimensions of the device 611x927x1520 mm  
Safety zone: 3611x2927 mm

Parts of the body: strength and strengthening of the  
upper body parts.

Maximum load: **155 kg**

The foundation should be made of C20 / 25 (B25)  
concrete and down in it a steel foundation brand.

Foundation below the freezing zone. -1,200 m

The pole assembly can be started 24 hours after  
the completion of concrete work.

After stabilizing and finally fixing the pole in the  
place of connection to the concrete foundation  
it should be make a chute from specialist  
quick-setting mortar.

The device can be fully turned on after 28 days  
from completion of concrete works.

# BODYS

Bodys Sp. z o.o., ul. Patriotów 174, 04-832 Warszawa  
tel.: + 48 507 175 332, [biuro@bodys.pl](mailto:biuro@bodys.pl), [www.bodys.pl](http://www.bodys.pl)

