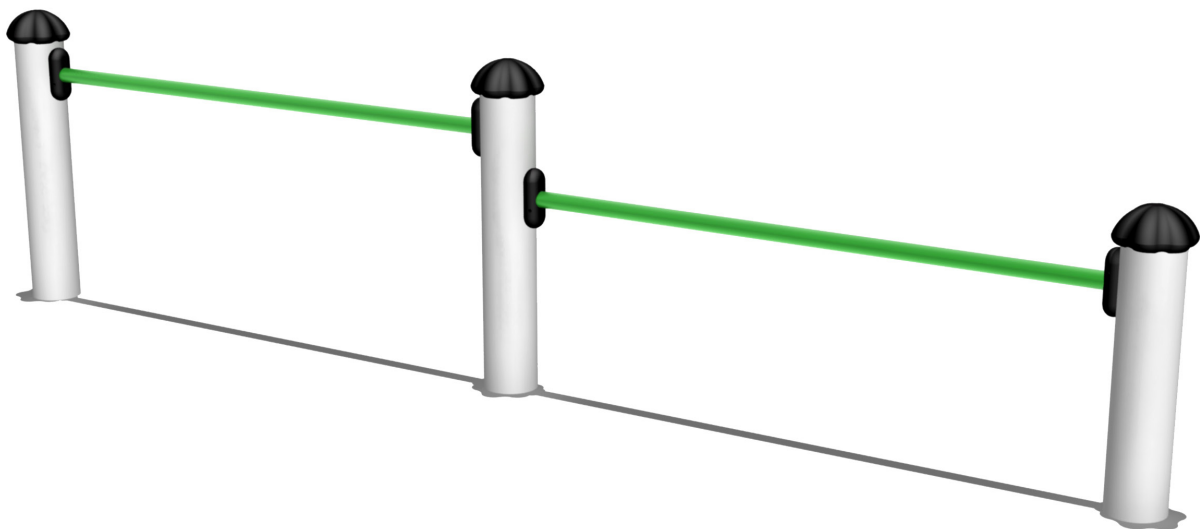




BARK PARK

WUF002 Up and Over

Installation Instructions



WUF002

Up and Over Installation Procedure



- 1 Check using the Parts List that none of the components are missing.
- 2 Plan the final position of the Up and Over ensuring there is sufficient space.*
- 3 Sort and identify parts before assembly. Each leg is numbered to correspond with the foundation plan on Page 4.
- 4 Excavate the foundation holes in accordance with the plan on Page 4.**
- 5 Position 2 x 300 long spragging irons into the holes provided in each post and stand in the foundation holes. The ground level is marked on each post at 500mm.
- 6 Assemble the rails at the positions marked on the posts. Do not tighten the fixing bolts until both rails have been assembled.
- 7 Ensure the posts are completely vertical and pour in the correct amount of concrete. See plan on Page 3 for more information.
- 8 Do not allow the equipment to be used until the concrete has set (2-3 days) and the required safety surface has been installed.
- 9 Check that all fixing bolts are tightened.
- 10 Follow the maintenance instructions supplied.

*During installation care must be taken to prevent hazards to children and animals.

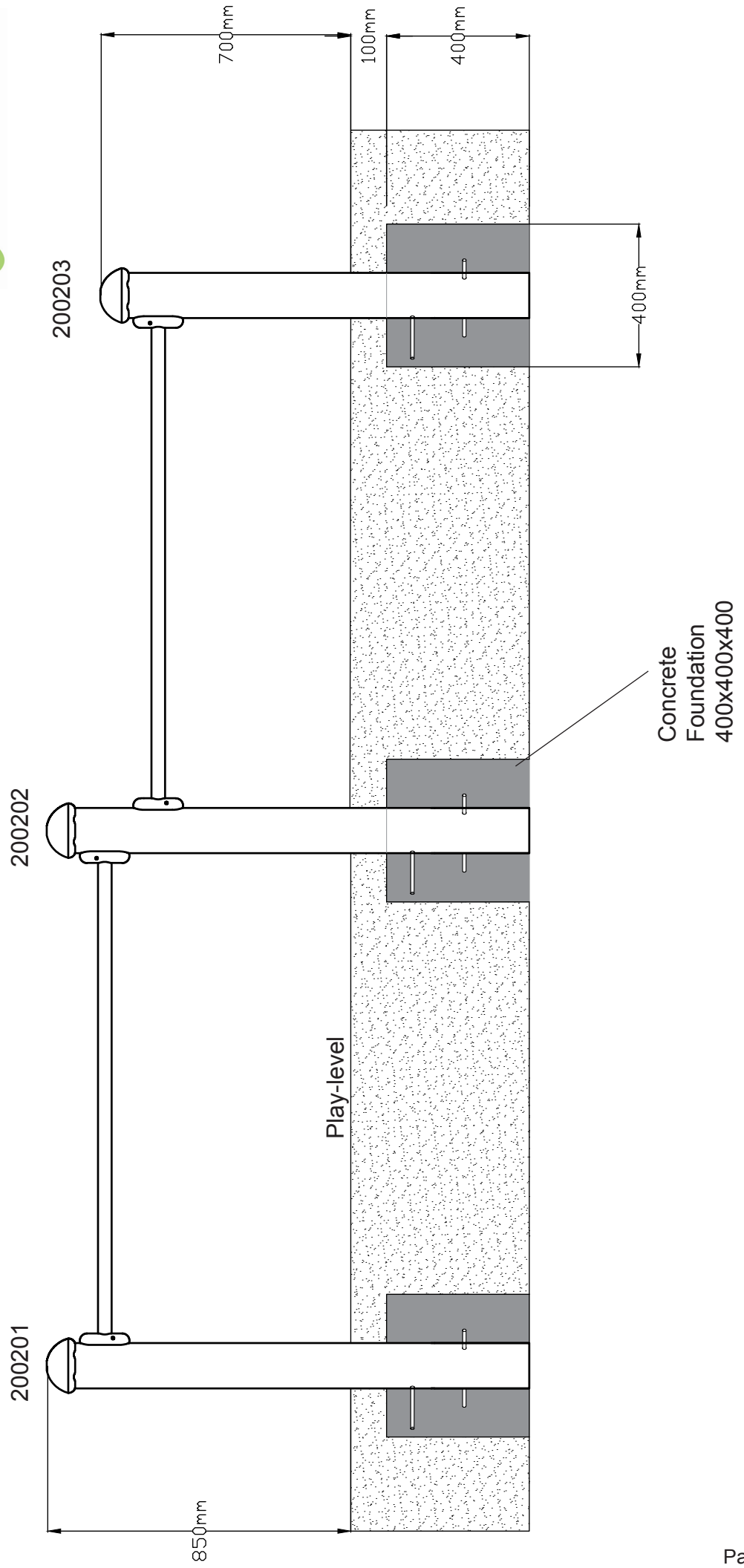
**Care should be taken if conditions are abnormal.

Parts List			
Description	Qty.	Stock	Required Tools
Rails	2	PZA214G00	Tape measure and digging implements Spirit level and tools
Posts (set of 3)	1	WFP002	
Fixing Kit	1	WUF002F	

WUF002

Bark Park Up and Over
Elevation and foundation

Sutcliffe Play
design
make
play

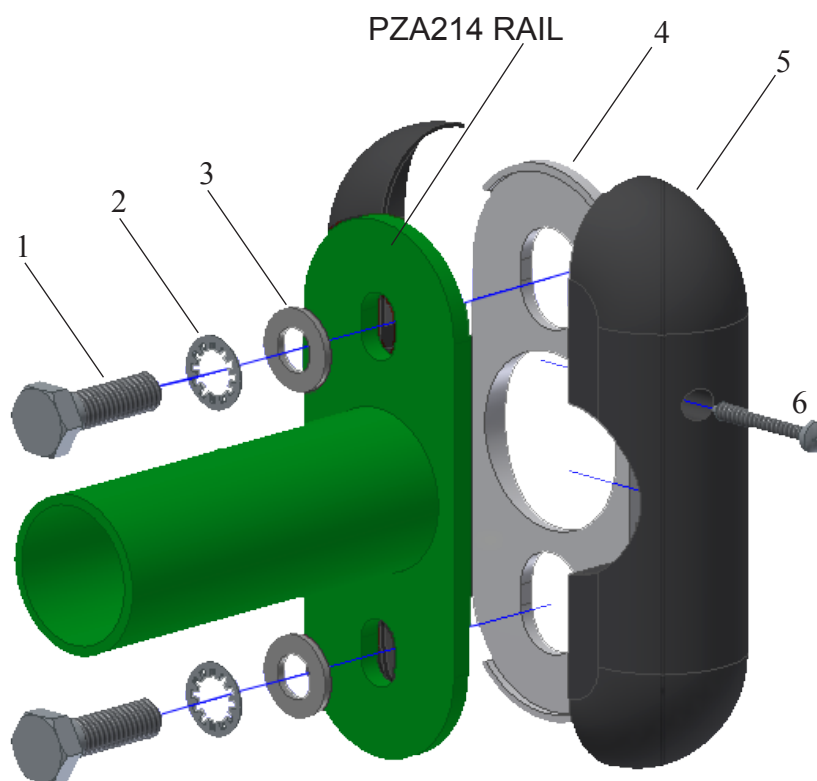
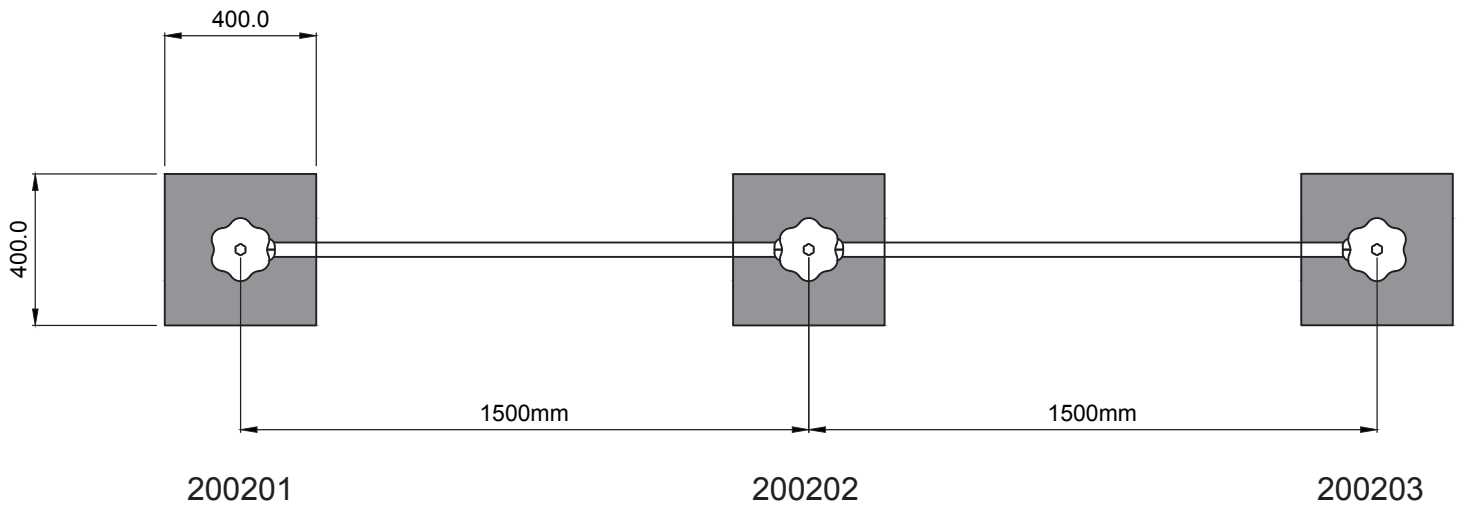


WUF002

Up and Over

Fixings and Foundation Plan

design
make
play
SutcliffePlay



- 1 **HSS510** M10 x 30 HEX SET
- 2 **WSR420** M10 SERRATED WSR
- 3 **WSR040** M10 WASHER

- 4 **PZS001** PLASTIC BASE
- 5 **DZS007** PLASTIC COVER BLK
- 6 **STS060** No.8 SELF TAP SCREW

WUF002

Up and Over Maintenance Instructions



Recommended Regular Inspection and Maintenance

	Interval Days				
	7	14	28	56	365
Check stability of structure, tighten connections if required.	<input type="checkbox"/>	<input type="checkbox"/>	<input type="checkbox"/>	<input checked="" type="checkbox"/>	<input type="checkbox"/>
Check all uprights at ground level for corrosion and/or rot. Replace any defective parts.	<input type="checkbox"/>	<input type="checkbox"/>	<input type="checkbox"/>	<input type="checkbox"/>	<input checked="" type="checkbox"/>
Check all painted elements for damage, rub down and repaint or replace as required.	<input type="checkbox"/>	<input type="checkbox"/>	<input type="checkbox"/>	<input checked="" type="checkbox"/>	<input type="checkbox"/>
Check chain/ropework assemblies for wear and damage, replace if required.	<input type="checkbox"/>	<input checked="" type="checkbox"/>	<input type="checkbox"/>	<input type="checkbox"/>	<input type="checkbox"/>
Check rotating and pivot points for wear and smooth running lubricate or replace if required.	<input type="checkbox"/>	<input type="checkbox"/>	<input checked="" type="checkbox"/>	<input type="checkbox"/>	<input type="checkbox"/>
Check rubber parts for wear and/or damage, replace if required.	<input type="checkbox"/>	<input type="checkbox"/>	<input checked="" type="checkbox"/>	<input type="checkbox"/>	<input type="checkbox"/>
Check grips are secure, adjust if required.	<input type="checkbox"/>	<input type="checkbox"/>	<input checked="" type="checkbox"/>	<input type="checkbox"/>	<input type="checkbox"/>
Check panels are in good condition. Reseal edges or replace if required.	<input type="checkbox"/>	<input type="checkbox"/>	<input checked="" type="checkbox"/>	<input type="checkbox"/>	<input type="checkbox"/>
Check slide chutes for smoothness and any foreign elements, remove any found.	<input type="checkbox"/>	<input type="checkbox"/>	<input checked="" type="checkbox"/>	<input type="checkbox"/>	<input type="checkbox"/>
Check rubber safety surfaces for damage and poor performance, repair or replace if required.	<input type="checkbox"/>	<input type="checkbox"/>	<input type="checkbox"/>	<input checked="" type="checkbox"/>	<input type="checkbox"/>
Check loose fill safety surfaces, remove any foreign elements, rake level and top up if required.	<input type="checkbox"/>	<input type="checkbox"/>	<input checked="" type="checkbox"/>	<input type="checkbox"/>	<input type="checkbox"/>

Disposal Instructions

All components should be broken down into categories of:-

- 1 **Mild Steel** - all Swing Frames, Playzone, Toddlerzone, Teenzone activities, Deck Frames and Springie Frames.
- 2 **Stainless Steel** - all Slides, Mirror Panels.
- 3 **Aluminium** - all Playzone and Toddlerzone Posts.
- 4 **Galvanised Steel** - all Chains and Teenzone Posts.
- 5 **Moulded Rubber Products without steel inserts** - all Toddlerzone Caps and edge details.
- 6 **Timber** - all natural timber, plywood, and MDF panels.

Wherever possible these materials should be taken to specialist recycling organisations and recycled.

In some cases where composite materials are used, then disposal at land fill sites is the only alternative such as:

- 7 **Moulded Rubber Products encasing steel inserts** - all Swing Seats, Deck Tops, Duo/Dizzy Disc Tops.
- 8 **High Pressure Laminate** - all Toddlerzone, Playzone and Teenzone Panels.
- 9 **Steel Core Polypropylene Rope** - all Scramble Nets, Space Nets, Playzone/Toddlerzone Ropes.