

Installation instructions

Overhead Rotator TZA030BK

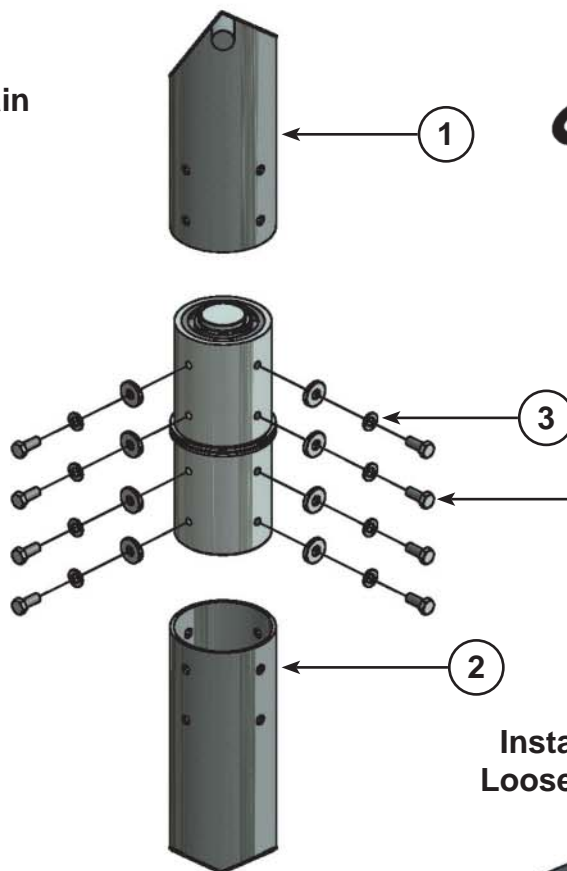
Sheet 1 of 4 Rev 07

Good design
for children

SutcliffePlay

Important Note

The site must be level to maintain critical dimensions

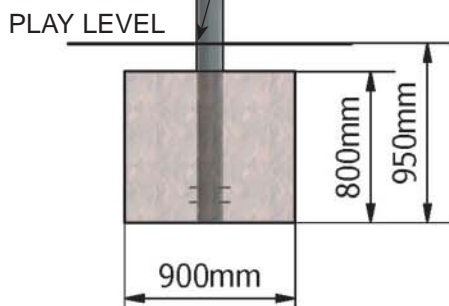


Important Note
All 16 Fixing Bolts to be tightened to 120 - 130Nm using a Torque Wrench.

Installation Into Synthetic Surface



Line up Ground Markings on the Post with the Play Level before adding Concrete.

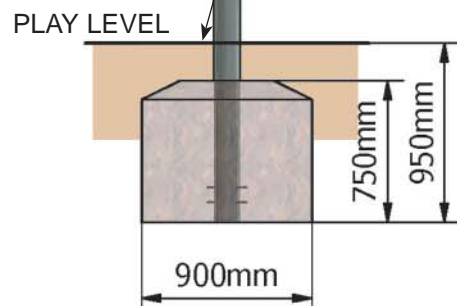


Concrete Required
900 x 900 x 800 Deep.

Installation Into Loose Fill Surface



Line up Ground Markings on the Post with the Play Level before adding Concrete.



Concrete Required
900 x 900 x 750 Deep.
Chamfer all edges and corners of the concrete block.

Installation instructions

Overhead Rotator TZA030BK

Sheet 2 of 4 Rev 07

Installation procedure

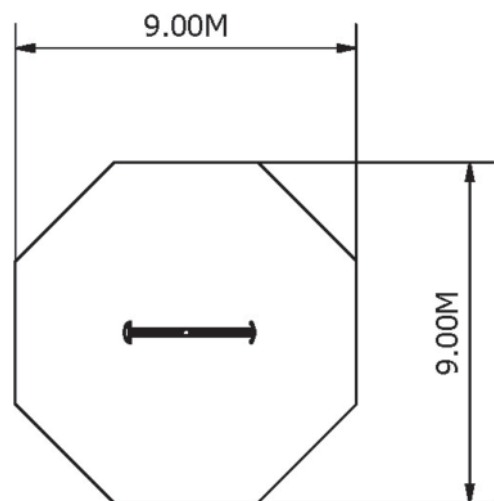
1. Plan the final position of the play equipment ensuring that there is sufficient space*.
2. Excavate the foundation hole in accordance with the plan**.
3. Insert the Spragging Irons into the Post and place in the foundation hole. Ensure that it is vertical and the ground level mark is set correctly. Fill with concrete.
4. When the concrete has set (2 - 3 days) fit the Rotator Brackets, Arm and Bump Stops to the Top Post using the M10 fixings supplied. Then fit the Top Post to the Main Post using the M12 bolts supplied. Check that the fixing bolts are tightened to the correct torque 120 - 130Nm.
5. Do not allow the equipment to be used until the required safety surface has been installed.
6. Follow the Maintenance Instructions provided.

* Care should be taken during installation to decrease the hazard to children.

** Care should be taken if the conditions aren't normal.

Space requirements to EN1176

1. Area of safety surface 64M².
2. Perimeter of safety surface 22.4M.
3. HIC 2M



Parts supplied

No	Description	Qty	Stock Code
1	Short Top Post	1	
2	Long Main Post	1	
3	Set of fixings:-		
	M12 Bolts	16	HSS610
	M12 Plain Washers	16	WSR050
	M12 Saddle Washer	16	WSR466

Required tools for installation

Tape measure
Spirit level
Digging equipment
Torque Wrench (19mm Socket)

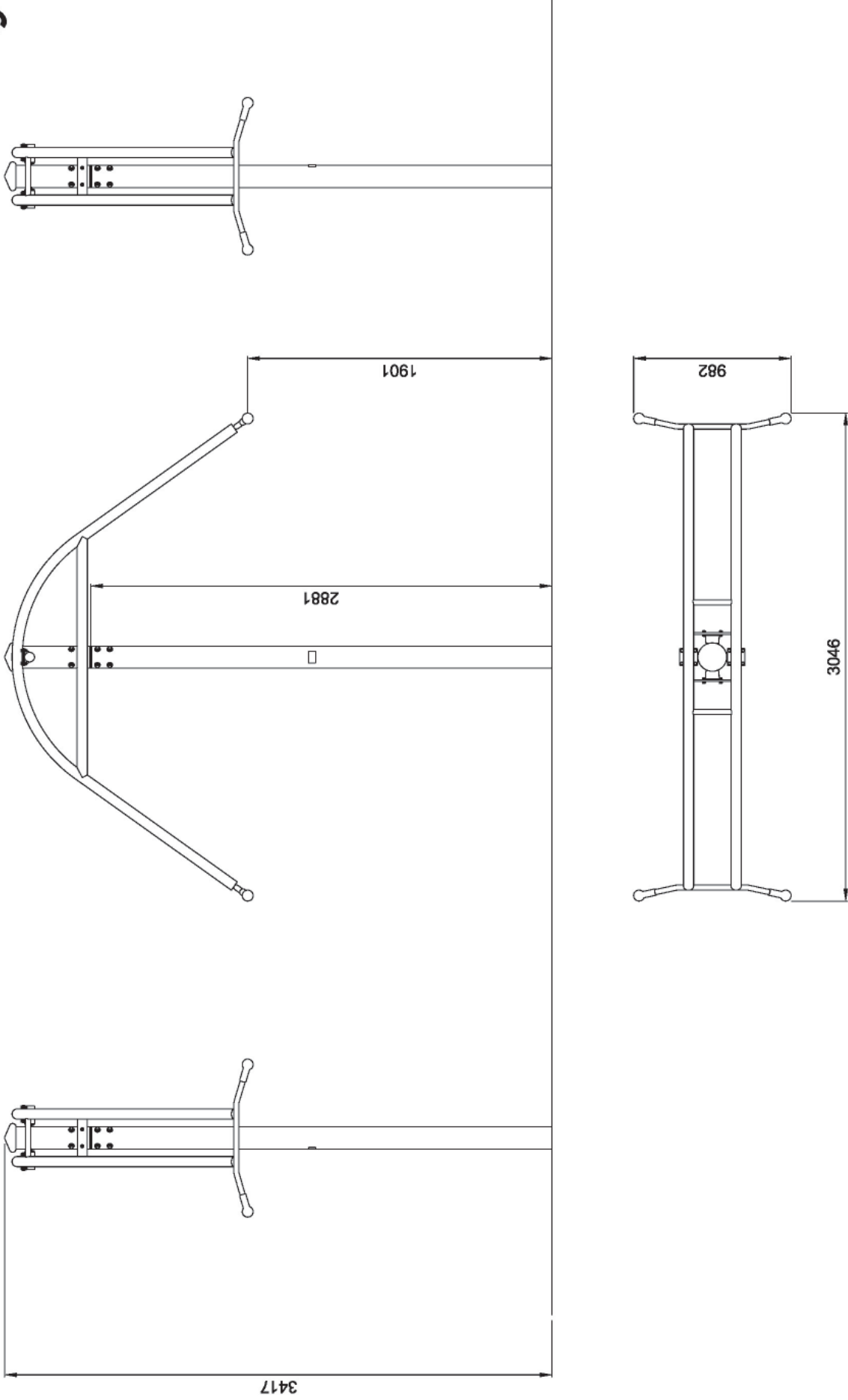
The experts
in play...
SutcliffePlay
Waggon Lane
Upton Pontefract
West Yorkshire WF9 1JS
Telephone 01977 653200
Facsimile 01977 653222
info@ sutcliffeplay.co.uk
www. sutcliffeplay.co.uk

Installation instructions

Overhead Rotator TZA030BK

Sheet 3 of 4 Rev 07

SutcliffePlay
Good design
for children



DO NOT SCALE THIS DRAWING

Maintenance instructions

Overhead Rotator TZA030BK

Sheet 4 of 4 Rev 07

Good design
for children

SutcliffePlay

NOTE

The warranty is invalidated if these instructions are not followed.

Recommended regular inspection and maintenance

	Interval days				
	7	14	28	56	365
Check stability of structure, tighten connections if required.	<input type="checkbox"/>	<input type="checkbox"/>	<input type="checkbox"/>	<input checked="" type="checkbox"/>	<input type="checkbox"/>
Check parts at ground level for corrosion and/or rot. Replace any defective parts	<input type="checkbox"/>	<input type="checkbox"/>	<input type="checkbox"/>	<input type="checkbox"/>	<input checked="" type="checkbox"/>
Check all painted elements for damage, rub down and repaint or replace as required.	<input type="checkbox"/>	<input type="checkbox"/>	<input type="checkbox"/>	<input checked="" type="checkbox"/>	<input type="checkbox"/>
Check all ropework assemblies for wear and damage, replace if required.	<input type="checkbox"/>	<input type="checkbox"/>	<input type="checkbox"/>	<input type="checkbox"/>	<input type="checkbox"/>
Check rotating pivot points for wear and smooth running lubricate or replace if required.	<input type="checkbox"/>	<input checked="" type="checkbox"/>	<input type="checkbox"/>	<input type="checkbox"/>	<input type="checkbox"/>
Check rubber parts for wear and/or damage, replace if required.	<input type="checkbox"/>	<input checked="" type="checkbox"/>	<input type="checkbox"/>	<input type="checkbox"/>	<input type="checkbox"/>
Check rubber safety surfaces for damage and poor performance, repair or replace if required.	<input type="checkbox"/>	<input type="checkbox"/>	<input type="checkbox"/>	<input checked="" type="checkbox"/>	<input type="checkbox"/>
Check loose fill safety surfaces remove any foreign elements, repair or replace if required.	<input type="checkbox"/>	<input checked="" type="checkbox"/>	<input type="checkbox"/>	<input type="checkbox"/>	<input type="checkbox"/>

Disposal Instructions

All components should be broken down into categories of:-

1. **Mild Steel** - all swing frames, Playzone, Toddlerzone and Teenzone activities, deck frames and springie frames.
2. **Stainless Steel** - all slides, mirror panels.
3. **Aluminium** - all Playzone and Toddlerzone posts.
4. **Galvanised steel** - all chains and Teenzone posts.
5. **Moulded rubber products without steel inserts** - all Toddlerzone and Playzone caps and panel edging.
6. **Timber** - all natural timber, plywood and mdf panels.

Wherever possible these materials should be taken to a specialist recycling organisations and recycled. In some cases where composite materials are used then disposal at land fill sites is the only alternative such as:-

7. **Moulded rubber product with steel inserts** - all seats, deck tops, duo/dizzy disc tops.
8. **High pressure laminate** - all Toddlerzone and Playzone panels.
9. **Steel core polypropylene rope** - all scramble nets, space nets, Playzone and Toddlerzone ropes and rope bridges.