

design
make
play

SutcliffePlay

Waggon Lane
Upton Pontefract
West Yorkshire WF9 1JS
Telephone +44 (0) 1977 653200
Facsimile +44 (0) 1977 653222
info@sutcliffeplay.co.uk
www.sutcliffeplay.co.uk

4 Seat Timber Seesaw

Installation Instructions

TNB010

TNB010

4 Seat Timber Seesaw Installation Instructions

design
make
play
SutcliffePlay

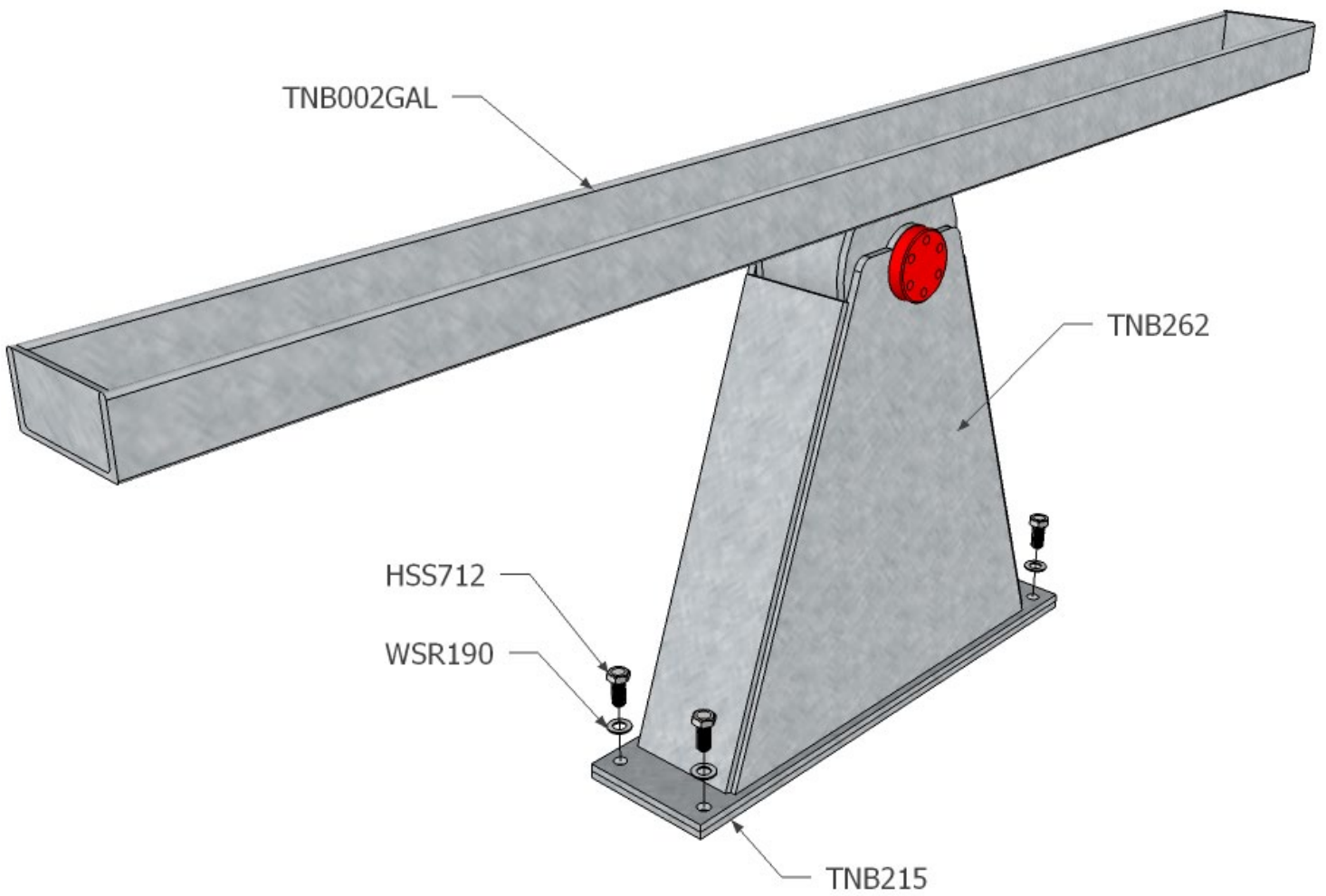
- 1 Check using the Parts List that none of the components are missing.
- 2 Plan the final position of the play equipment ensuring there is sufficient space.
- 3 Excavate the foundation holes in accordance with the plan.
- 4 Sort and identify parts before assembly.
- 5 Place the Earth Plate in the foundation hole and fill with concrete. Ensure Earth Plate is level and at the correct depth.
- 6 When the concrete has set (2 - 3 days), fit the Seesaw Body Assembly.
- 7 Fix plank to Pendulum assembly then attach handles as show on page 4.
- 8 Do not allow the equipment to be used until the concrete has completely set and the required safety surfacing has been installed.
- 9 Tighten all fixing bolts.
- 10 Follow the maintenance instructions supplied.

During installation care must be taken to prevent hazards to children.
Care should be taken if conditions are abnormal.

TNB010

4 Seat Timber Seesaw Parts List

design
make
play
SutcliffePlay

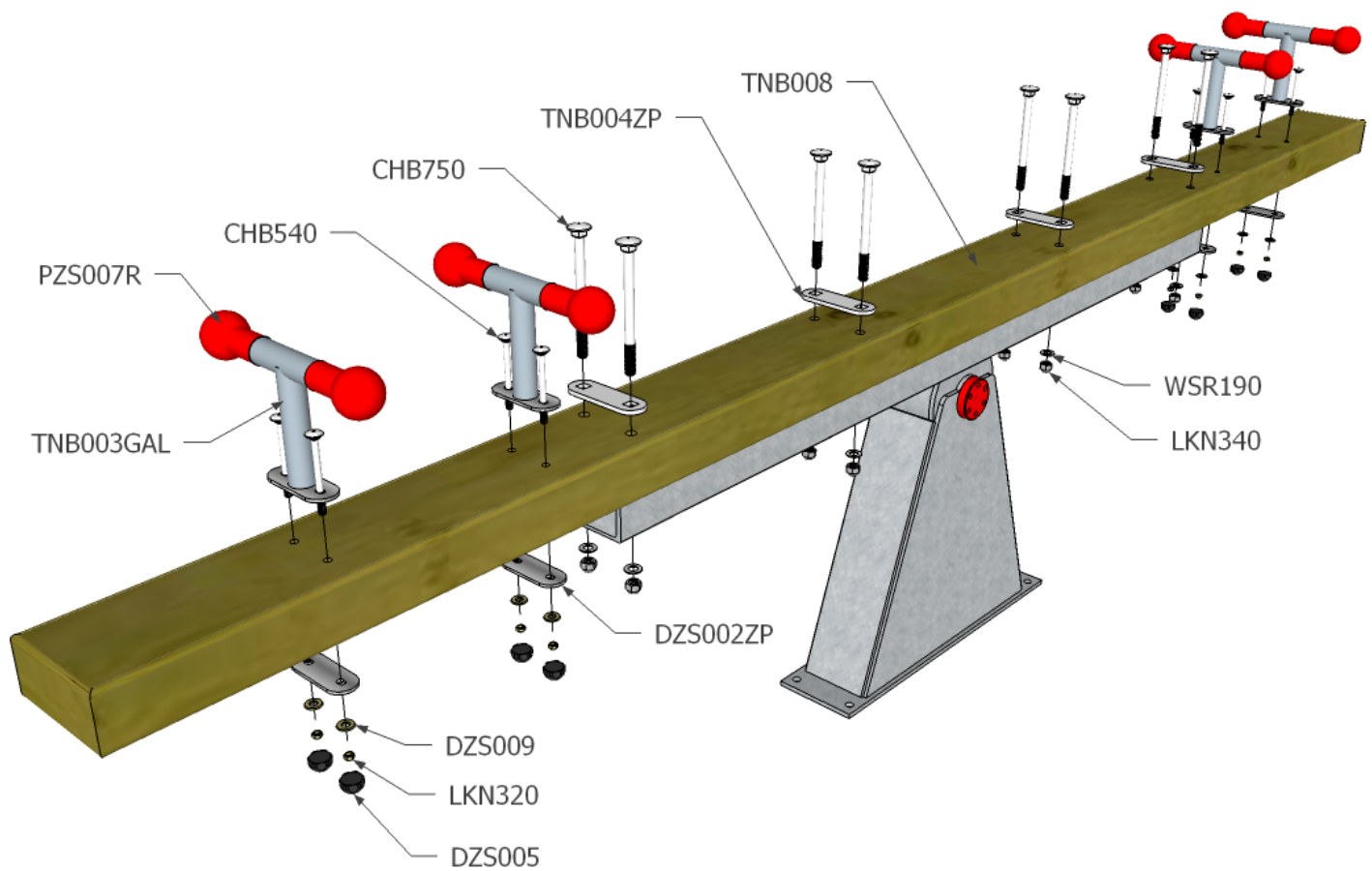


Ref	Description	Qty
TNB002	Pendulum Assembly	1
TNB262	See Saw Body	1
TNB215	Ground Fixing	1
HSS712	M16 x 35 Hex Head Bolt	4
WSR190	M16 Washer	4

TNB010

4 Seat Timber Seesaw Parts List

design
make
play
SutcliffePlay



Ref	Description	Qty
TNB003	See Saw Handle	4
TNB008	See Saw Plank	1
TNB004	Plank Fixing Plate	4
DZS002	Mounting Plate	4
CHB750	M16 x 200 Cup Head Bolt	8
CHB540	M10 x 120 Cup Head Bolt	8
WSR190	M16 Washer	8
LKN340	M16 Nylock Nut	8
DZS005	M10 Nut Cover	8
DZS009	M10 Cover Washer	8
LKN320	M10 Nylock Nut	8

TNB010

Large Arch Seesaw Maintenance Instructions



NOTE

The warranty is invalidated if these instructions are not followed.
All wood needs annual inspection and retreatment where required.

Recommended Regular Inspection and Maintenance

	Interval Days				
	7	14	28	56	365
Check stability of structure, tighten connections if required.	<input type="checkbox"/>	<input type="checkbox"/>	<input type="checkbox"/>	<input checked="" type="checkbox"/>	<input type="checkbox"/>
Check all uprights at ground level for corrosion and/or rot. Replace any defective parts.	<input type="checkbox"/>	<input type="checkbox"/>	<input type="checkbox"/>	<input checked="" type="checkbox"/>	<input type="checkbox"/>
Check all painted elements for damage, rub down and repaint or replace as required.	<input type="checkbox"/>	<input type="checkbox"/>	<input type="checkbox"/>	<input checked="" type="checkbox"/>	<input type="checkbox"/>
Check chain/ropework assemblies for wear and damage, replace if required.	<input type="checkbox"/>	<input type="checkbox"/>	<input type="checkbox"/>	<input type="checkbox"/>	<input type="checkbox"/>
Check rotating and pivot points for wear and smooth running lubricate or replace if required.	<input type="checkbox"/>	<input type="checkbox"/>	<input type="checkbox"/>	<input checked="" type="checkbox"/>	<input type="checkbox"/>
Check Rubber Wheel for wear and/or damage, and replace if the rubber is deteriorating.	<input type="checkbox"/>	<input type="checkbox"/>	<input type="checkbox"/>	<input checked="" type="checkbox"/>	<input type="checkbox"/>
Check rubber safety surfaces for damage and poor performance, repair or replace if required.	<input type="checkbox"/>	<input type="checkbox"/>	<input type="checkbox"/>	<input checked="" type="checkbox"/>	<input type="checkbox"/>
Check loose fill safety surfaces, remove any foreign elements, rake level and top up if required.	<input type="checkbox"/>	<input type="checkbox"/>	<input checked="" type="checkbox"/>	<input type="checkbox"/>	<input type="checkbox"/>

Disposal Instructions

All components should be broken down into categories of:-

- 1 **Mild Steel** - all Swing Frames, Playzone etc activities, Deck Frames and Springie Frames.
- 2 **Stainless Steel** - all Slides, Mirror Panels.
- 3 **Aluminium** - all Playzone and Toddlerzone Posts.
- 4 **Galvanised Steel** - all Chains and Teenzone Posts.
- 5 **Moulded Rubber Products without steel inserts** - all Toddlerzone Caps and edge details.
- 6 **Timber** - all natural timber, plywood, and MDF panels.

Wherever possible these materials should be taken to specialist recycling organisations and recycled.

In some cases where composite materials are used, then disposal at land fill sites is the only alternative such as:

- 7 **Moulded Rubber Products encasing steel inserts** - all Swing Seats, Deck Tops, Duo/Dizzy Disc Tops.
- 8 **High Pressure Laminate** - all Toddlerzone, Playzone and Teenzone Panels.
- 9 **Steel Core Polypropylene Rope** - all Scramble Nets, Space Nets, Playzone etc Ropes.