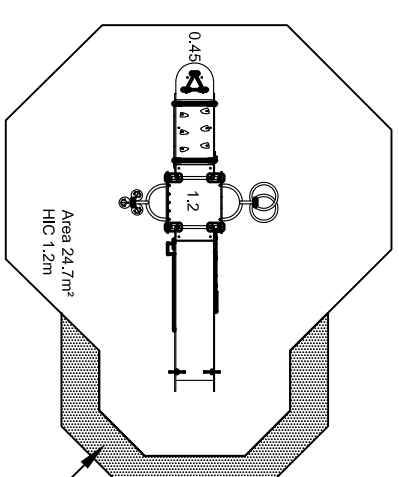
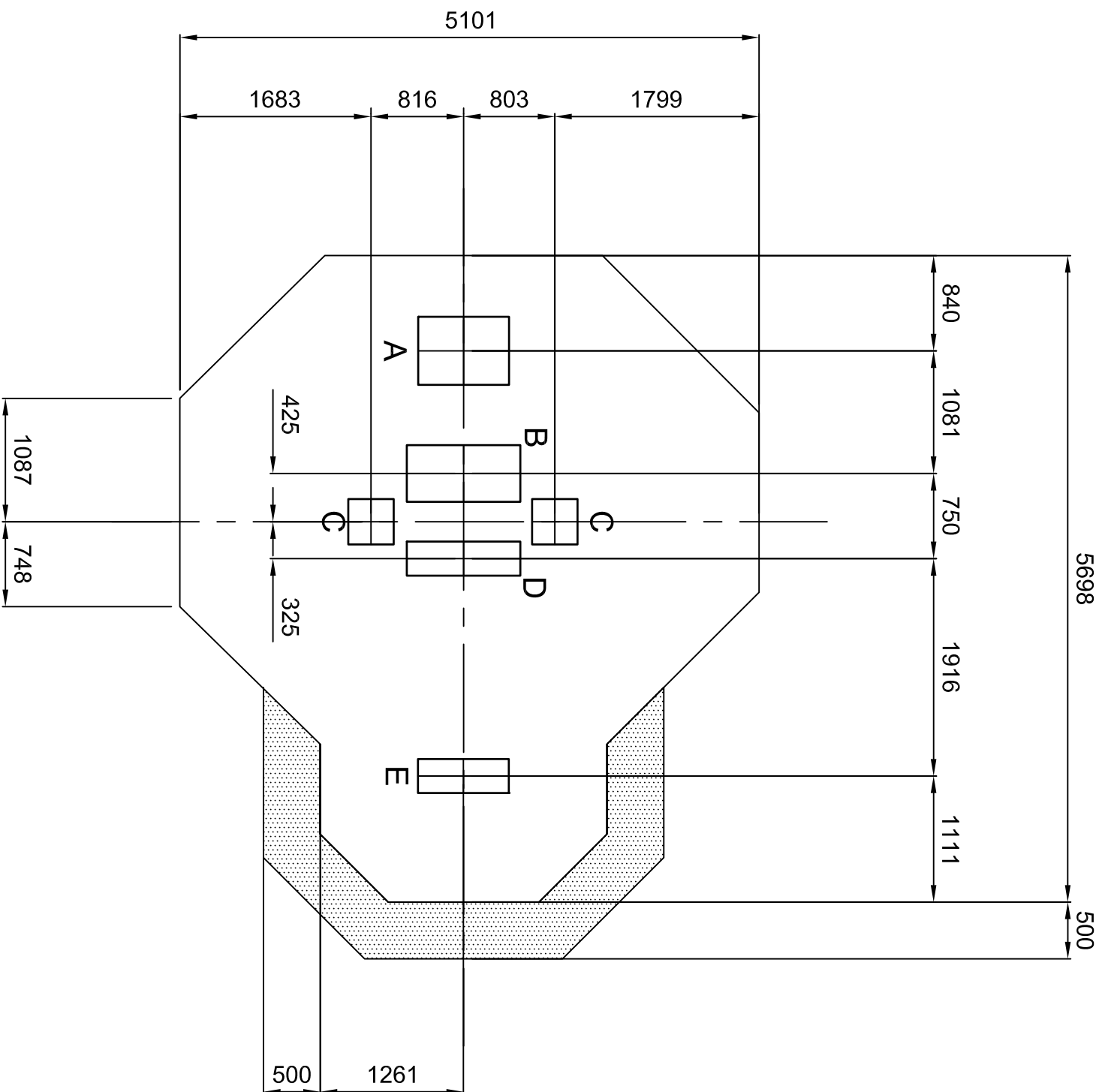
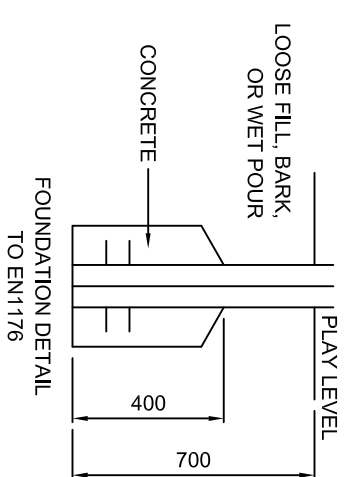


DO NOT SCALE THIS DRAWING
SCALE 1:50 WHEN PRINTED A3



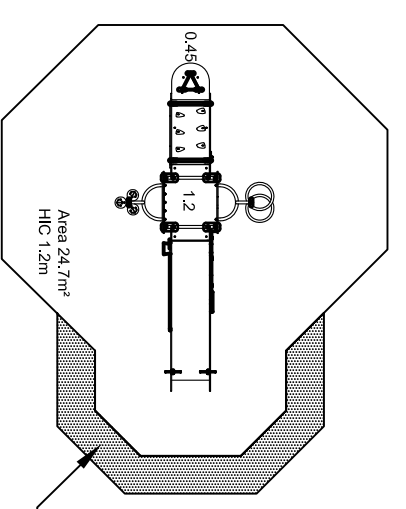
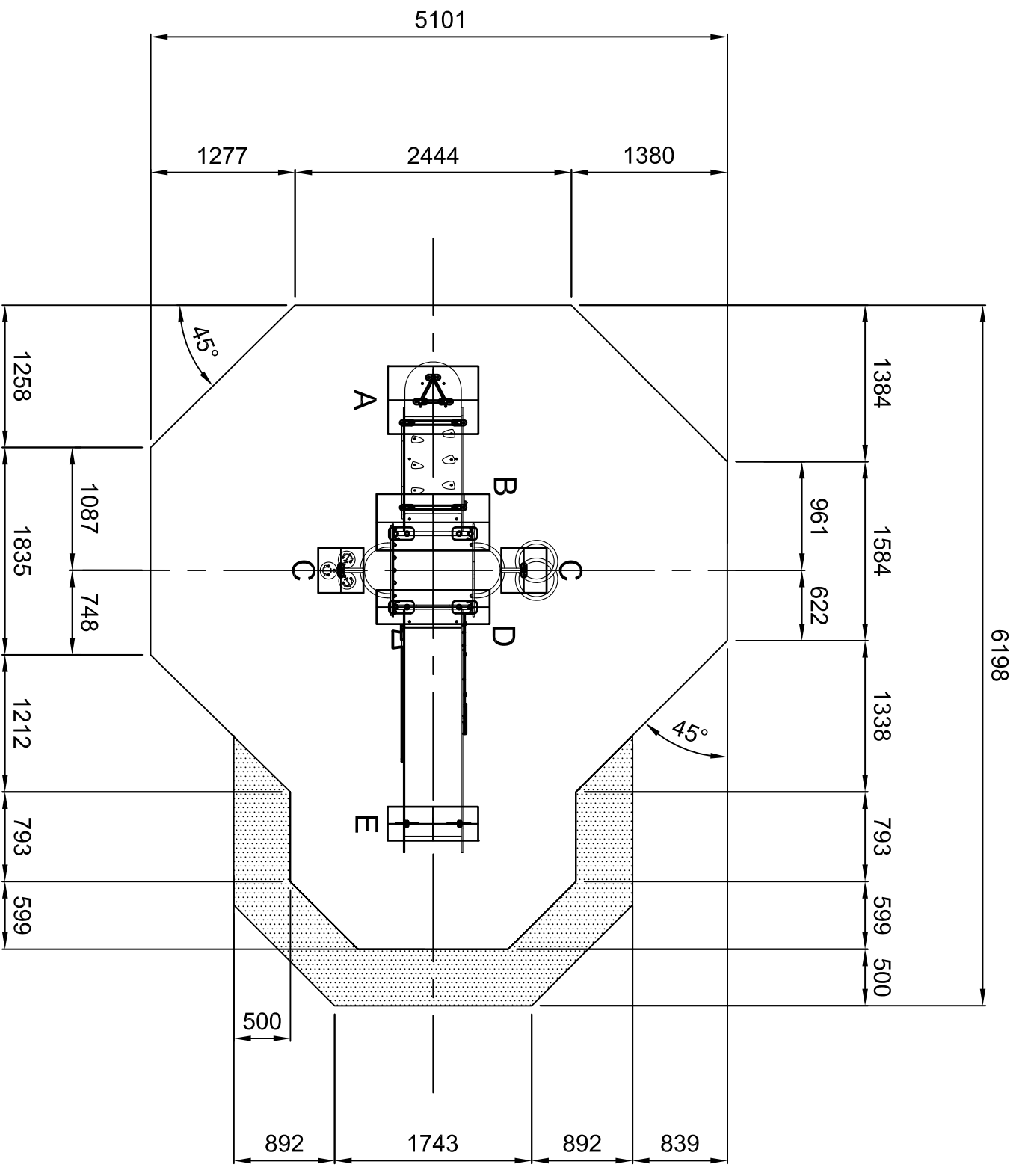
PLAN SCALE 1:100

FALLING SPACE



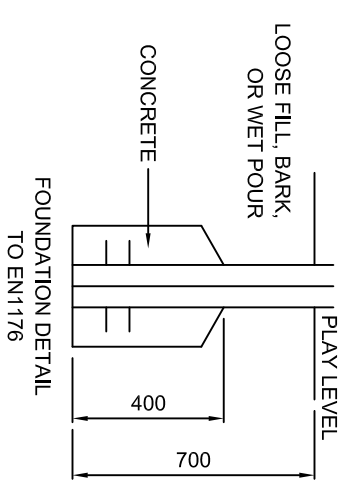
GROUND PLAN		THU002(1)	
REV	00		
DRAWN	IM		
SCALE	1:50 @ A3		
DATE	26/05/2016		
SAFETY SURFACE AREA	AREA 24.7M ²	PERIMETER	19.1M
HOLE A	600 x 800 x 700 DEEP		
HOLE B	500 x 1000 x 700 DEEP		
HOLE C	400 x 400 x 700 DEEP		
HOLE D	300 x 1000 x 700 DEEP		
HOLE E	300 x 800 x 700 DEEP		





PLAN SCALE 1:100

FALLING SPACE



GROUND PLAN	THU002(2)
REV	00
DRAWN	IM
SCALE	1:50 @ A3
DATE	26/05/2016
SAFETY SURFACE AREA	AREA 24.7M ² PERIMETER 19.1M HIC 1.2M
HOLE A	600 x 800 x 700 DEEP
HOLE B	500 x 1000 x 700 DEEP
HOLE C	400 x 400 x 700 DEEP
HOLE D	300 x 1000 x 700 DEEP
HOLE E	300 x 800 x 700 DEEP

DO NOT SCALE THIS DRAWING
SCALE 1:50 WHEN PRINTED ON A3