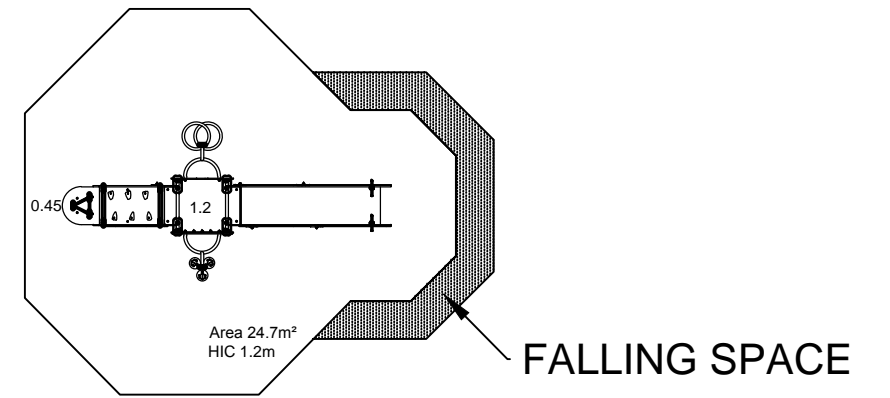
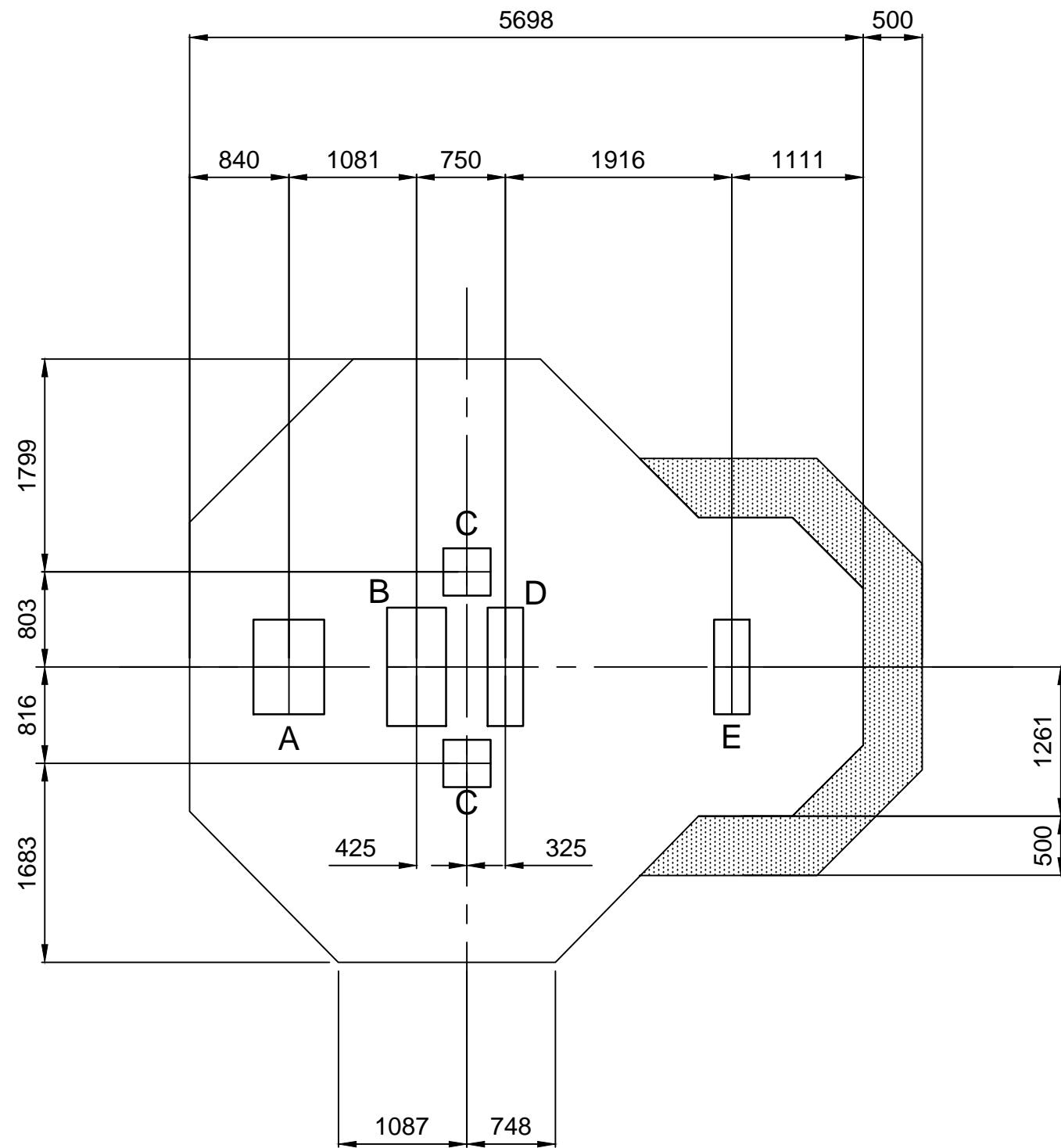
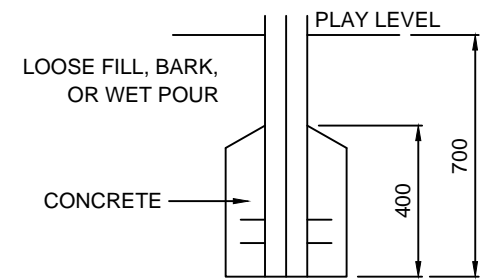


DO NOT SCALE THIS DRAWING
SCALE 1:50 WHEN PRINTED A3

design
make
play
SutcliffePlay

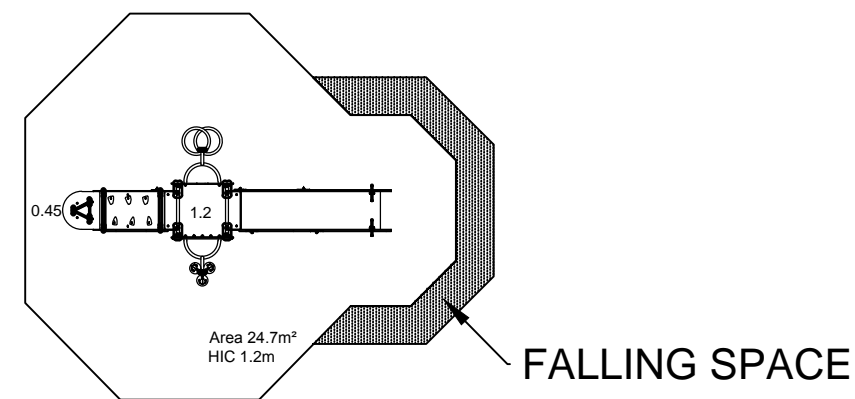
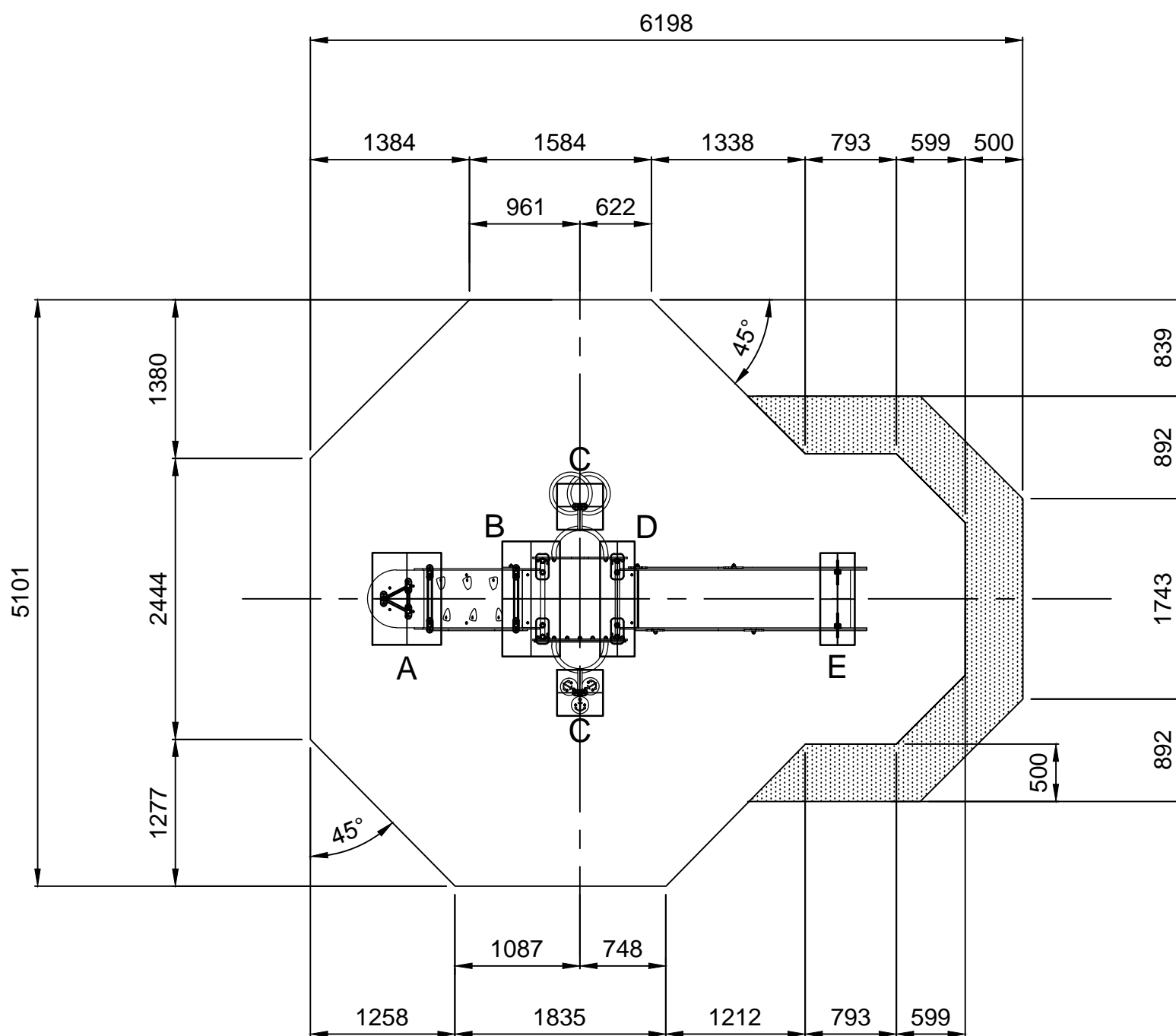


PLAN SCALE 1:100

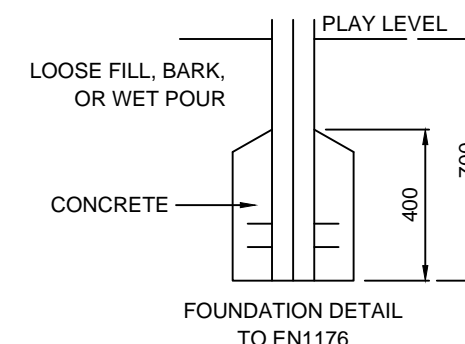


FOUNDATION DETAIL
TO EN1176

| | |
|------------------------------|--|
| GROUND PLAN | THU001(1) |
| REV | 00 |
| DRAWN | SH |
| SCALE | 1:50 @ A3 |
| DATE | 23/02/2016 |
| SAFETY SURFACE AREA | AREA 24.7M ² PERIMETER 19.1M HIC 1.2M |
| HOLE A 600 x 800 x 700 DEEP | |
| HOLE B 500 x 1000 x 700 DEEP | |
| HOLE C 400 x 400 x 700 DEEP | |
| HOLE D 300 x 1000 x 700 DEEP | |
| HOLE E 300 x 800 x 700 DEEP | |



PLAN SCALE 1:100



| | |
|---------------------|--|
| GROUND PLAN | THU001(2) |
| REV | 00 |
| DRAWN | SH |
| SCALE | 1:50 @ A3 |
| DATE | 23/02/2016 |
| SAFETY SURFACE AREA | AREA 24.7M ² PERIMETER 19.1M HIC 1.2M |
| HOLE A | 600 x 800 x 700 DEEP |
| HOLE B | 500 x 1000 x 700 DEEP |
| HOLE C | 400 x 400 x 700 DEEP |
| HOLE D | 300 x 1000 x 700 DEEP |
| HOLE E | 300 x 800 x 700 DEEP |

DO NOT SCALE THIS DRAWING
SCALE 1:50 WHEN PRINTED ON A3