

design  
make  
play

# SutcliffePlay

Waggon Lane  
Upton Pontefract  
West Yorkshire WF9 1JS  
Telephone +44 (0) 1977 653200  
Facsimile +44 (0) 1977 653222  
info@sutcliffeplay.co.uk  
www.sutcliffeplay.co.uk



## **Sandcastle/Seaside Themed Unit THU001**

# **Installation Instructions**

# THU001

## Themed Unit Installation Instructions

1. Check using the parts list that all components have been delivered.
2. Plan the final position of the play equipment, ensuring there is sufficient space  
NB: Please consider the extent and HIC of surfacing (see surfacing plan).  
Stainless steel slides should face north or be shaded to prevent over heating.
3. Excavate the foundation holes in accordance with the plan and play level, ensuring holes are dug to an equal level relative to each other.
4. Sort and identify parts before assembly.
5. Bolt the pedestals (PED302) to the end of the slide assembly (THS101), and position 2 spragging irons (MSL002) into the holes provided at the bottom of the pedestals. Hook this slide assembly on to the top cross-bars of one of the main frames (THF001) and stand these in their respective foundation holes.
6. Sit the ramp frame (THF121) into the foundation holes and bolt the ramp side panels (THA002 and THP003) to the frame.
7. The second main frame (THF001) can be sat into it's foundations and the ramp assembly hooked onto it.
8. Sit the Hexaboard plywood deck between the two main frameworks and ensure at this point that all metal framework is assembled together.
9. Assemble the panels onto the posts using the supplied brackets (PZA700 and PZA705), using the images supplied as a reference for layering. See page 6 for details of panel assembly.

**NB:** Use the panel fixing general sheet supplied to select the correct bolts from the fixing kit (be advised that a few surplus fixings are generally included). We suggest fixing countersunk bolts first as on occasion another panel may be layered on top of them. It is important not to fully tighten the fixings until all panels have been assembled and the unit is stood within the foundation holes.

# THU001

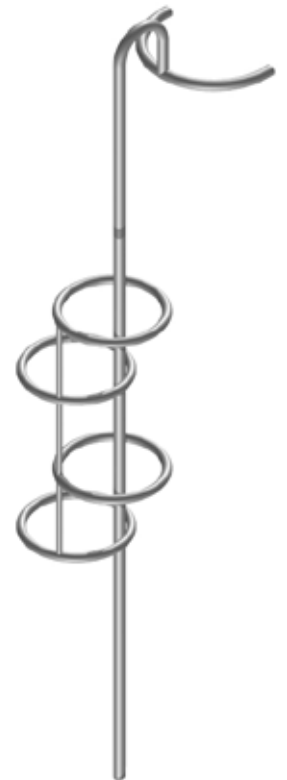
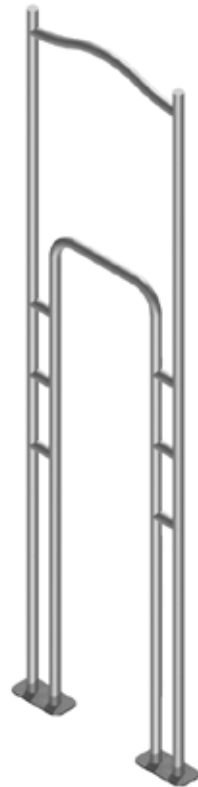
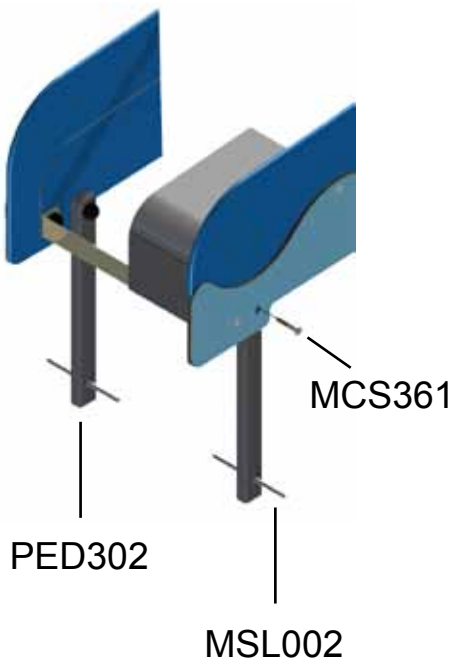
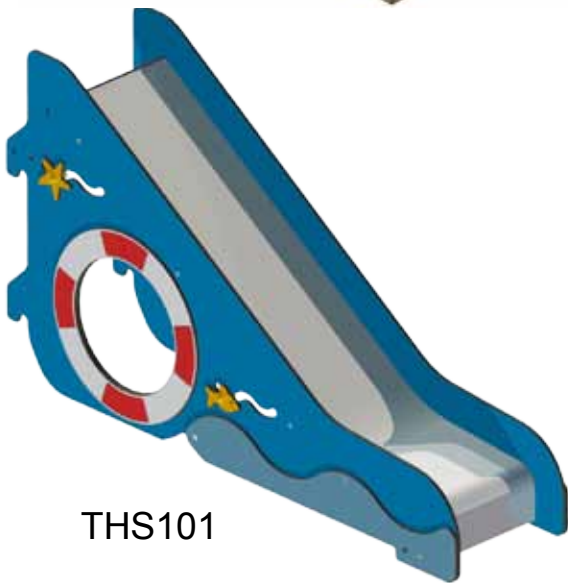
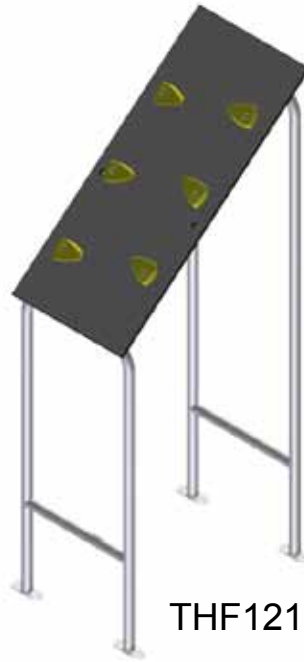
## Themed Unit Installation Instructions

10. The ring climber (THF140GRY) and the step climber (THF145GRY) can now be positioned in their foundation holes and bolted to their respective panels (please refer to unit images provided). THP026 panels are to be bolted to the plates of the step climber. THF140GRY needs two steel irons found in the fixing kit feeding through the holes in the end, prior to concreting.
11. Tighten all fixings when the unit has been fully assembled, sat into the foundation holes (before concrete is poured) and the unit is completely level and in the correct position.
12. Ensure all exposed hex-head bolts are capped off using the step washers and nylon caps provided (refer to panel fixing general sheet supplied).
13. Check the unit will sit at the correct level (700mm below play level) and position as per the elevations and plans provided before now filling the foundation holes to the required depth with concrete. Float off upper surface to enable run-off away from frame posts.
14. The unit should be secured against use by any member of the public until the concrete is set and the appropriate depth and extent of surfacing has been installed (please refer to surfacing plan).
15. Follow the maintenance instructions supplied at the end of this document.

**NB:** During installation, care must be taken to prevent hazards to children. If you are at all unsure or have any questions, please contact the contracts department immediately for their assistance and advice.

# THU001

## Themed Unit Framework List



# THU001

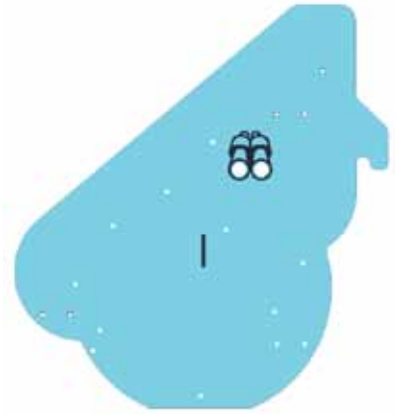
## Themed Unit Panel List



THP001



THA002



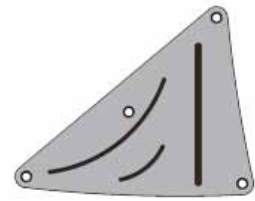
THP003



THP008



THP010



THP024



THP009



THP025



THP026  
x 3



THP011



THP023



THP058

# THU001

## Themed Unit Panel Assembly

THP008

THP009

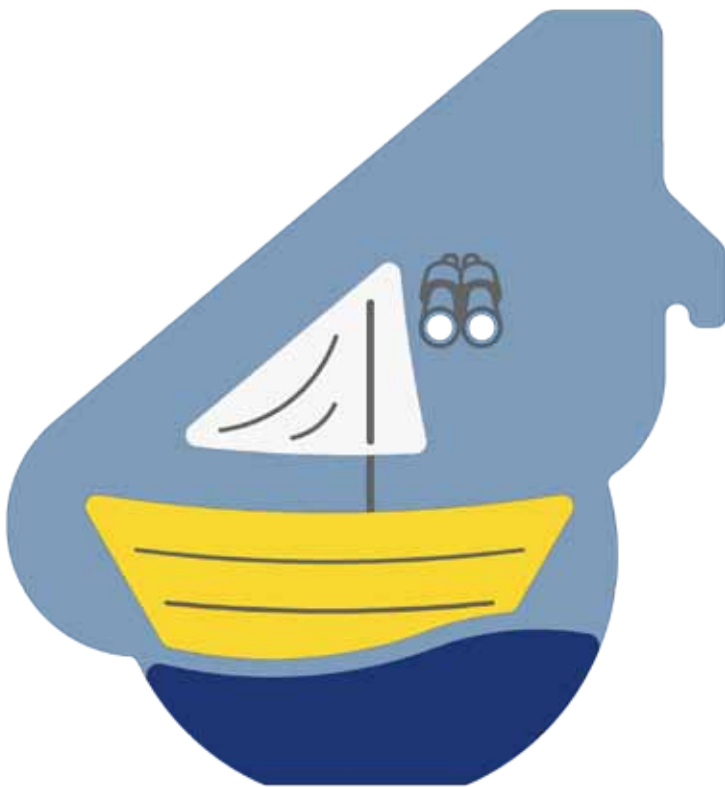
THP010

THP011



USE THE ONLY  
BLACK NUT COVER  
(CZS004BK) ON  
THP025

NB: This item is  
designed for spinning,  
please use fixings  
in accordance with  
the 'Panel Assembly  
General Sheet'  
supplied.

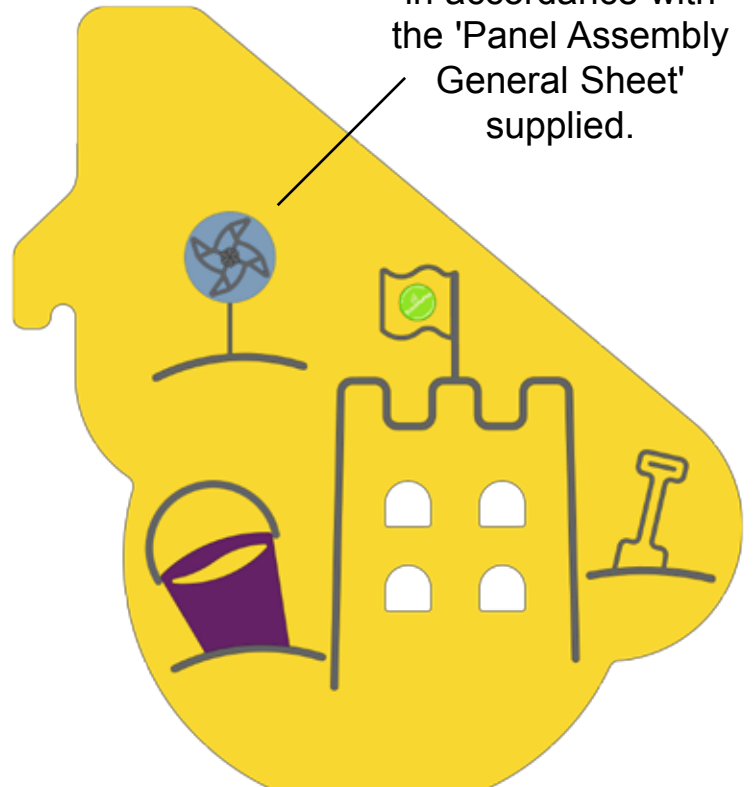


THP003

THP024

THP023

THP058

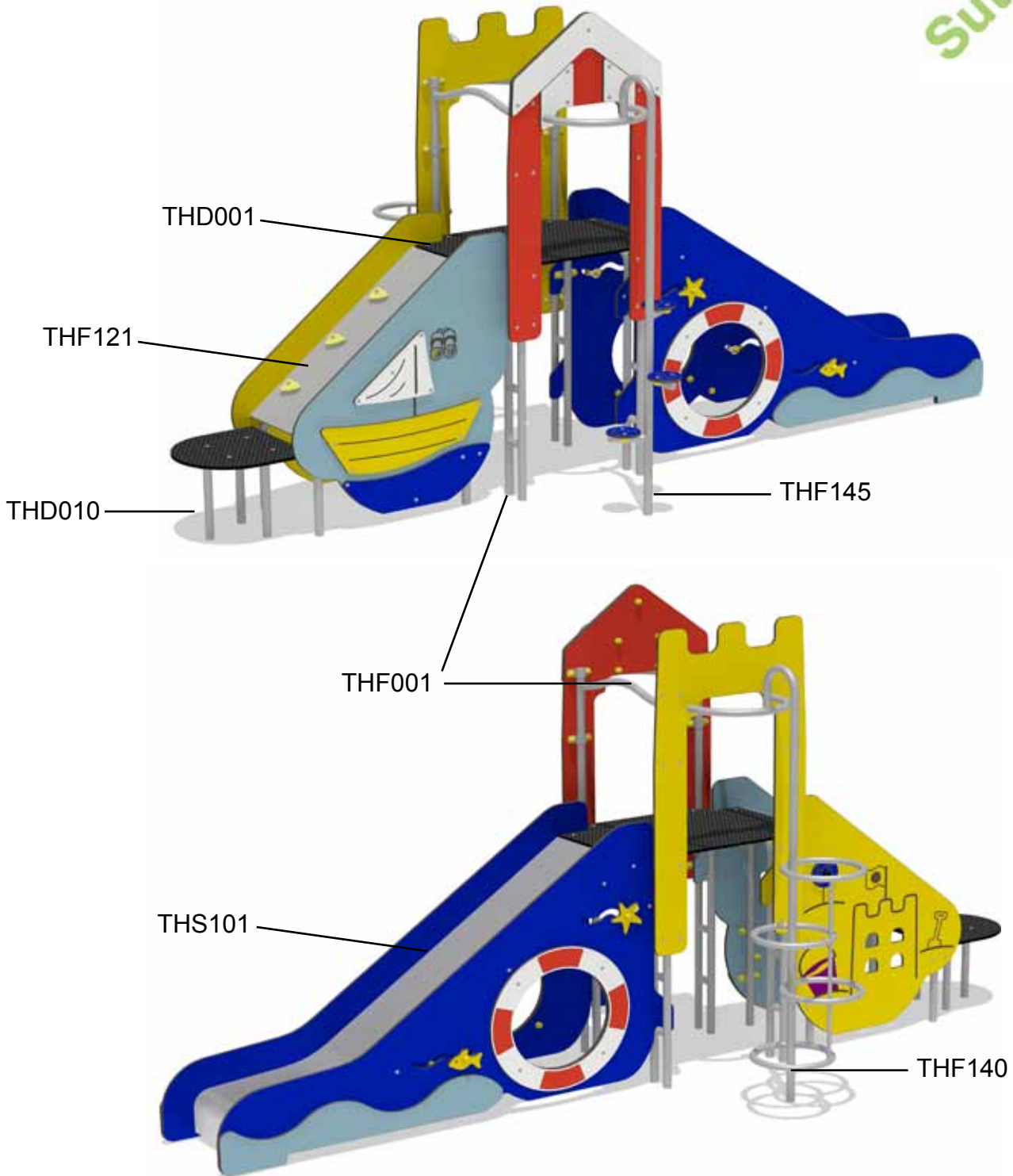


THA002

THP025

# THU001

## Themed Unit Parts List



Code	Description	Qty
THS101	Seaside slide full assembly	1
THF001	Steel main frame (grey)	2
THD001	Hexaboard deck	1
THF140	Ring climber (grey)	1
THF145	Step climber (grey)	1
THD010	Transfer deck full assembly	1
THF121	Theme ramp full assembly	1
THU001F	Fixing kit	1

# THU001

## Themed Unit Maintenance Instructions

**NB:** The warranty is invalidated if these instructions are not followed.  
All wood needs annual inspection and retreatment where required.

### Recommended Regular Inspection and Maintenance

	Interval Days				
	7	14	28	56	365
Check stability of structure, tighten connections if required.	<input type="checkbox"/>	<input type="checkbox"/>	<input type="checkbox"/>	<input checked="" type="checkbox"/>	<input type="checkbox"/>
Check all uprights at ground level for corrosion and/or rot. Replace any defective parts.	<input type="checkbox"/>	<input type="checkbox"/>	<input type="checkbox"/>	<input type="checkbox"/>	<input checked="" type="checkbox"/>
Check all painted elements for damage, rub down and repaint or replace as required.	<input type="checkbox"/>	<input type="checkbox"/>	<input type="checkbox"/>	<input checked="" type="checkbox"/>	<input type="checkbox"/>
Check chain/ropework assemblies for wear and damage, replace if required.	<input type="checkbox"/>	<input checked="" type="checkbox"/>	<input type="checkbox"/>	<input type="checkbox"/>	<input type="checkbox"/>
Check rotating and pivot points for wear and smooth running, lubricate or replace if required.	<input type="checkbox"/>	<input type="checkbox"/>	<input checked="" type="checkbox"/>	<input type="checkbox"/>	<input type="checkbox"/>
Check rubber parts for wear and/or damage, replace if required.	<input type="checkbox"/>	<input type="checkbox"/>	<input checked="" type="checkbox"/>	<input type="checkbox"/>	<input type="checkbox"/>
Check tension cables, adjust if required.	<input type="checkbox"/>	<input type="checkbox"/>	<input checked="" type="checkbox"/>	<input type="checkbox"/>	<input type="checkbox"/>
Check wear of cables, replace if required.	<input type="checkbox"/>	<input type="checkbox"/>	<input checked="" type="checkbox"/>	<input type="checkbox"/>	<input type="checkbox"/>
Check slide chutes for smoothness and any foreign elements, remove any found.	<input type="checkbox"/>	<input type="checkbox"/>	<input checked="" type="checkbox"/>	<input type="checkbox"/>	<input type="checkbox"/>
Check rubber safety surfaces for damage and poor performance, repair or replace if required.	<input type="checkbox"/>	<input type="checkbox"/>	<input type="checkbox"/>	<input checked="" type="checkbox"/>	<input type="checkbox"/>
Check loose fill safety surfaces, remove any foreign elements, rake level and top up if required.	<input type="checkbox"/>	<input type="checkbox"/>	<input checked="" type="checkbox"/>	<input type="checkbox"/>	<input type="checkbox"/>

### Disposal Instructions

All components should be broken down into categories of:-

- 1 **Mild Steel** - all 38mm Ø tube, step/ring climbers, welded bar, swing frames, deck frames, springie frames.
- 2 **Stainless Steel** - all slides, mirror panels.
- 3 **Aluminium** - all Playzone, Mission and Toddlerzone posts.
- 4 **Galvanised Steel** - all chains and Teenzone posts.
- 5 **Moulded Rubber Products without steel inserts** - all Mission and Toddlerzone Caps and edge details.
- 6 **Timber** - all natural timber, plywood, and MDF panels.

Wherever possible these materials should be taken to specialist recycling organisations and recycled.  
In some cases where composite materials are used, then disposal at land fill sites is the only alternative such as:

- 7 **Moulded Rubber Products encasing steel inserts** - all Swing Seats, Deck Tops, Duo/Dizzy Disc Tops.
- 8 **High Pressure Laminate** - all Toddlerzone, Playzone, Minizone, Teenzone and Themed panels.
- 9 **Steel Core Polypropylene Rope** - all Scramble Nets, Space Nets, Playzone/Toddlerzone/Mission Ropes.