

design
make
play

SutcliffePlay

Waggon Lane
Upton Pontefract
West Yorkshire WF9 1JS

Telephone +44 (0) 1977 653200
Facsimile +44 (0) 1977 653222
info@sutcliffeplay.co.uk
www.sutcliffeplay.co.uk

Sand & Water Play

Installation Instructions

SWU900

Sprinkle

SWU900 (Sprinkle)

Sand & Water Play Unit Installation Instructions

design
make
play
SutcliffePlay

- 1 Check using the Parts List that none of the components are missing.
- 2 Plan the final position of the water play unit ensuring there is sufficient space. It is recommended that a 1.5m circulation space be provided around the equipment.
- 3 Excavate the foundation holes in accordance with the plan and elevation.
- 4 Install the play tables in the prepared holes to the correct depth. Water table to have 1 Degree slope towards drain hole.
- 5 With all the activities fitted, fill the foundation holes to the required depth with concrete.
- 6 Do not allow the equipment to be used until the concrete has set (2 - 3 days) and the required surfacing has been installed.
- 7 Tighten all fixing bolts.
- 8 Follow the maintenance instructions supplied.

NB

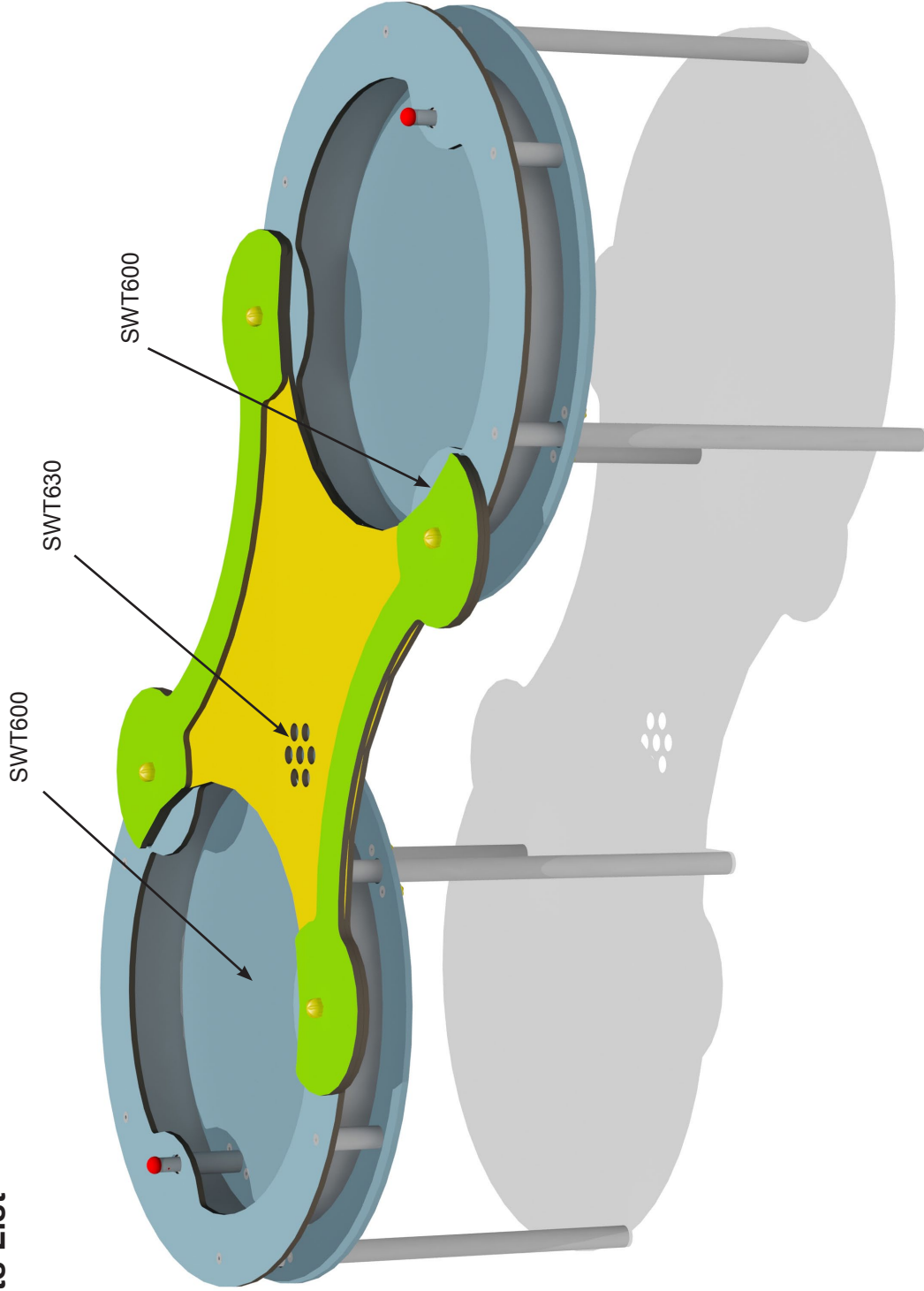
During installation care must be taken to prevent hazards to children.
Extra care should be taken if conditions are abnormal.

SWU900 (Sprinkle)

Sand & Water Play Unit

Parts List

Rev 01



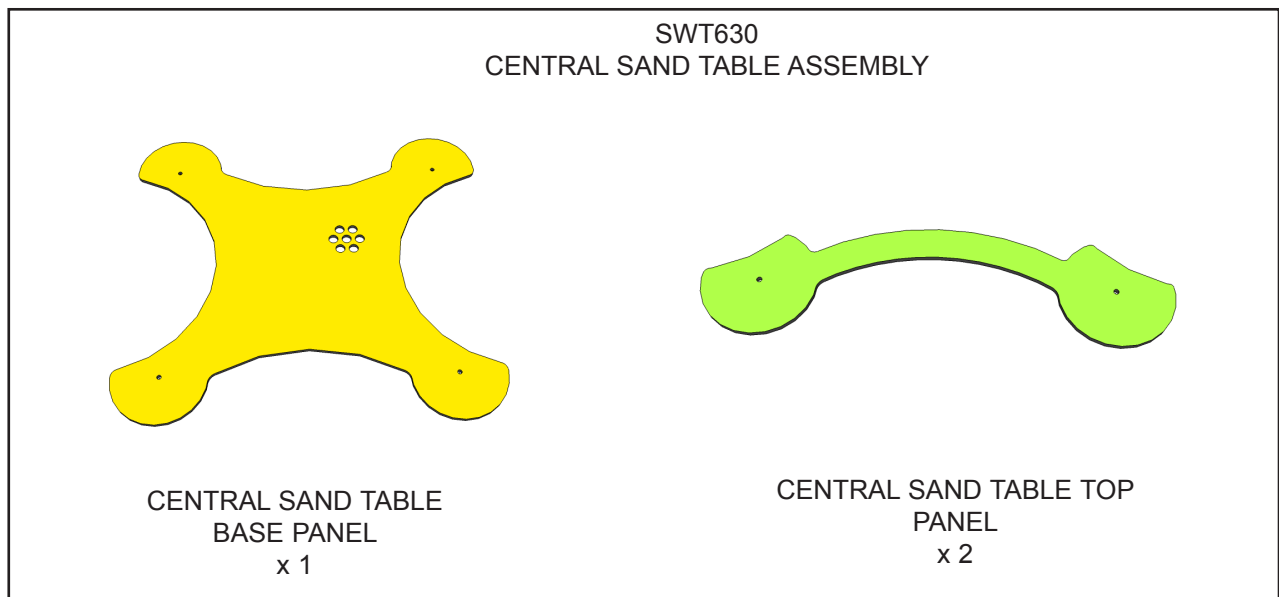
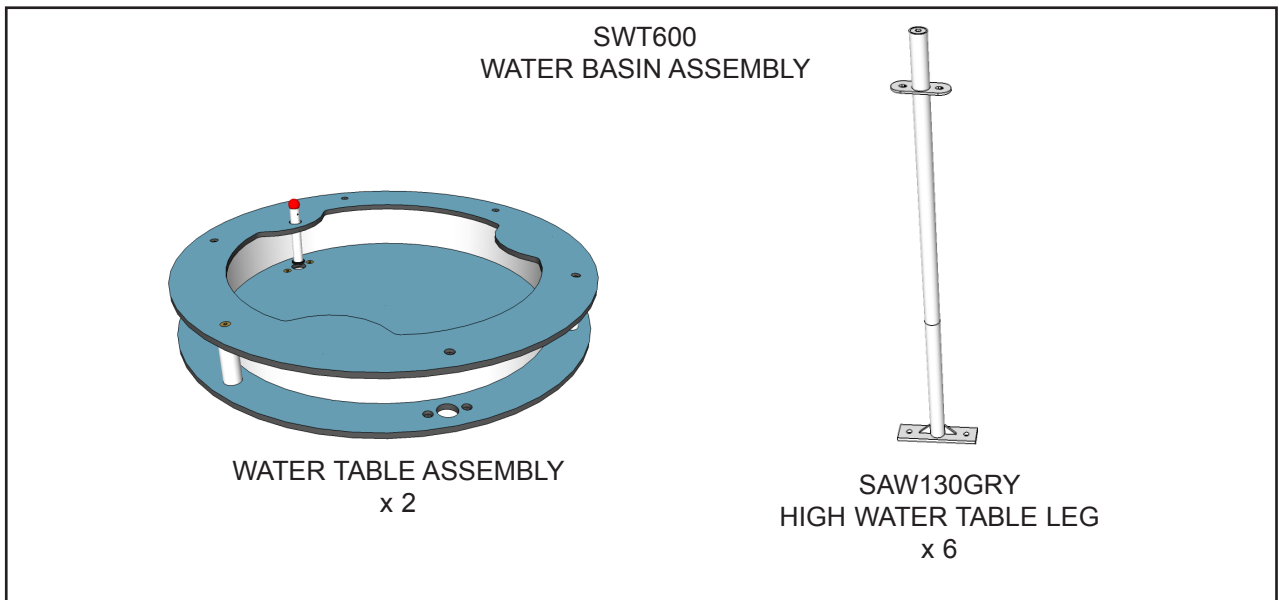
Ref	Description	Qty
SWT600	Water Basin Assembly	2
SWT630	Central Sand Table Assembly	1
SWU900F	Fixing Kit	1 Set

design
make
play
Sutcliffe Play

SWU900 (Sprinkle)

Sand & Water Play Unit
Installation Instructions

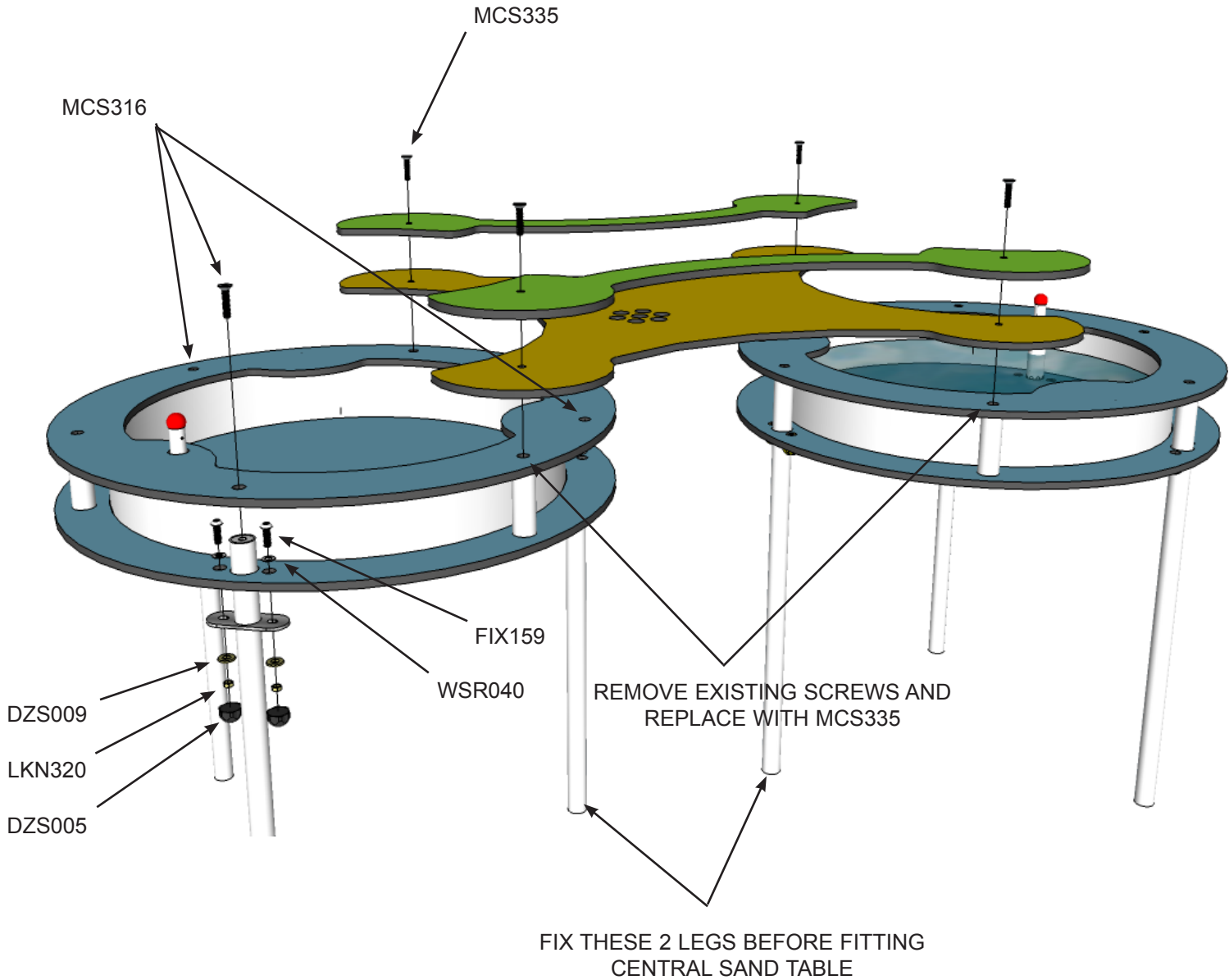
design
make
play
SutcliffePlay



SWU900 (Sprinkle)

Sand & Water Play Unit Installation Instructions

design
make
play
SutcliffePlay

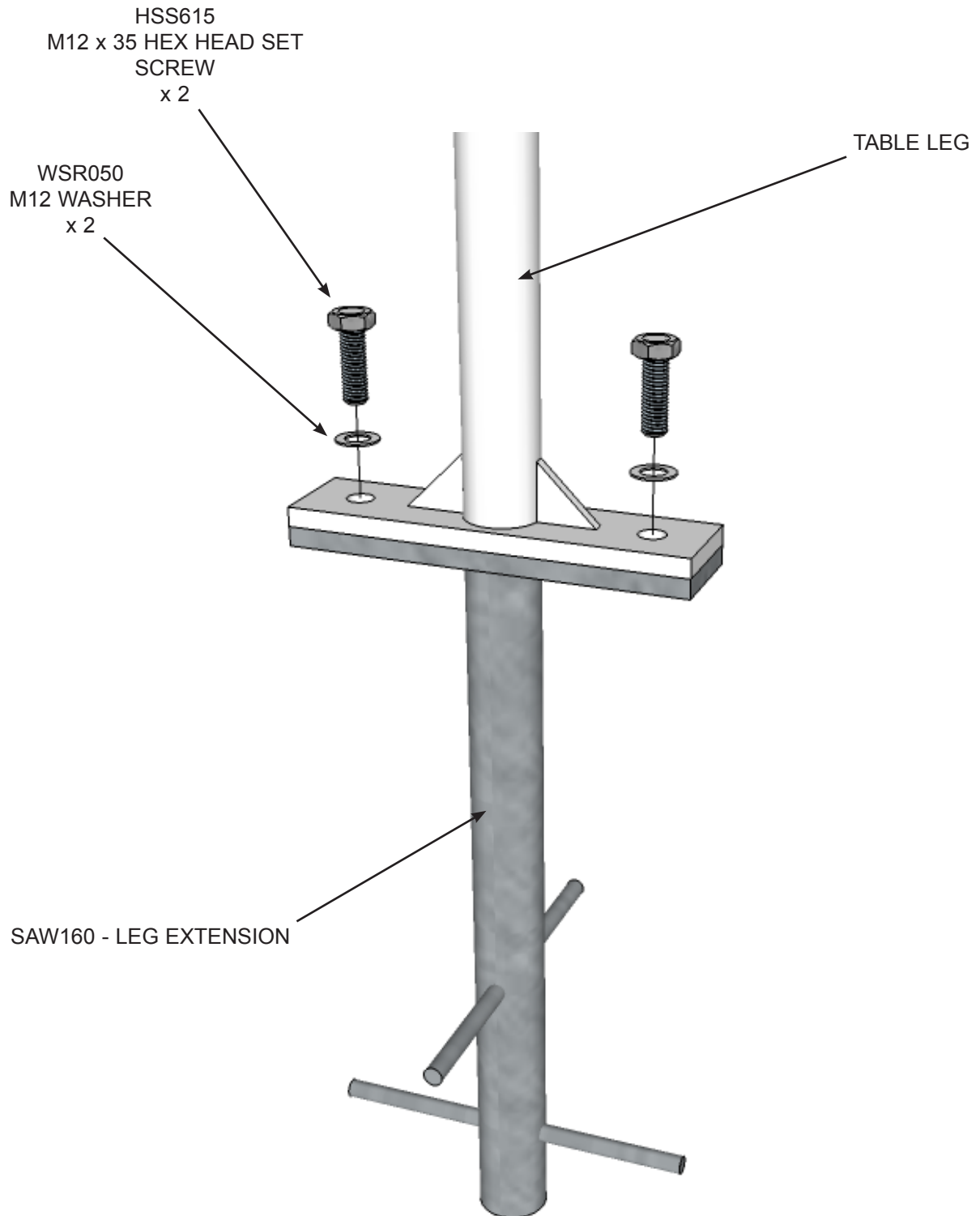


Ref	Description	Qty
DZS009	M10 Cover washer	12
DZS005	M10 Nut Cover	12
LKN320	M10 Nyloc Nut	12
FIX159	M10 x 40 Security Screw	12
WSR040	M10 ST/ST Washer	12
MCS316	M10 x 30 Countersunk Head Screw	6
MCS335	M10 x 35 Countersunk Head Screw	4

SWU900 (Sprinkle)

Sand & Water Play Unit
Leg Extension Fixing

design
make
play
SutcliffePlay



SWU900

Sprinkle Cleaning Regime

design
make
play
SutcliffePlay

General Statement

The system is designed to be a 'lost water' scheme. All water is taken directly from a pressurised direct water supply (Spout) or a hosepipe connection (Shower). The system is designed to free drain with no water being recycled.

Daily Operations

1. Remove any litter, excess sand etc from the troughs and water tables and ground level water rills.
2. Release any captive water by raising the water stoppers in the system.

Weekly Operations

1. All water play containers and streams should be wiped down with an approved mild disinfectant, diluted to manufacturers' recommendations (e.g. Milton fluid for sterilising babies' bottles).
2. N.B. At times of very high usage or a particular 'incident' this sterilisation should be carried out with a frequency appropriate to the need.

Maintenance Operations

1. After reconnection of the dispenser (Spout), flush water for at least 3 minutes to ensure there is fresh water in all water feeds.
2. Check drainage channels / sand traps on a regular basis and remove sand and litter as necessary.
3. Visually check all sand areas for litter / foreign objects and remove, disposing of safely. If the sand is contaminated, remove the portion of sand affected.
4. For general maintenance schedule please refer to the relevant documents attached.

SWU900 (Sprinkle)

Sand & Water Play Unit Maintenance Instructions



NOTE

The warranty is invalidated if these instructions are not followed.

Recommended Regular Inspection and Maintenance

	Interval Days				
	7	14	28	56	365
Check stability of structure, tighten connections if required.	<input type="checkbox"/>	<input type="checkbox"/>	<input type="checkbox"/>	<input checked="" type="checkbox"/>	<input type="checkbox"/>
Check all uprights at ground level for corrosion and/or rot. Replace any defective parts.	<input type="checkbox"/>	<input type="checkbox"/>	<input type="checkbox"/>	<input type="checkbox"/>	<input checked="" type="checkbox"/>
Check all painted elements for damage, rub down and repaint or replace as required.	<input type="checkbox"/>	<input type="checkbox"/>	<input type="checkbox"/>	<input checked="" type="checkbox"/>	<input type="checkbox"/>
Check chain/ropework assemblies for wear and damage, replace if required.	<input type="checkbox"/>	<input checked="" type="checkbox"/>	<input type="checkbox"/>	<input type="checkbox"/>	<input type="checkbox"/>
Check rotating and pivot points for wear and smooth running lubricate or replace if required.	<input type="checkbox"/>	<input type="checkbox"/>	<input checked="" type="checkbox"/>	<input type="checkbox"/>	<input type="checkbox"/>
Check rubber parts for wear and/or damage, replace if required.	<input type="checkbox"/>	<input type="checkbox"/>	<input checked="" type="checkbox"/>	<input type="checkbox"/>	<input type="checkbox"/>
Check tension cables, adjust if required.	<input type="checkbox"/>	<input type="checkbox"/>	<input checked="" type="checkbox"/>	<input type="checkbox"/>	<input type="checkbox"/>
Check wear of cables, replace if required.	<input type="checkbox"/>	<input type="checkbox"/>	<input checked="" type="checkbox"/>	<input type="checkbox"/>	<input type="checkbox"/>
Check slide chutes for smoothness and any foreign elements, remove any found.	<input type="checkbox"/>	<input type="checkbox"/>	<input checked="" type="checkbox"/>	<input type="checkbox"/>	<input type="checkbox"/>
Check rubber safety surfaces for damage and poor performance, repair or replace if required.	<input type="checkbox"/>	<input type="checkbox"/>	<input type="checkbox"/>	<input checked="" type="checkbox"/>	<input type="checkbox"/>
Check loose fill safety surfaces, remove any foreign elements, rake level and top up if required.	<input type="checkbox"/>	<input type="checkbox"/>	<input checked="" type="checkbox"/>	<input type="checkbox"/>	<input type="checkbox"/>

Disposal Instructions

All components should be broken down into categories of:-

- 1 **Mild Steel** - all Swing Frames, Playzone, Toddlerzone activities, Deck Frames and Springie Frames.
- 2 **Stainless Steel** - all Slides, Mirror Panels.
- 3 **Aluminium** - all Playzone and Toddlerzone Posts.
- 4 **Galvanised Steel** - all Chains and Teenzone Posts.
- 5 **Moulded Rubber Products without steel inserts** - all Toddlerzone Caps and edge details.
- 6 **Timber** - all natural timber, plywood, and MDF panels.

Wherever possible these materials should be taken to specialist recycling organisations and recycled.

In some cases where composite materials are used, then disposal at land fill sites is the only alternative such as:

- 7 **Moulded Rubber Products encasing steel inserts** - all Swing Seats, Deck Tops, Duo/Dizzy Disc Tops.
- 8 **High Pressure Laminate** - all Toddlerzone, Playzone and Teenzone Panels.
- 9 **Steel Core Polypropylene Rope** - all Scramble Nets, Space Nets, Playzone/Toddlerzone Ropes.
- 10 **Electrical** waste should be dealt with in accordance with WEEE Regulations and local facilities or taken to specialist recycling organisations.