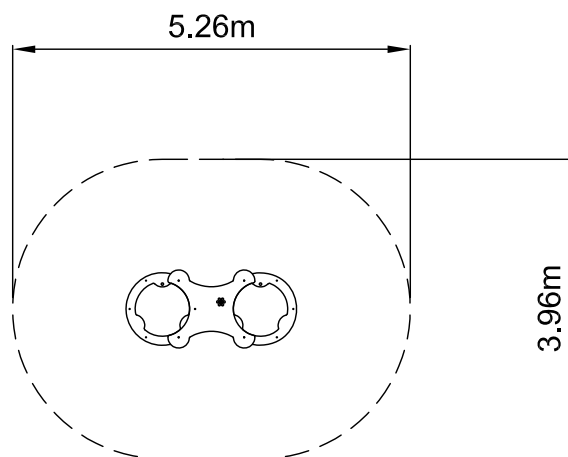


Water Play Sprinkle SWU900

Dwn PM Scale 1:100@A4 12.06.18

Good design
for children

SutcliffePlay



SAFETY SURFACING
AREA 17.5m²
PERIMETER 15m
No surfacing required

PRODUCT SPECIFICS

Age
Range 2 - 6 years

Play Type Physical, social,
locomotor, inclusive

DO NOT SCALE FROM THIS DRAWING
THIS DRAWING MUST NOT BE USED
FOR INSTALLATION PURPOSES.