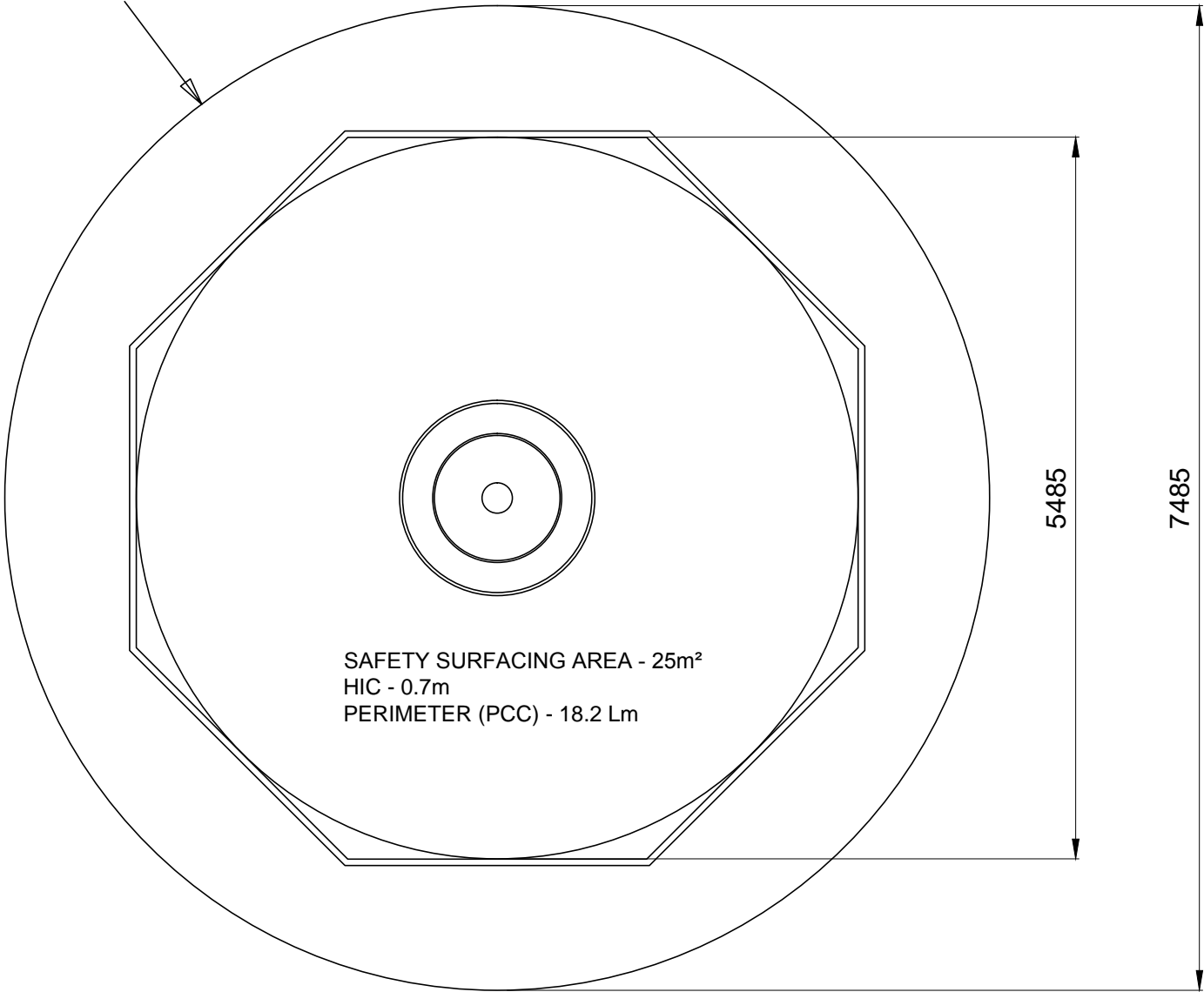

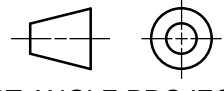


DRG No	REV
SWD950 / 960	00

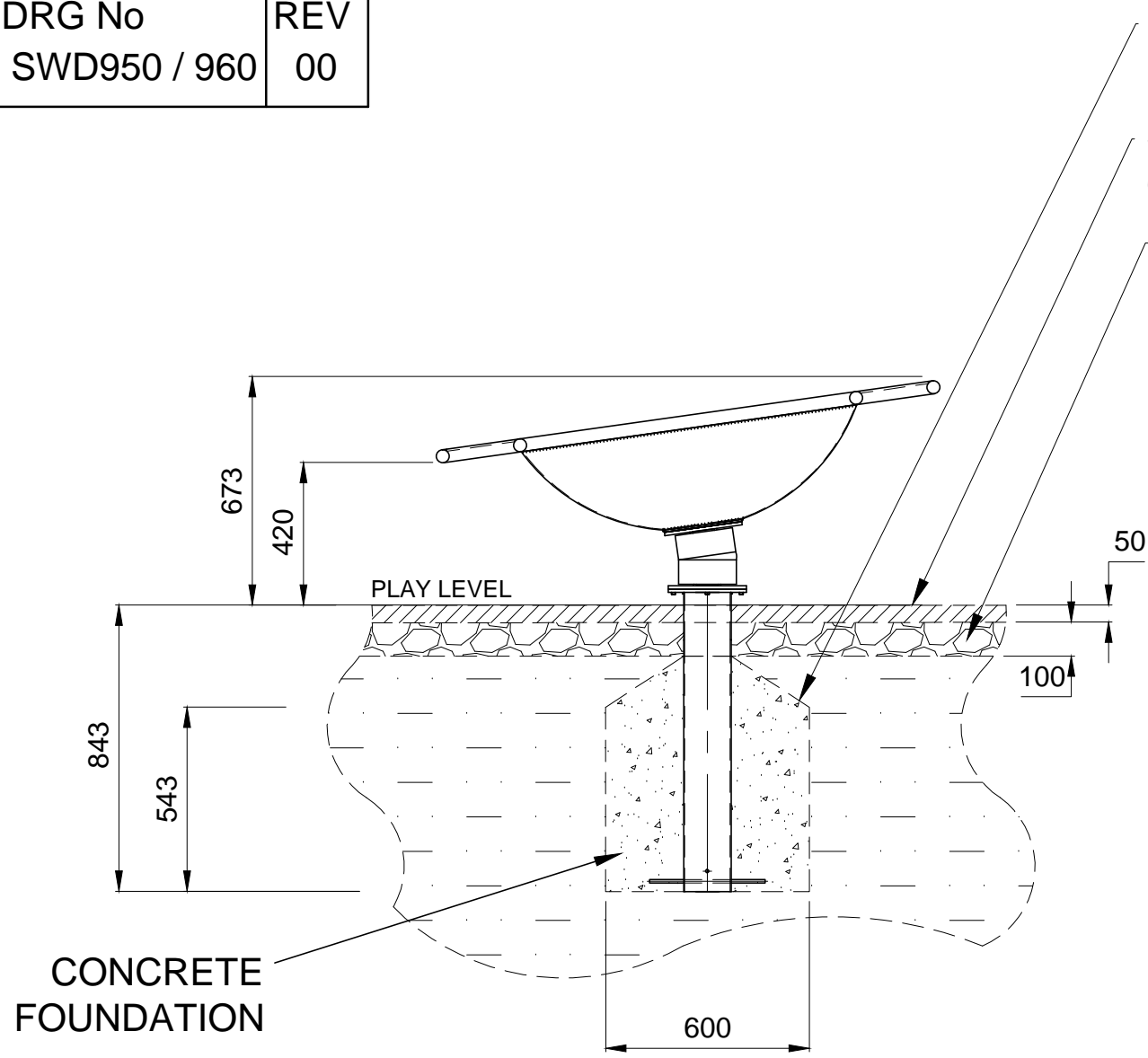
CIRCULATION ZONE
(NO OBSTRUCTIONS
WITHIN THIS AREA)



GENERAL TOLERANCES UNLESS OTHERWISE STATED DECIMAL PLACES 0 = ±1 0.0 = ±0.5 0.00 = ±0.05 ANGULAR TOLERANCE ±1° ALL WELDS TO WPS1 WELDING SPECIFICATION UNLESS OTHERWISE STATED	TITLE		REVISION	DESCRIPTION		
	INSTALLATION PLAN		DRAWN BY	PM	 FIRST ANGLE PROJECTION	
	(PAGE 1 OF 2)		CHECKED			
			SCALE	1 : 50	DRG No	REV
			DATE	29.04.19	SWD950 / 960	00

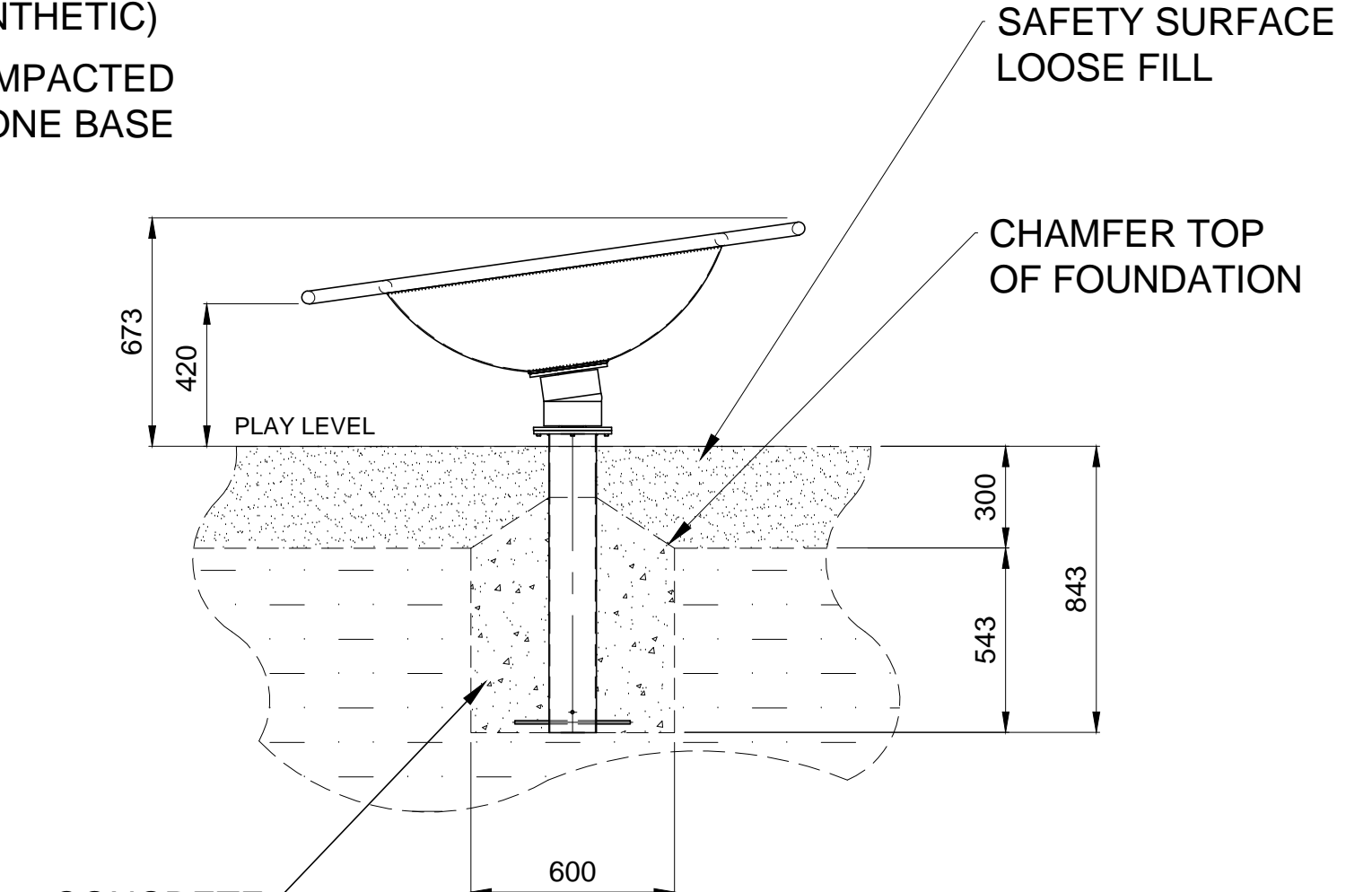
DO NOT SCALE THIS DRAWING

DRG No	REV
SWD950 / 960	00



SYNTHETIC SAFETY SURFACE

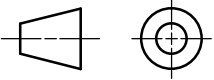
- CHAMFER TOP OF FOUNDATION
- SAFETY SURFACE (SYNTHETIC)
- COMPACTED STONE BASE



LOOSE FILL SAFETY SURFACE

- SAFETY SURFACE LOOSE FILL
- CHAMFER TOP OF FOUNDATION

DO NOT SCALE THIS DRAWING

GENERAL TOLERANCES UNLESS OTHERWISE STATED DECIMAL PLACES 0 = ±1 0.0 = ±0.5 0.00 = ±0.05 ANGULAR TOLERANCE ±1° ALL WELDS TO WPS1 WELDING SPECIFICATION UNLESS OTHERWISE STATED	TITLE		REVISION		DESCRIPTION	
	INSTALLATION ELEVATION (PAGE 2 OF 2)		DRAWN BY		PM	 FIRST ANGLE PROJECTION
			CHECKED			
	SCALE		1 : 20		DRG No	
	DATE		29.04.19		SWD950 / 960	
				REV		
				00		

*design
make
play*
SutcliffePlay