

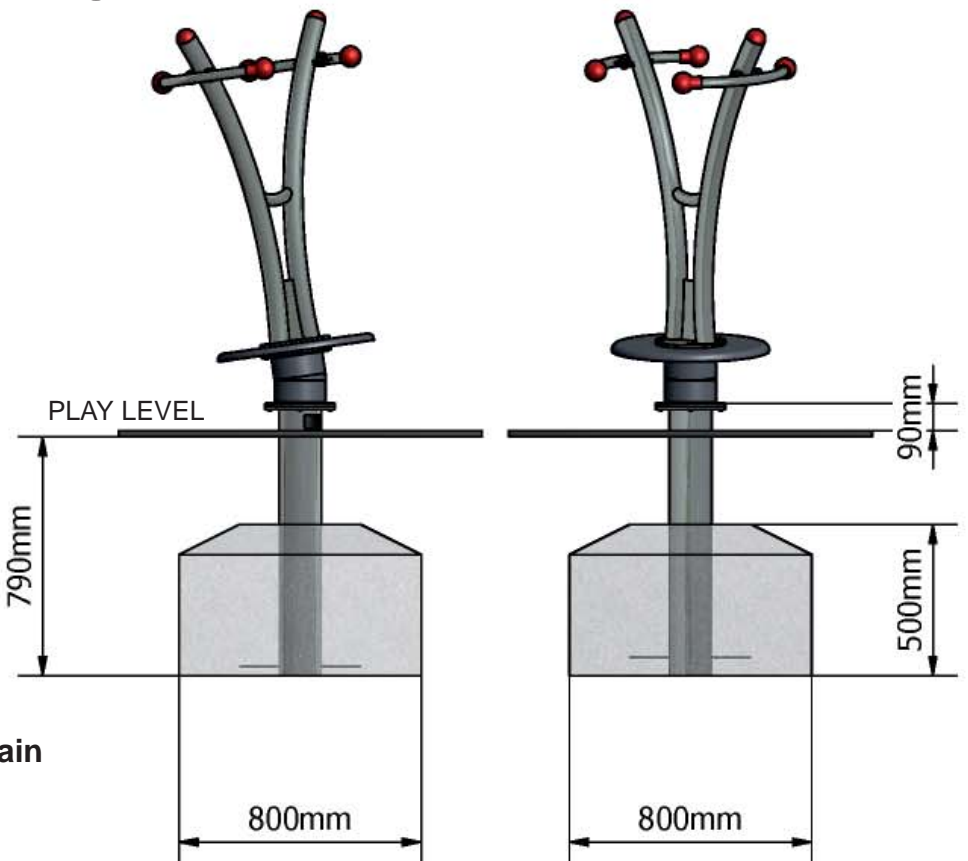
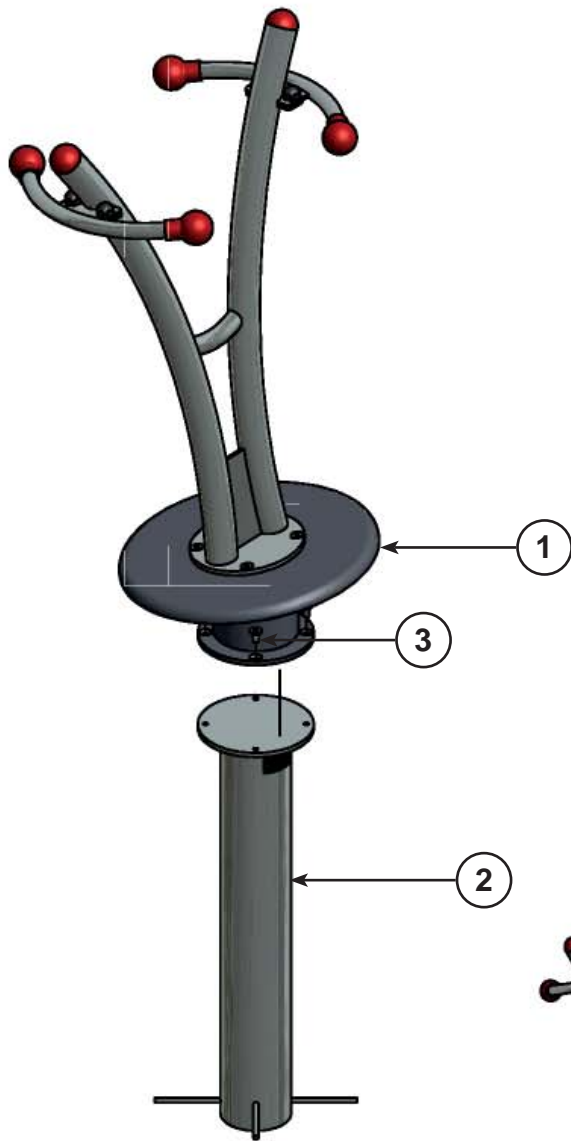
Installation instructions

Rock Spinner SWD300

Sheet 1 of 3 Rev 01

Good design
for children

SutcliffePlay



Concrete Required

800 x 800 x 500 Deep. Leave 290 between the concrete and the play level. Chamfer all edges and corners of the concrete block.

Important Note

The site must be level to maintain critical dimensions

Installation instructions

Rock Spinner SWD300

Sheet 2 of 3 Rev 01

Installation procedure

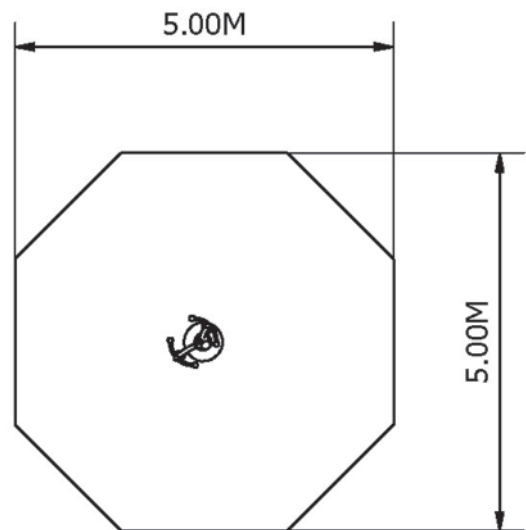
1. Plan the final position of the play equipment ensuring that there is sufficient space*.
2. Excavate the foundation hole in accordance with the plan**.
3. Place the ground fixing in the foundation hole, ensure it is level and the top plate sits 90mm above the play level. Fill with concrete.
4. When the concrete has set (2 - 3 days) fit the Spinner top to the ground fixing using the M12 screws supplied.
5. Do not allow the equipment to be used until the required safety surface has been installed.
6. Check if all the fixing bolts are tight.
7. Follow the Maintenance Instructions provided.

* Care should be taken during installation to decrease the hazard to children.

** Care should be taken if the conditions aren't normal.

Space requirements to EN1176

1. Area of safety surface 20M².
2. Perimeter of safety surface 12.4M.
3. HIC 1M



Scale 1:100

Parts supplied

No	Description	Qty	Stock Code
1	Spinner Top	1	
2	Ground fixing	1	SWD115
3	Set of fixings:- M12 x 25 Screw	4	MCS406

Required tools for installation

Tape measure

Spirit level

Digging equipment

Good design
for children

Sutcliffeplay

Waggon Lane
Upton Pontefract
West Yorkshire WF9 1JS
Telephone +44 (0)1977 653200
Facsimile +44 (0)1977 653222
info@ sutcliffeplay.co.uk
www. sutcliffeplay.co.uk

Maintenance instructions

Rock Spinner SWD300

Sheet 3 of 3 Rev 01

Good design
for children
SutcliffePlay

NOTE

The warranty is invalidated if these instructions are not followed.

Recommended regular inspection and maintenance

	Interval days				
	7	14	28	56	365
Check stability of structure, tighten connections if required.	<input type="checkbox"/>	<input type="checkbox"/>	<input type="checkbox"/>	<input checked="" type="checkbox"/>	<input type="checkbox"/>
Check parts at ground level for corrosion and/or rot. Replace any defective parts	<input type="checkbox"/>	<input type="checkbox"/>	<input type="checkbox"/>	<input type="checkbox"/>	<input checked="" type="checkbox"/>
Check all painted elements for damage, rub down and repaint or replace as required.	<input type="checkbox"/>	<input type="checkbox"/>	<input type="checkbox"/>	<input checked="" type="checkbox"/>	<input type="checkbox"/>
Check rotating pivot points for wear and smooth running lubricate or replace if required.	<input type="checkbox"/>	<input checked="" type="checkbox"/>	<input type="checkbox"/>	<input type="checkbox"/>	<input type="checkbox"/>
Check rubber parts for wear and/or damage, replace if required.	<input type="checkbox"/>	<input checked="" type="checkbox"/>	<input type="checkbox"/>	<input type="checkbox"/>	<input type="checkbox"/>
Check rubber safety surfaces for damage and poor performance, repair or replace if required.	<input type="checkbox"/>	<input type="checkbox"/>	<input type="checkbox"/>	<input checked="" type="checkbox"/>	<input type="checkbox"/>
Check loose fill safety surfaces remove any foreign elements, repair or replace if required.	<input type="checkbox"/>	<input checked="" type="checkbox"/>	<input type="checkbox"/>	<input type="checkbox"/>	<input type="checkbox"/>

Disposal Instructions

All components should be broken down into categories of:-

1. **Mild Steel** - all swing frames, Playzone, Toddlerzone and Teenzone activities, deck frames and springie frames.
2. **Stainless Steel** - all slides, mirror panels.
3. **Aluminium** - all Playzone and Toddlerzone posts.
4. **Galvanised steel** - all chains and Teenzone posts.
5. **Moulded rubber products without steel inserts** - all Toddlerzone and Playzone caps and panel edging.
6. **Timber** - all natural timber, plywood and mdf panels.

Wherever possible these materials should be taken to a specialist recycling organisations and recycled. In some cases where composite materials are used then disposal at land fill sites is the only alternative such as:-

7. **Moulded rubber product with steel inserts** - all seats, deck tops, duo/dizzy disc tops.
8. **High pressure laminate** - all Toddlerzone and Playzone panels.
9. **Steel core polypropylene rope** - all scramble nets, space nets, Playzone and Toddlerzone ropes and rope bridges.