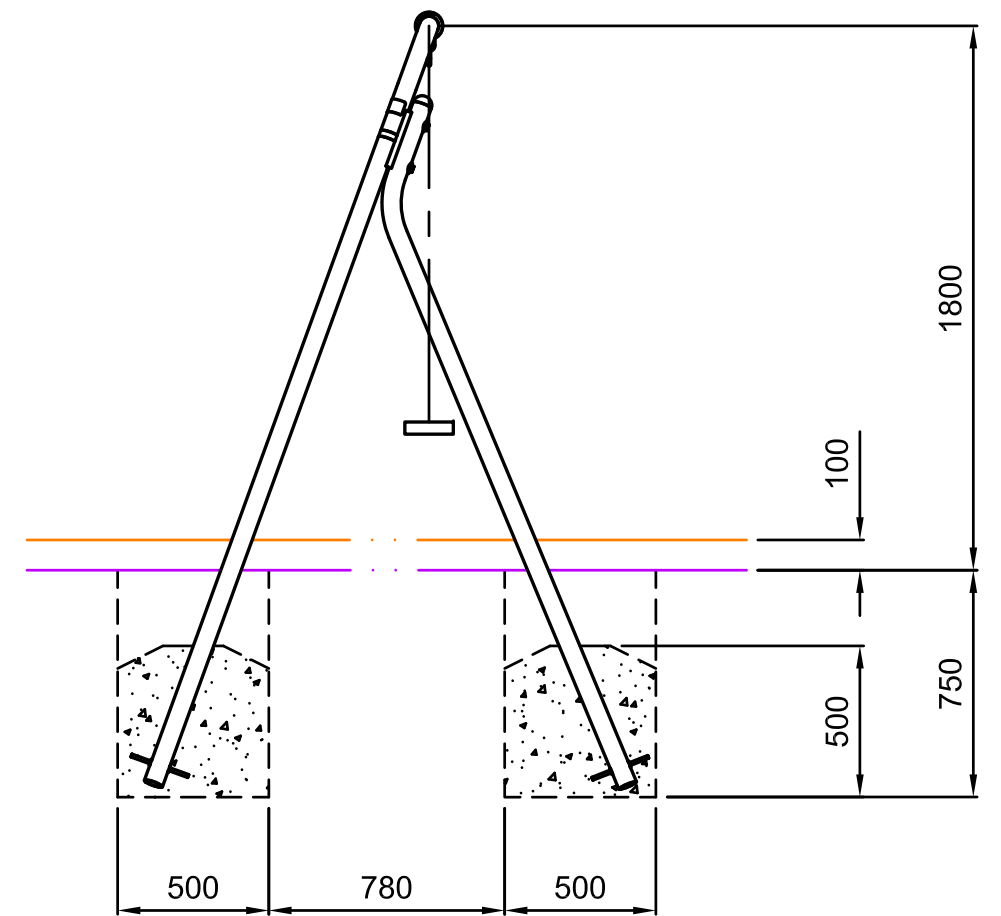
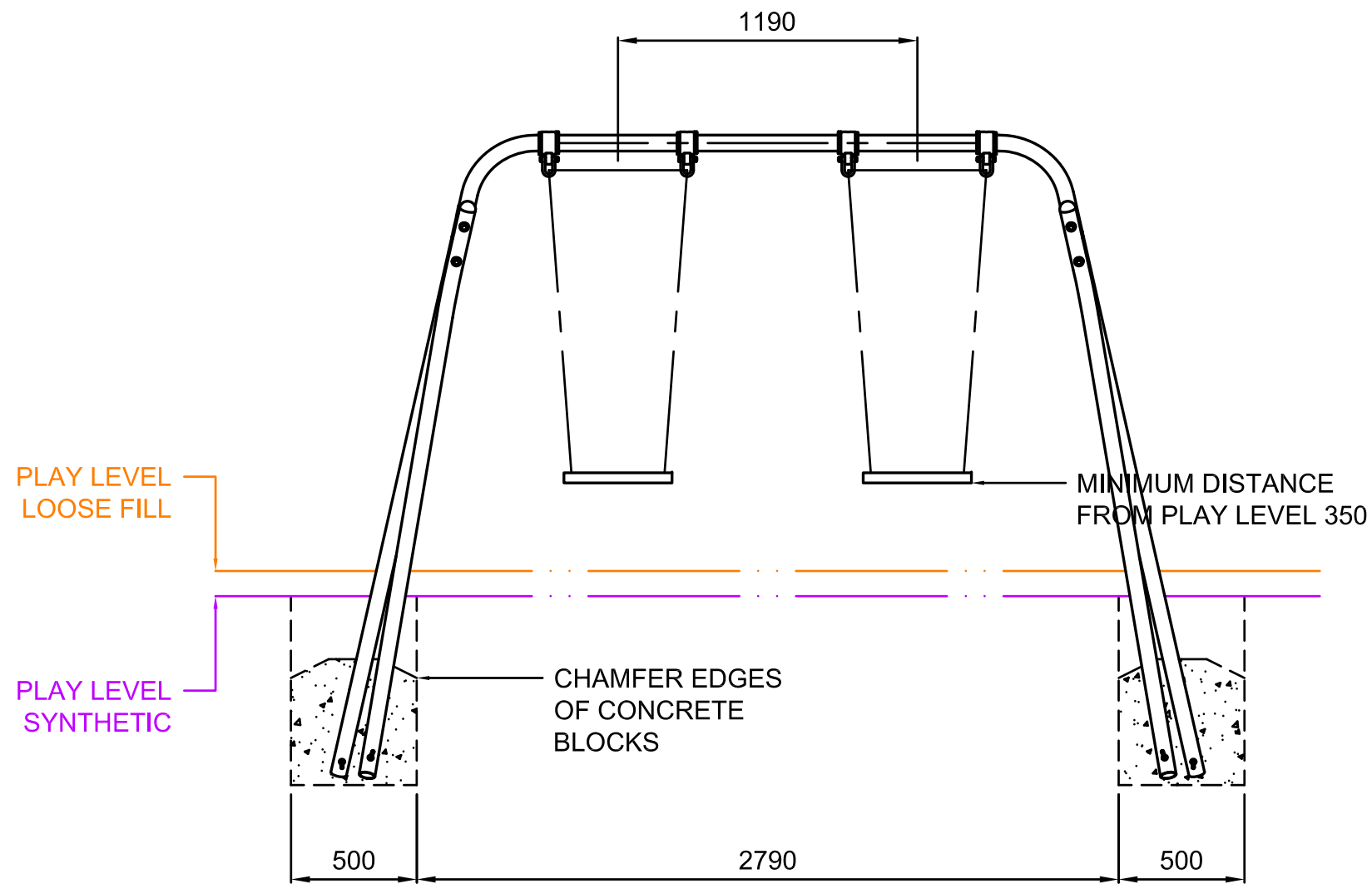


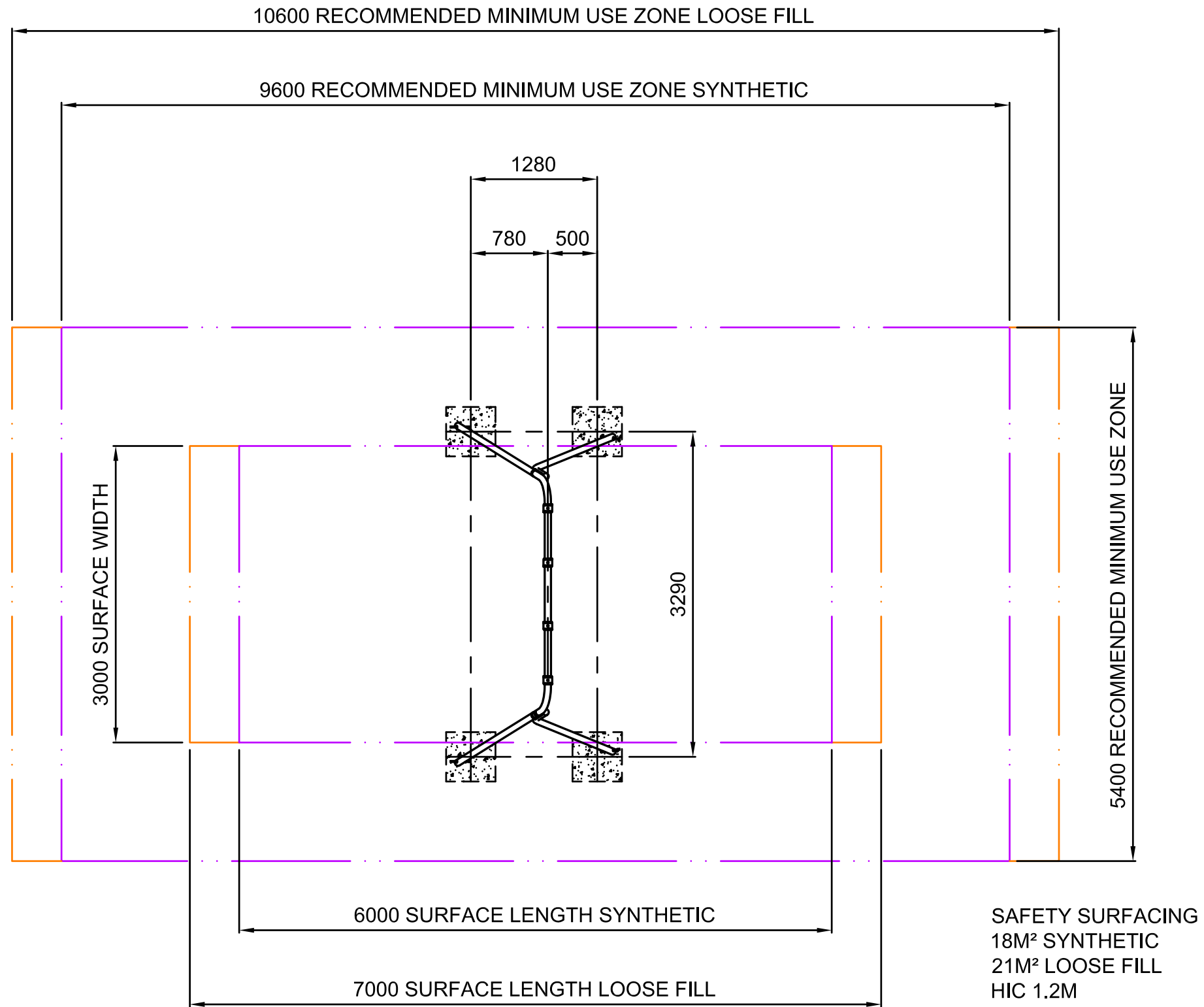
DRG No	REV
SSF106	00



DO NOT SCALE THIS DRAWING.
IF IN DOUBT ASK. ALL DIMENSIONS
IN MM UNLESS OTHERWISE STATED.

<p>GENERAL TOLERANCES UNLESS OTHERWISE STATED</p> <p>DECIMAL PLACES</p> <p>0 = ±1</p> <p>0.0 = ±0.5</p> <p>0.00 = ±0.05</p> <p>ANGULAR TOLERANCE</p> <p>±1°</p> <p>ALL WELDS TO WPS1 WELDING SPECIFICATION UNLESS OTHERWISE STATED</p>	<p>TITLE</p> <p>1.8M 2 SEAT SWING FRAME USED ON SWB062, SWC062 SWF062, SWP062</p>		<p><i>Good design for children</i></p> <p>SutcliffePlay</p>	REVISION	DESCRIPTION	
	DRAWN BY	AMG		<p>FIRST ANGLE PROJECTION</p>		
	CHECKED					
	SCALE	1:25		DRG No	REV	
	DATE	10.08.11		SSF106	00	

DRG No	REV
SSF106	00



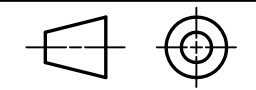
SAFETY SURFACING
 18M² SYNTHETIC
 21M² LOOSE FILL
 HIC 1.2M

DO NOT SCALE THIS DRAWING.
 IF IN DOUBT ASK. ALL DIMENSIONS
 IN MM UNLESS OTHERWISE STATED.

GENERAL TOLERANCES
 UNLESS OTHERWISE STATED
 DECIMAL PLACES
 0 = ±1
 0.0 = ±0.5
 0.00 = ±0.05
 ANGULAR TOLERANCE
 ±1°
 ALL WELDS TO WPS1
 WELDING SPECIFICATION
 UNLESS OTHERWISE STATED

TITLE
**1.8M 2 SEAT SWING
 FRAME USED ON
 SWB062, SWC062
 SWF062, SWP062**

*Good design
 for children*
SutcliffePlay

REVISION	DESCRIPTION		
DRAWN BY	AMG	 FIRST ANGLE PROJECTION	
CHECKED			
SCALE	1:50	DRG No	REV
DATE	10.08.11	SSF106	00