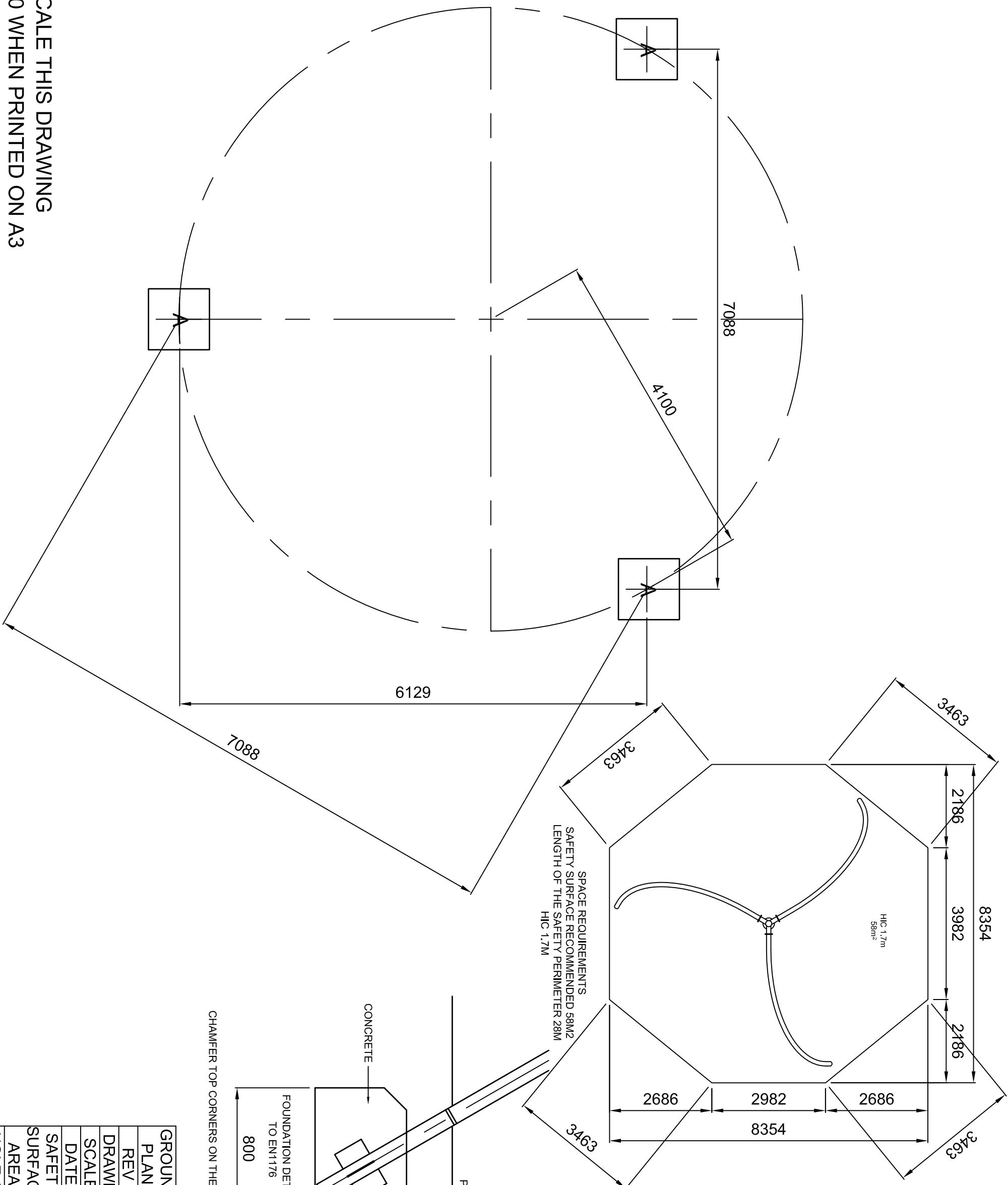


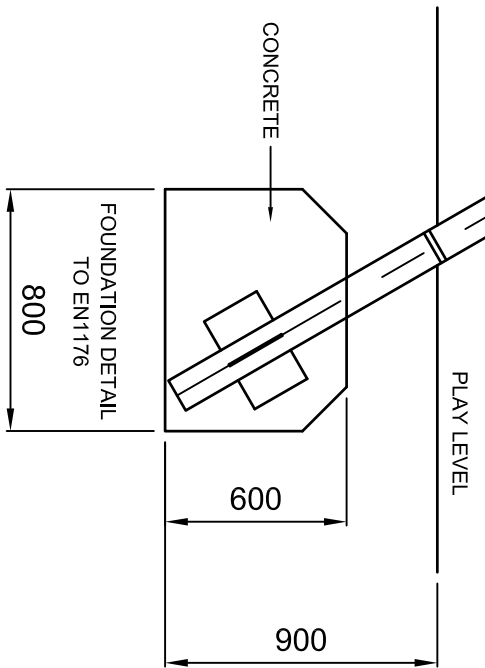
DO NOT SCALE THIS DRAWING
SCALE 1:50 WHEN PRINTED ON A3

| | |
|---------------------|----------|
| SIDE VIEW | SSS110 |
| REV | 00 |
| DRAWN | IM |
| SCALE | 1:50 |
| DATE | 16.03.12 |
| SAFETY SURFACE AREA | |

SPACE REQUIREMENTS
SAFETY SURFACE RECOMMENDED 58M²
LENGTH OF THE SAFETY PERIMETER 28M
HIC 1.7M



CHAMFER TOP CORNERS ON THE CONCRETE BLOCK



| | |
|-------------------------|---------------|
| GROUND PLAN | SSS110 |
| REV | 00 |
| DRAWN | SS |
| SCALE | 1:50 |
| DATE | 09/11/09 |
| SAFETY SURFACE AREA | |
| HOLE A 800X800X900 DEEP | |

DO NOT SCALE THIS DRAWING
SCALE 1:50 WHEN PRINTED ON A3