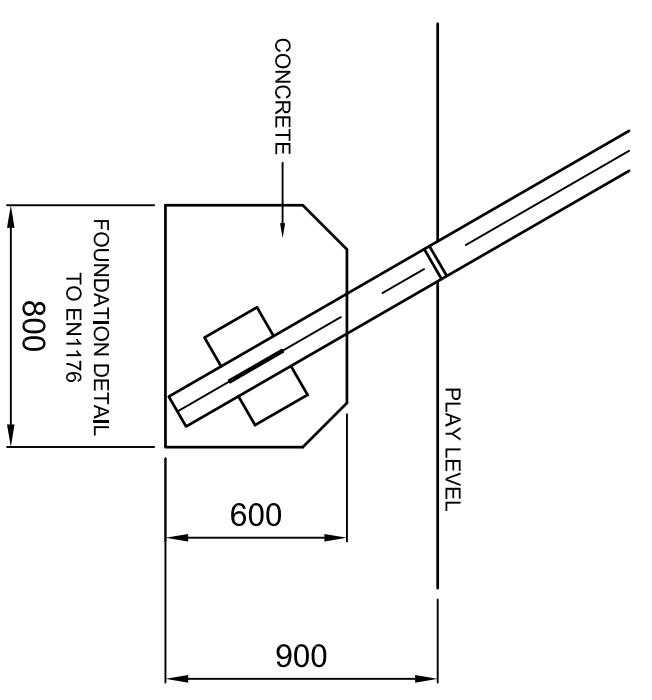
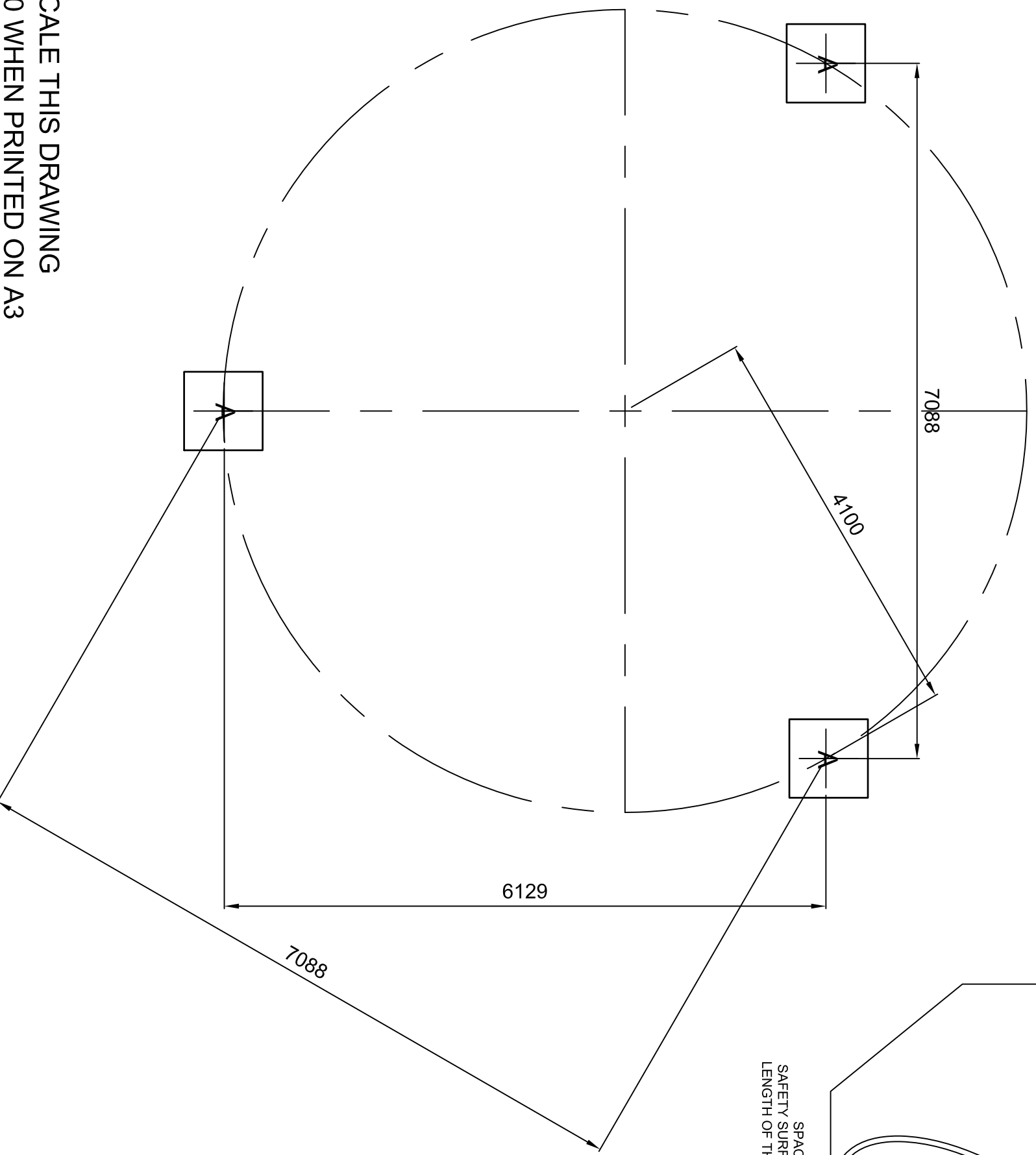


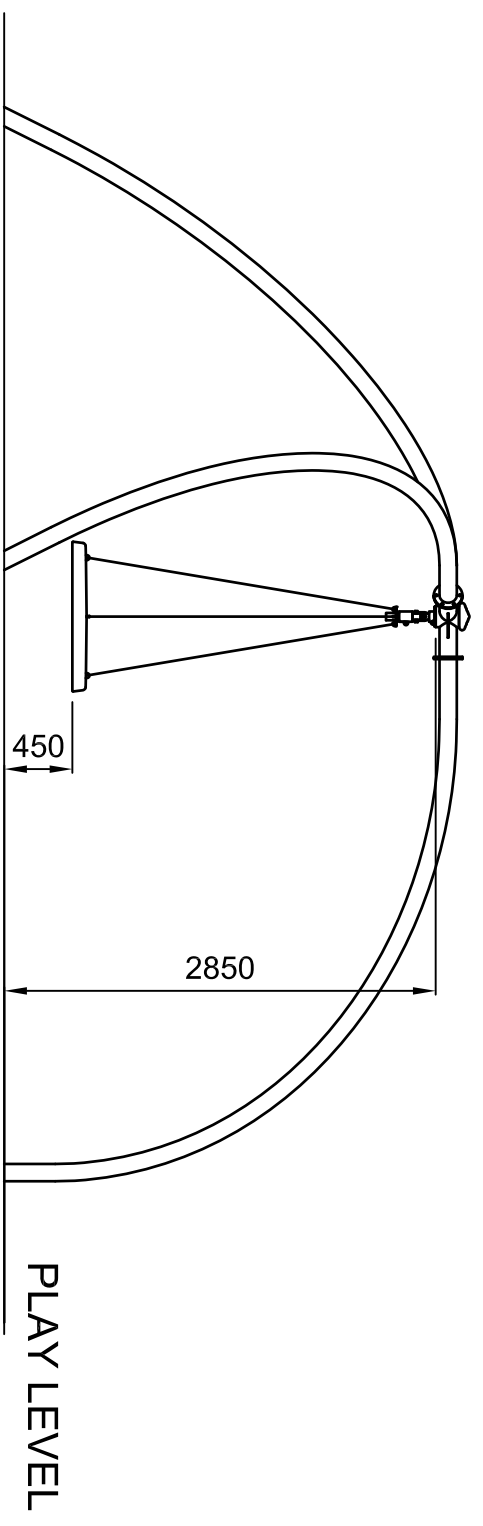
SPACE REQUIREMENTS
SAFETY SURFACE RECOMMENDED 58M²
LENGTH OF THE SAFETY PERIMETER 28M
HIC 1.7M



CHAMFER TOP CORNERS ON THE CONCRETE BLOCK

GROUND PLAN	SSS100
REV	00
DRAWN	SS
SCALE	1:50
DATE	09/11/09
SAFETY SURFACE AREA	
HOLE A 800X800X900 DEEP	

DO NOT SCALE THIS DRAWING
SCALE 1:50 WHEN PRINTED ON A3



DO NOT SCALE THIS DRAWING
SCALE 1:50 WHEN PRINTED ON A3

SIDE VIEW	SSS100
REV	00
DRAWN	SS
SCALE	1:50
DATE	09/11/09
SAFETY SURFACE AREA	