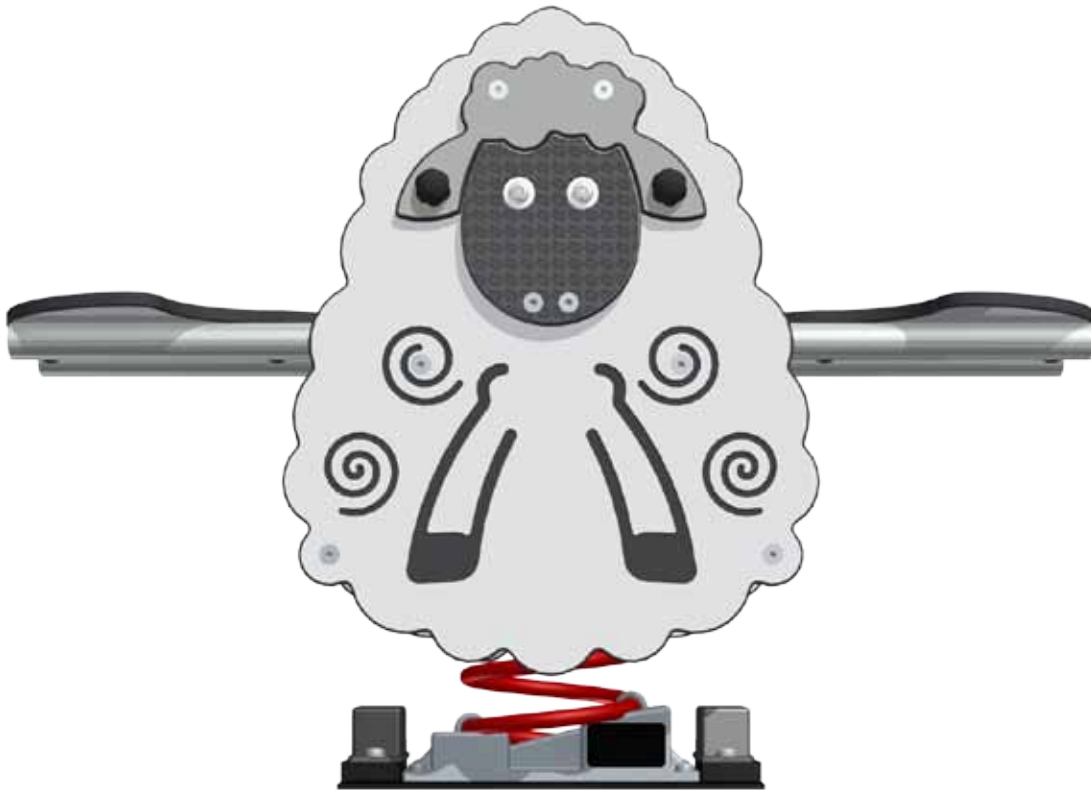


design
make
play

SutcliffePlay

Waggon Lane
Upton Pontefract
West Yorkshire WF9 1JS
Telephone +44 (0) 1977 653200
Facsimile +44 (0) 1977 653222
info@sutcliffeplay.co.uk
www.sutcliffeplay.co.uk



Shirley Sheep Springie Seesaw SSB830

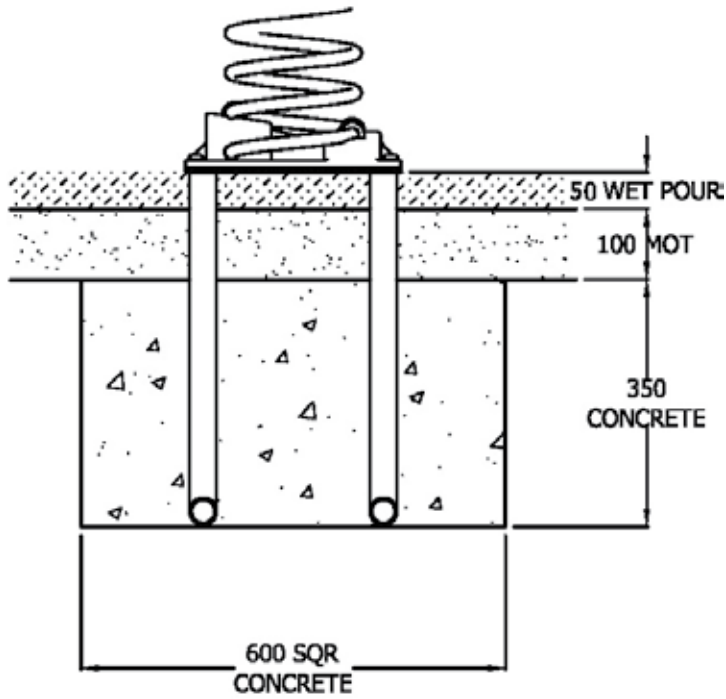
Installation Instructions

Installation Instructions

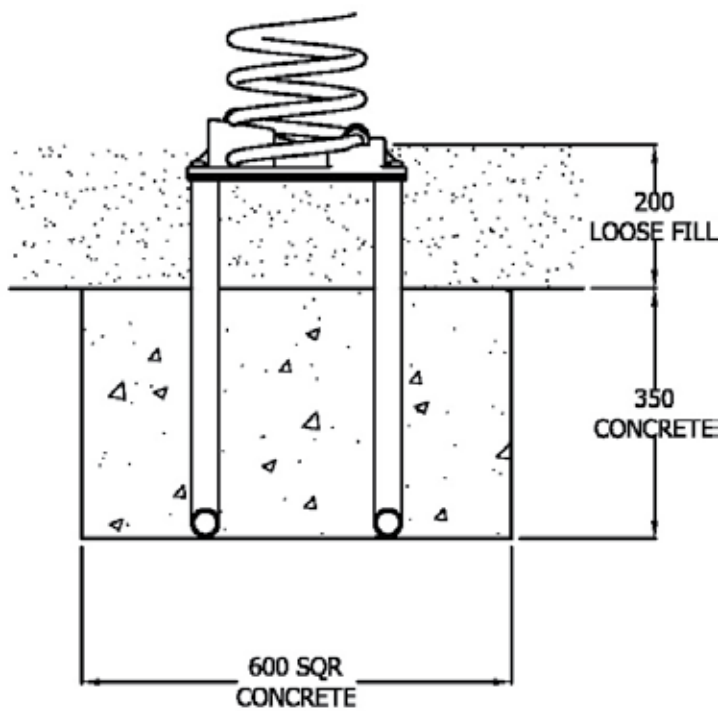
SSB830 Foundation Details

design
make
play
SutcliffePlay

Wet Pour Foundations

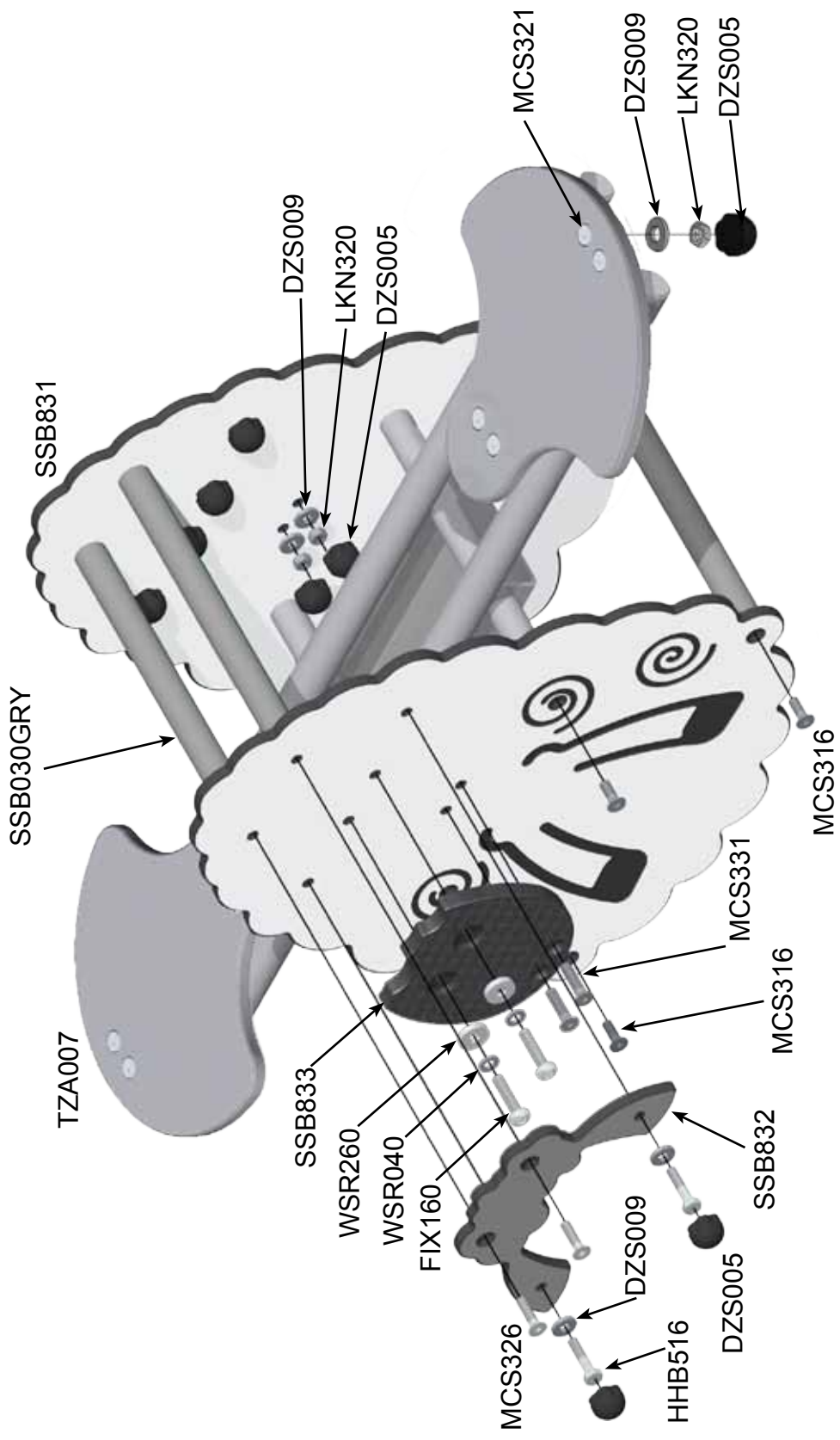


Loose Fill Foundations



Installation Instructions

SSB830 Assembly Instructions



Installation Instructions

SSB830 Installation Procedure

1. Plan the final position of the play equipment ensuring that there is sufficient space*.
2. Excavate the foundation hole in accordance with the plan**.
3. Place the ground fixing in the foundation hole, ensure it is level and at the required depth. Fill with concrete.
4. When the concrete has set (2 - 3 days) fit the Springie top.
5. Do not allow the equipment to be used until the concrete has set (2 - 3 days) and the required safety surface has been installed.
6. Check if all the fixing bolts are tight.
7. Follow the Maintenance Instructions provided.

Important Note

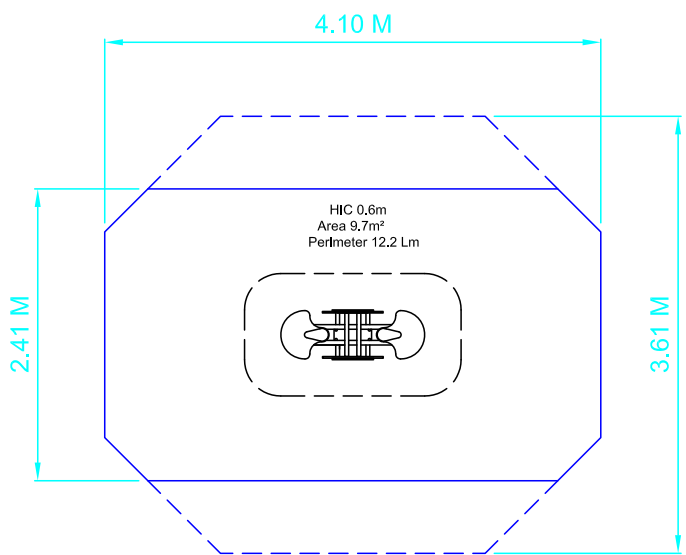
- * Care should be taken when installing the product, to reduce the hazard for the user.
- ** Extra care should be taken if conditions aren't normal.

Space requirements to EN1176

1. Area of safety surface 9.7M².
2. Perimeter of safety surface 12.2M.
3. HIC 0.6M

Parts supplied

No	Description	Qty	Stock Code
1	Springie	1	
2	Ground fixing	1	SSA064
3	Set of fixings:-		
	M10 x 30 Screw	4	FIX155
	M10 Washer	4	WSR040
	Fixing Tool	1	FIX195



Required tools for installation

Fixing tool supplied (FIX195)
Tape measure
Spirit level
Digging equipment

Maintenance Instructions

SSB830 Shirley Sheep Springie Seesaw

NOTE: The warranty is invalidated if these instructions are not followed.



Recommended regular inspection and maintenance

	Interval days				
	7	14	28	56	365
Check stability of structure, tighten connections if required.	<input type="checkbox"/>	<input type="checkbox"/>	<input type="checkbox"/>	<input checked="" type="checkbox"/>	<input type="checkbox"/>
Check parts at ground level for corrosion and/or rot. Replace any defective parts	<input type="checkbox"/>	<input type="checkbox"/>	<input type="checkbox"/>	<input checked="" type="checkbox"/>	<input type="checkbox"/>
Check all painted elements for damage, rub down and repaint or replace as required.	<input type="checkbox"/>	<input type="checkbox"/>	<input type="checkbox"/>	<input checked="" type="checkbox"/>	<input type="checkbox"/>
Check rotating pivot points for wear and smooth running lubricate or replace if required.	<input type="checkbox"/>	<input type="checkbox"/>	<input checked="" type="checkbox"/>	<input type="checkbox"/>	<input type="checkbox"/>
Check rubber parts for wear and/or damage, replace if required.	<input type="checkbox"/>	<input type="checkbox"/>	<input checked="" type="checkbox"/>	<input type="checkbox"/>	<input type="checkbox"/>
Check rubber safety surfaces for damage and poor performance, repair or replace if required.	<input type="checkbox"/>	<input type="checkbox"/>	<input type="checkbox"/>	<input checked="" type="checkbox"/>	<input type="checkbox"/>
Check loose fill safety surfaces remove any foreign elements, repair or replace if required.	<input type="checkbox"/>	<input checked="" type="checkbox"/>	<input type="checkbox"/>	<input type="checkbox"/>	<input type="checkbox"/>
Check spring for fatigue or wear and tear	<input type="checkbox"/>	<input type="checkbox"/>	<input checked="" type="checkbox"/>	<input type="checkbox"/>	<input type="checkbox"/>

Disposal Instructions

All components should be broken down into categories of:

- 1 **Mild steel** - swing frames, powder coated activities, deck frames and Themed/springie frames.
- 2 **Stainless steel** - all slides, slide bars and mirror panels.
- 3 **Aluminium** - all Playzone, Toddlerzone and Neo posts.
- 4 **Galvanised steel** - swing frames, chains and Teenzone posts.
- 5 **Moulded rubber products without steel inserts** - all Toddlerzone caps, rubber nest seat and edge details.
- 6 **Timber** - all natural timber, Orchard posts and plywood.

Wherever possible these materials should be taken to specialist recycling organisations and recycled. In some cases where composite materials are used, then disposal at land fill sites is the only alternative such as:

- 7 **Moulded rubber products with steel inserts** - all swing seats, deck tops, duo/dizzy discs tops, post caps.
- 8 **High Pressure Laminate** - Toddlerzone/Playzone/Teenzone/Themed/Minizone/Mini Town/Springie/Neo panels.
- 9 **Steel Core Polypropylene Rope** - all scramble nets, space nets, unit activity ropes and nets.