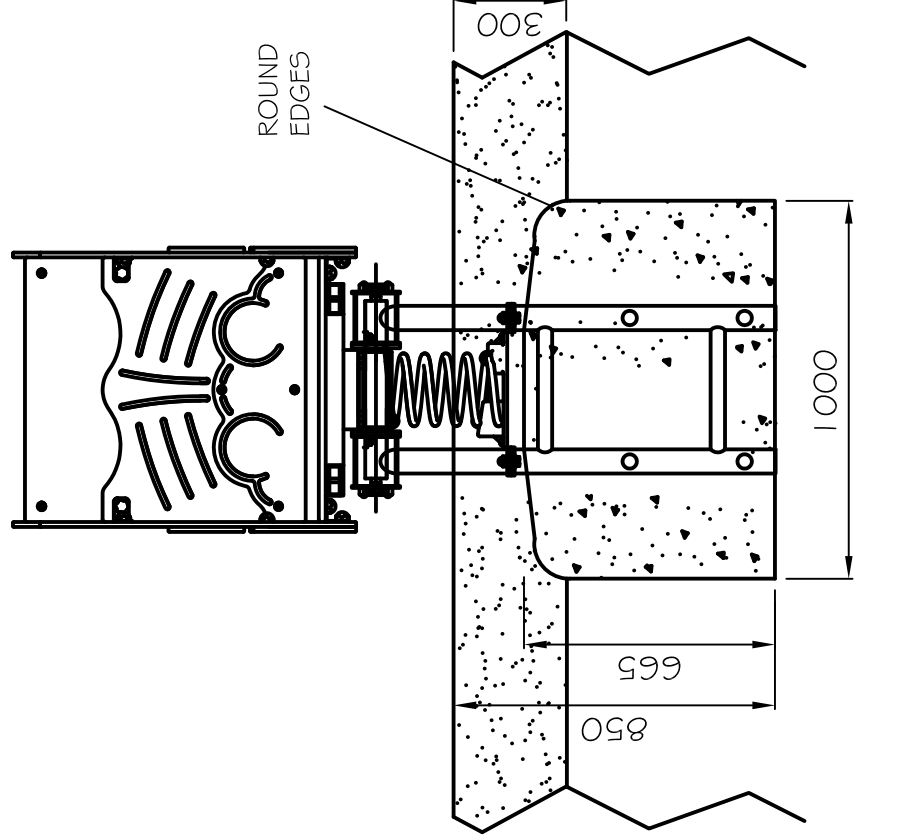
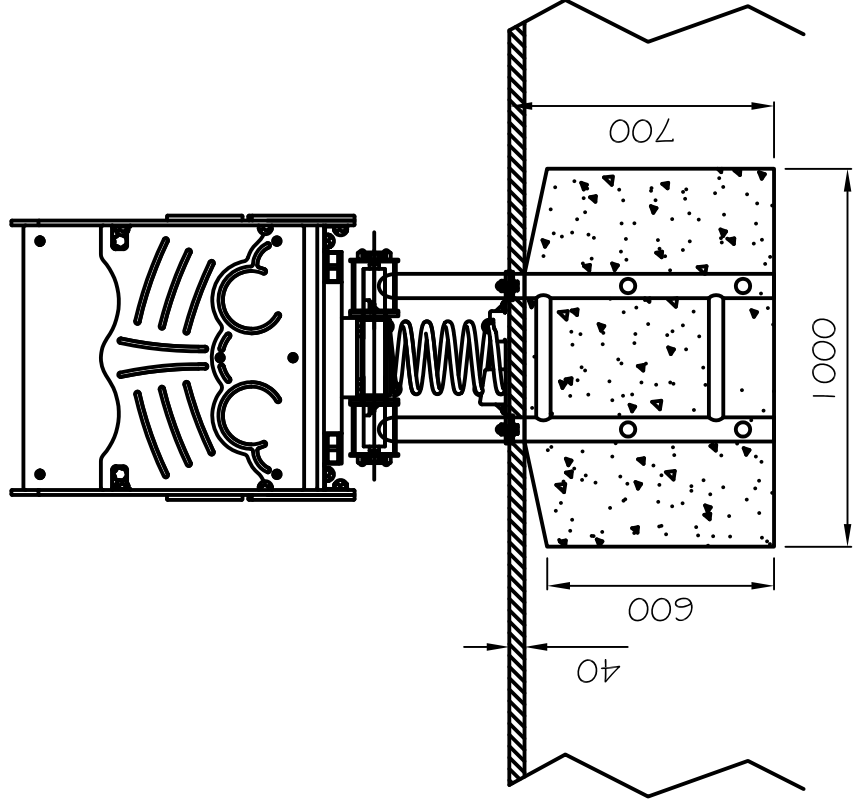
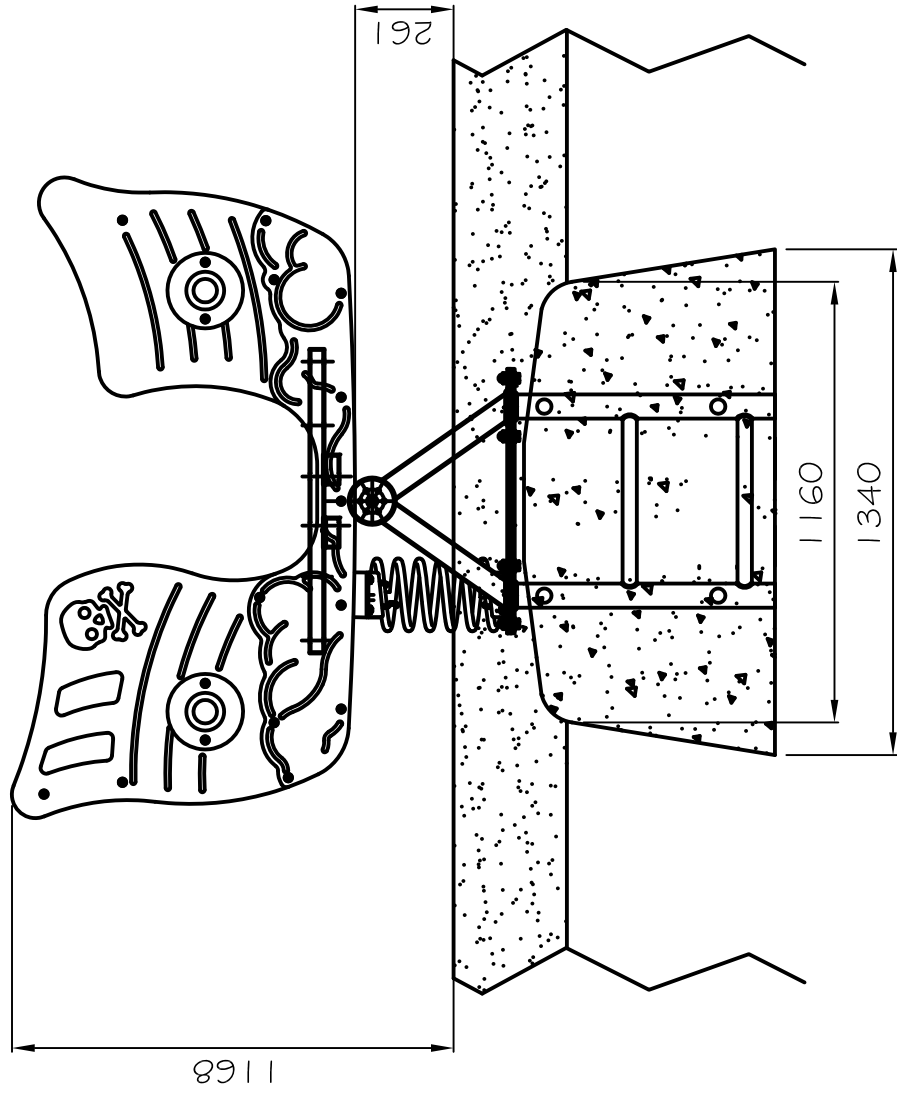
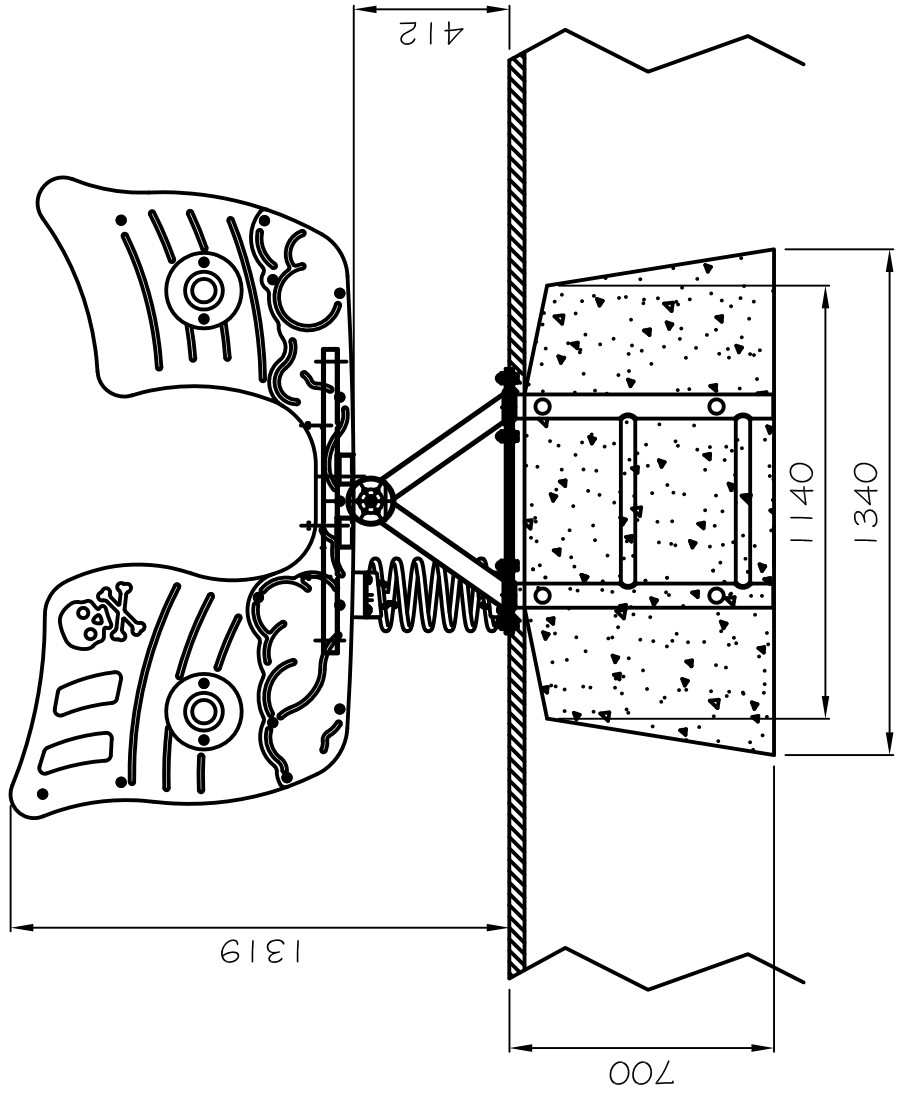
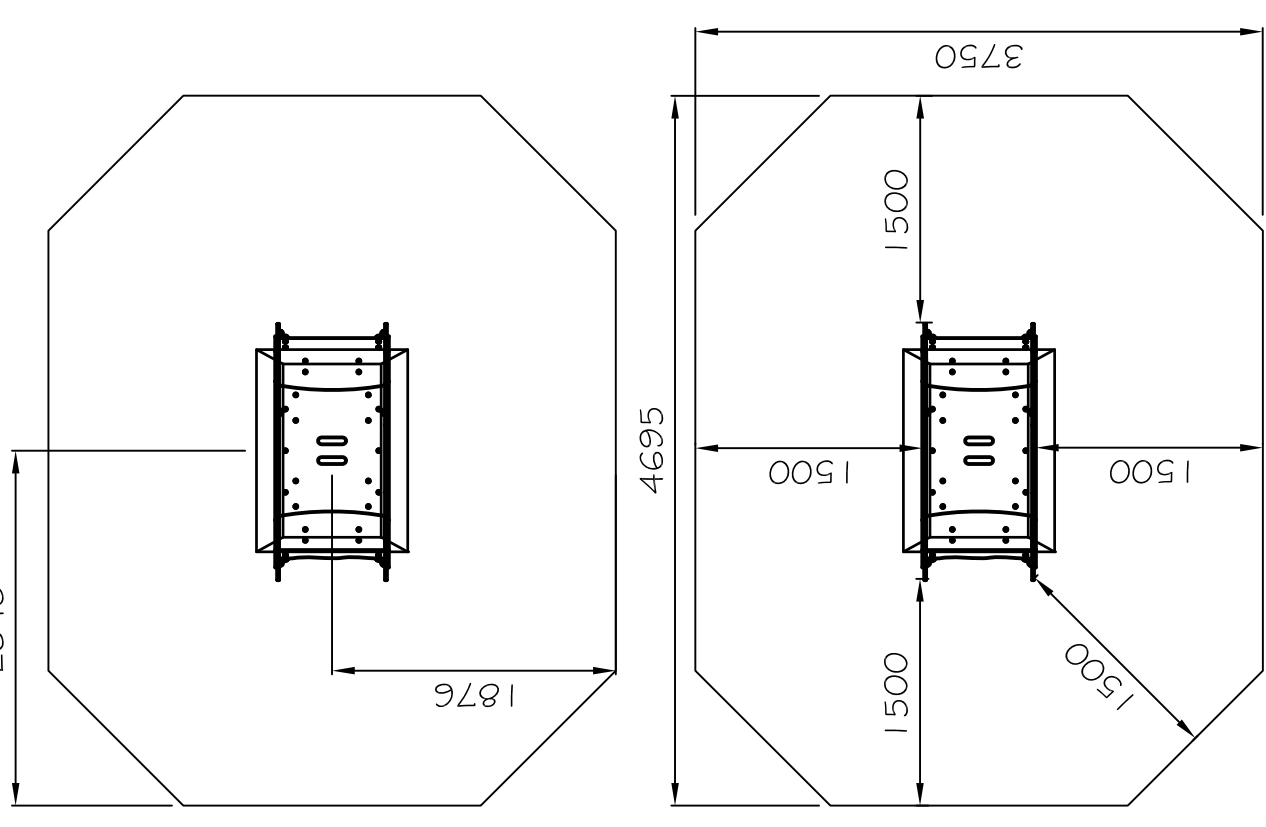


DO NOT SCALE FROM THIS DRAWING SCALE 1:20 @ A3

SCALE 1:50 @ A3



ROUND EDGES



SAFETY SURFACING TO EN 1176
 AREA 16.02m²
 PERIMETER 14.8 Lm
 HIC 1.0m

GROUND PLAN	SSB050
REV	01
DRAWN	PM
SCALE	1:20 - 1:50 @ A3
DATE	19.04.17
SAFETY SURFACE AREA	AREA 16.02m ² PERIM 14.8Lm