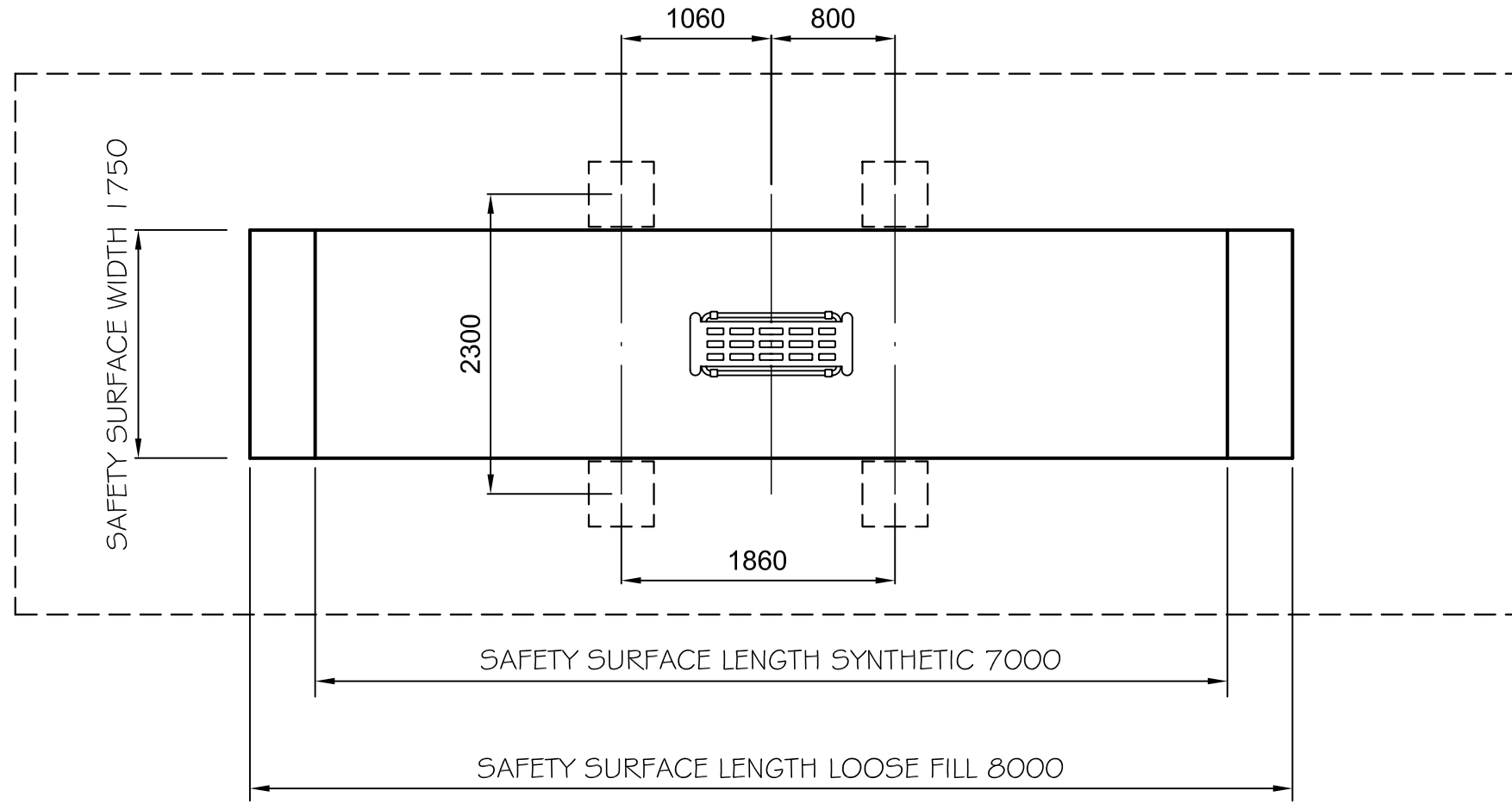


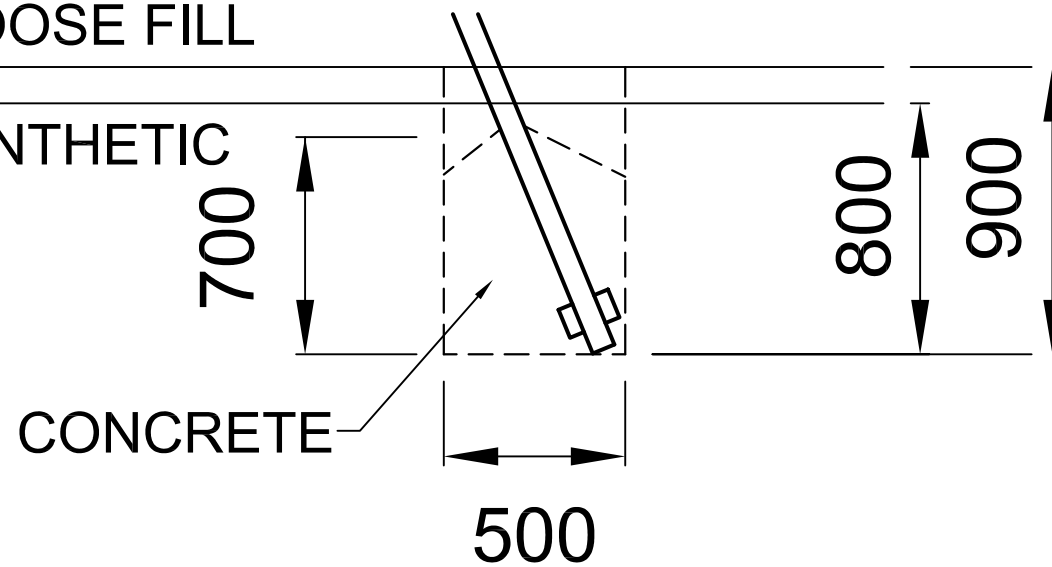
DRG No	REV
SBS081	00



RECOMMENDED MINIMUM  
USE ZONE 1.8m AT EACH  
END AND 1.2m AT EACH  
SIDE.

GROUND LEVEL LOOSE FILL

GROUND LEVEL SYNTHETIC



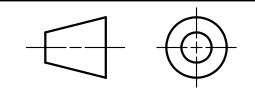
SAFETY SURFACE AREA  
12.25M2 SYNTHETIC  
14.0M2 LOOSE FILL  
HIC 1.5M

FOUNDATION HOLE DETAILS

GENERAL TOLERANCES  
UNLESS OTHERWISE STATED  
DECIMAL PLACES  
0 = ±1  
0.0 = ±0.5  
0.00 = ±0.05  
ANGULAR TOLERANCE  
±1°  
ALL WELDS TO WPS1  
WELDING SPECIFICATION  
UNLESS OTHERWISE STATED

TITLE  
**BOAT SWING  
ONE SEAT 2.4m  
PLAN**

*Good design  
for children*  
**SutcliffePlay**

REVISION	DESCRIPTION		
DRAWN BY	DFB	 FIRST ANGLE PROJECTION	
CHECKED			
SCALE	1/50	DRG No	REV
DATE	21.3.06	SBS081	00