

design
make
play

SutcliffePlay

Waggon Lane
Upton Pontefract
West Yorkshire WF9 1JS
Telephone +44 (0) 1977 653200
Facsimile +44 (0) 1977 653222
info@sutcliffeplay.co.uk
www.sutcliffeplay.co.uk



Inclusive Scooter Roundabout SIR000

Installation Instructions

SIR000

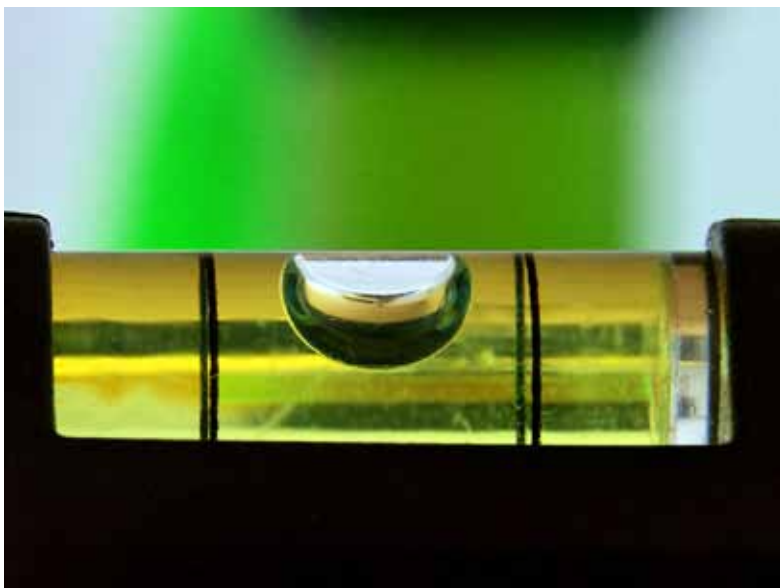
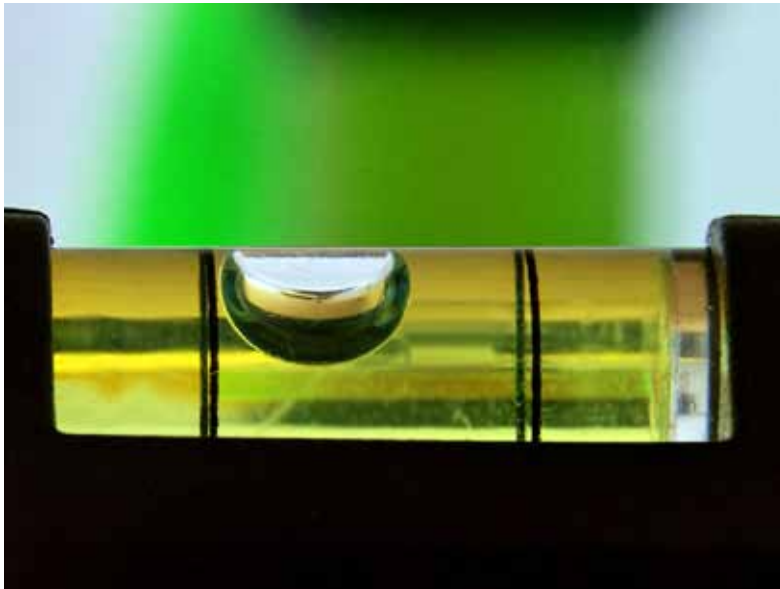
Inclusive Scooter Roundabout Installation Instructions

IMPORTANT NOTE: THIS IS A TWO STAGE INSTALLATION.

STAGE 1: CENTRAL GROUND FIXING LEVELLED AND CONCRETED.

STAGE 2: FULL ASSEMBLY AFTER CONCRETE IS FULLY SET.

Read the following pages thoroughly for detailed installation instructions.



SIR000

Inclusive Scooter Roundabout Installation Instructions

1. Check using the parts list that all components have been delivered.
2. Plan the final position of the play equipment, ensuring there is sufficient space
NB: Please consider the extent and HIC of surfacing (see surfacing plan).
AS A MOVING ITEM THE SAFETY AREA CAN NOT BE OVERLAPPED WITH OTHER SAFETY AREAS.
3. PLEASE NOTE THAT DRAINAGE IS STRONGLY RECOMMENDED (ESPECIALLY IN AREAS WITH A HIGH WATER TABLE) TO ENSURE THE VOID UNDER THE ROUNDABOUT DOES NOT FILL WITH WATER
4. Sort and identify parts before assembly, only the central ground fixing (SWD800) is required.
5. Excavate the foundation holes in accordance with the plan and play level, ensuring the intended safety surface area is level. This roundabout CANNOT BE INSTALLED ON TO SLOPING GROUND.
6. **STAGE 1** Concrete in ground fixing (SWD800) ensuring threaded plate is level and set at 815mm below intended play level.
7. **PLEASE NOTE THAT ITEM 6 IS THE FIRST STAGE IN A TWO STAGE INSTALLATION. THE OUTER RING (SIR010) SHOULD BE INSTALLED IN THE SECOND STAGE TO ENSURE THE OUTER RING CAN BE LEVELLED AND CENTRED TO THE INNER ASSEMBLY.**
8. Check the ground fixing will sit at the correct level and position as per the elevations and plans. Fill the foundation hole to the required depth with concrete. Float off upper surface to enable run-off away from ground fixing uprights.
9. Leave the bearing foundation to fully set before continuing to install (at least 2-3 days, setting times may vary).

SIR000

Inclusive Scooter Roundabout Installation Instructions

10. Secure the bearing housing (SWD925) and the inner frame (SIR003) / perimeter ring (SIR002) to the ground fixing. Then attach inner deck boards in order to set the outer support ring/ perimeter boards.
11. **STAGE 2** Centre the outer ring assembly (SIR010) around the inner assembly ensuring the gap is **constant** all the way round.
(should be 4 to 5mm MUST NOT EXCEED 8mm).
12. **ONLY** when the outer deck assembly is fully aligned and leveled proceed to concrete the outer ring support (SIR010).
13. Fix seat Assembly, scooter assembly and wheelchair stops to inner deck boards
(Do not tighten bolts until all bolts are threaded on to captive nuts on the inner frame)
14. Check roundabout is running freely and the perimeter gap is consistent and less than 8mm)
15. Finally re tighten all bolts and fix bolt caps were required.

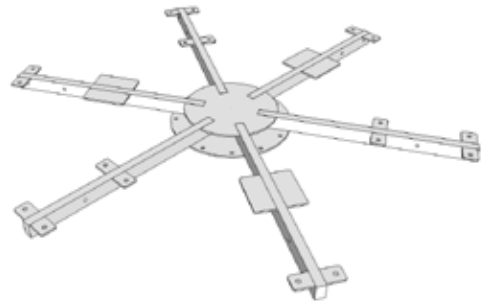
NB: During installation, care must be taken to prevent hazards to children. If you are at all unsure or have any questions, please contact the contracts department immediately for their assistance and advice.

SIR000

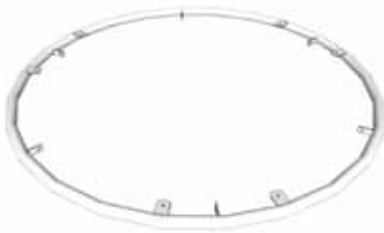
Inclusive Scooter Roundabout Parts List



Central Ground fixing x 1
(SWD800)



Inner Frame x 1
(SIR003GRY)



Perimeter Ring x 1
(SIR002GRY)



Bearing & Spindle
Assembly x 1
(SWD925)



Wheelchair Bump
Stops x 4
(PZS0800)



Deck Board (A)
(SIR005)



Deck Board (B)
(SIR006)



Deck Board (C)
(SIR007)

SIR000

Inclusive Scooter Roundabout Parts List



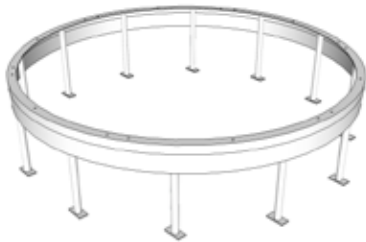
Seat Frame x1
(SIR011GRY)



Seat Support x1
(SIR013GRY)



HPL Seat x 1
(SIR008)



Outer Ring Support
Frame x 1
(SIR010GRY)



Outer Ring
Decks x 6
(SIR009)



Fixing Kit x1
(SIR000F)



Scooter Handlebars x 1
(SIR016GRY + CZS003)



Scooter Board x 1
(SIR019)



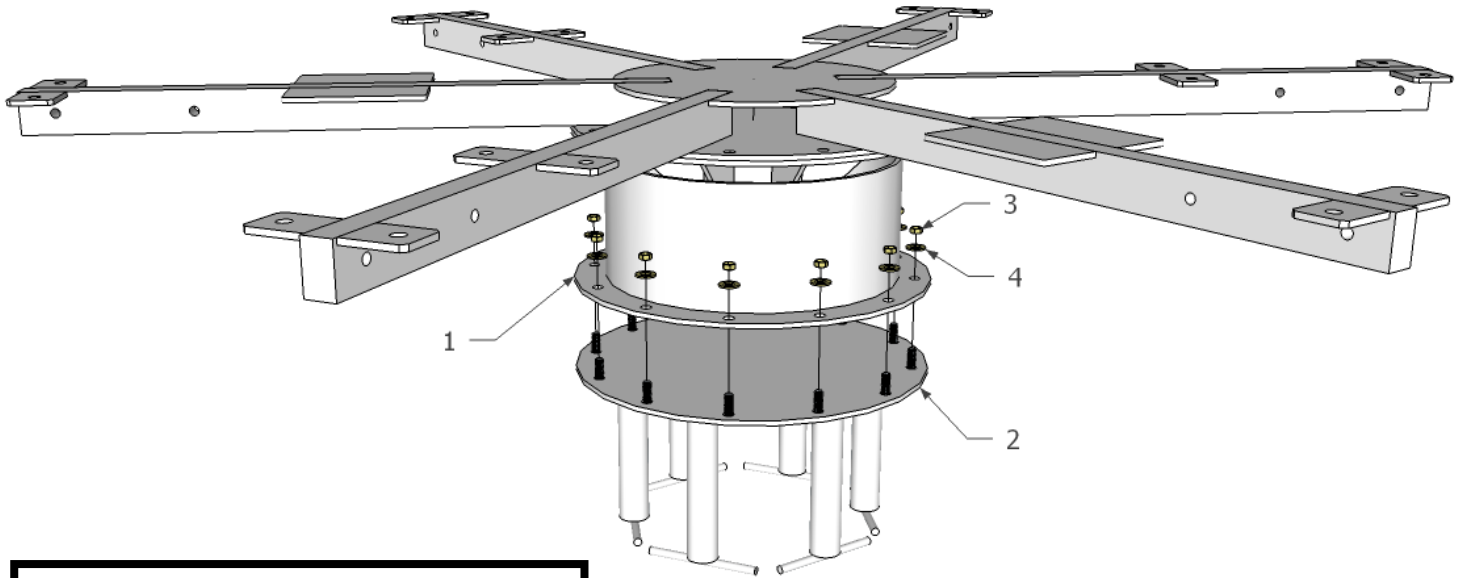
Scooter Toe Board x 1
(SIR026)



Scooter Spacer Board x 1
(SIR015)

SIR000

Inclusive Scooter Roundabout General Assembly of Parts



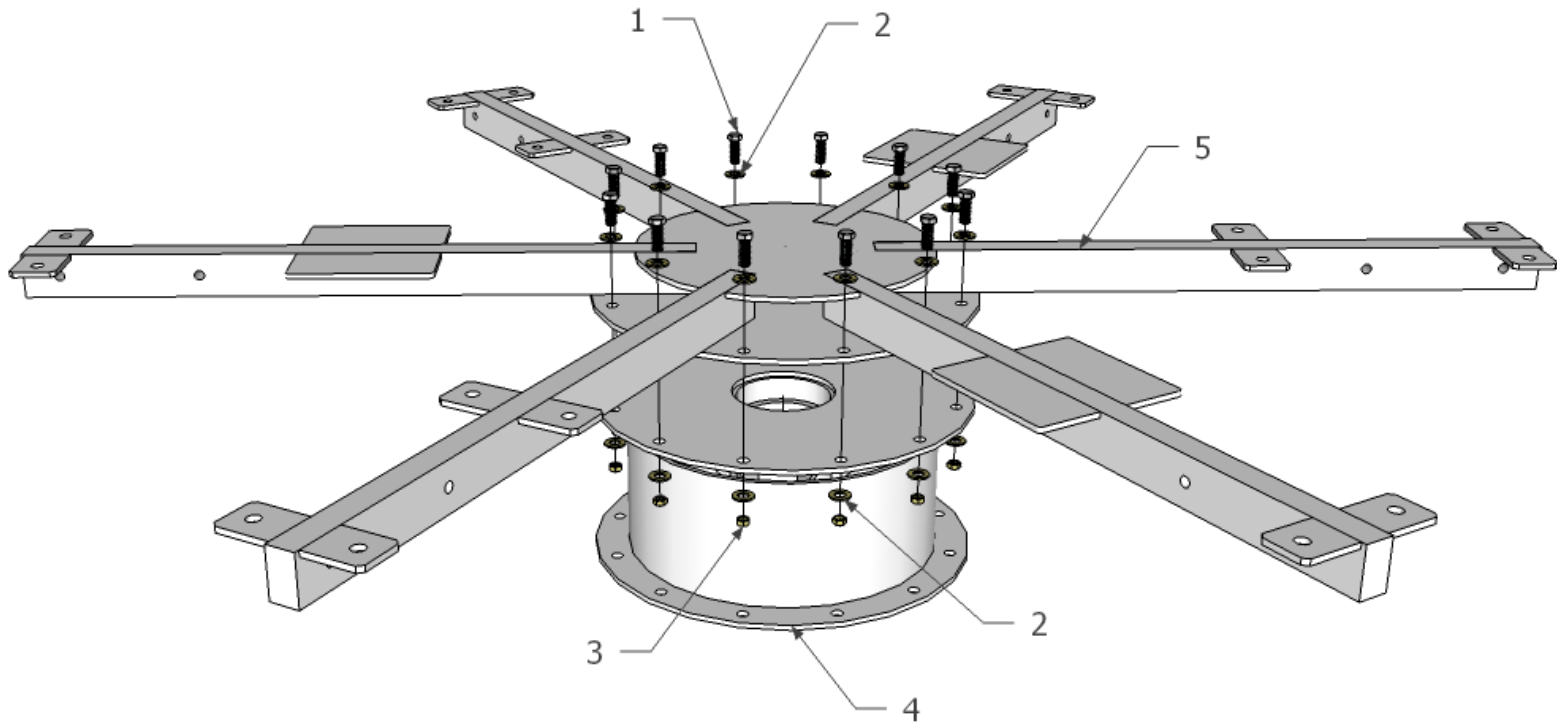
Ground Fixing
SWD800

PLEASE NOTE
INSTALL GROUND FIXING (SWD800) FIRST AND ALLOW CONCRETE TO FULLY SET BEFORE ADDING THE SWD925, SIR003, SIR002 AND THE DECK BOARDS SIR005/6/7 TO COMPLETE THE INNER ASSEMBLY
ONLY THEN SHOULD THE OUTER RING (SIR010) & OUTER RING DECKS x6 (SIR009) BE ASSEMBLED AND ALIGNED TO THE INNER ASSEMBLY

	Code	Description	Qty
1	SWD925	Bearing Assembly	1
2	SWD800	Ground Fixing	1
3	LKN330	M12 Nyloc Nut	12
4	WSR050	M12 Plain Washer	12

SIR000

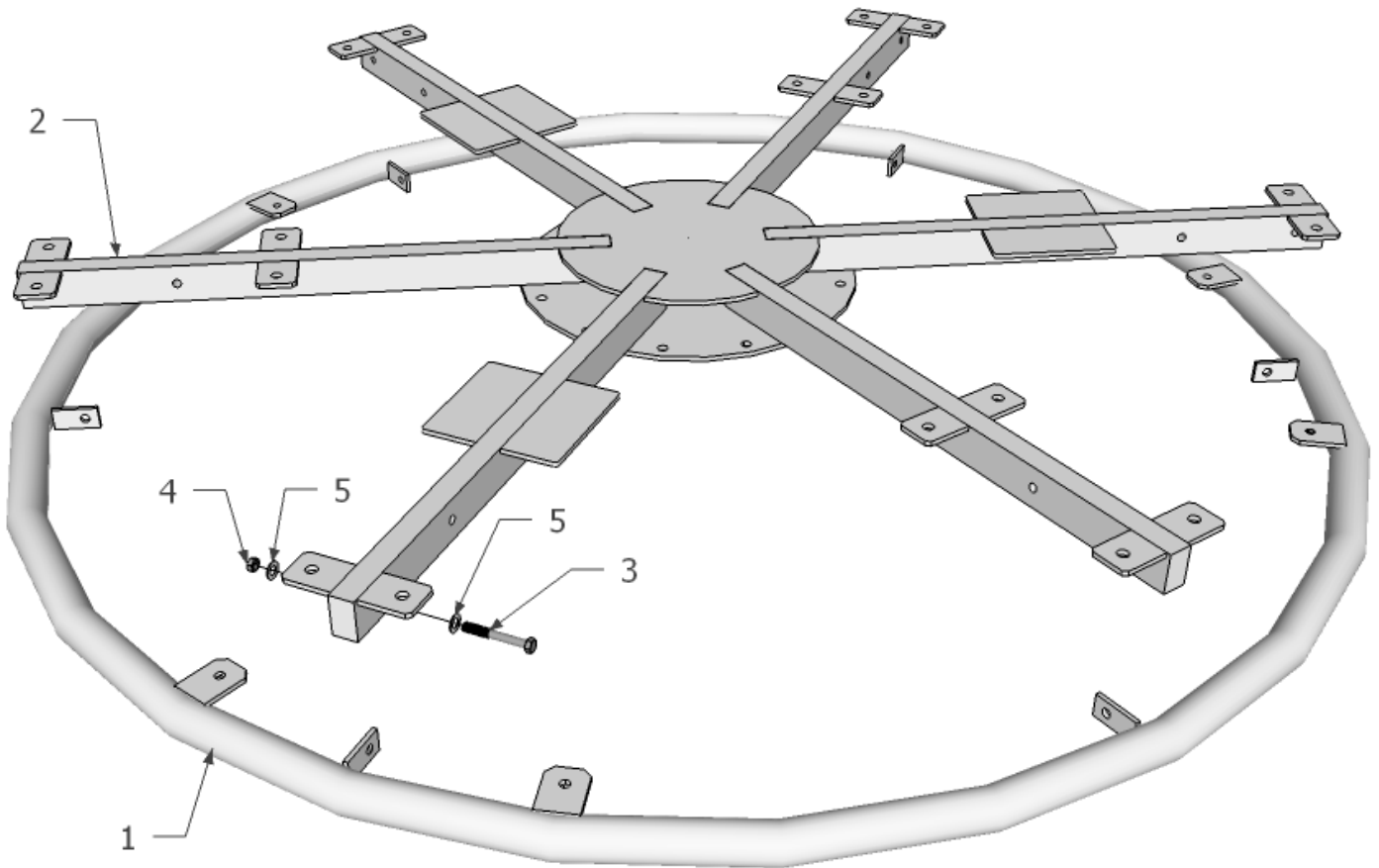
Inclusive Scooter Roundabout General Assembly of Parts



	Code	Description	Qty
1	HSS610	M12 x 30 Hex Head	12
2	WSR050	M12 Plain Washer	24
3	LKN330	M12 Nyloc Nut	12
4	SWD925	Bearing Housing Assembly	1
5	SIR003GRY	Inner Frame	1

SIR000

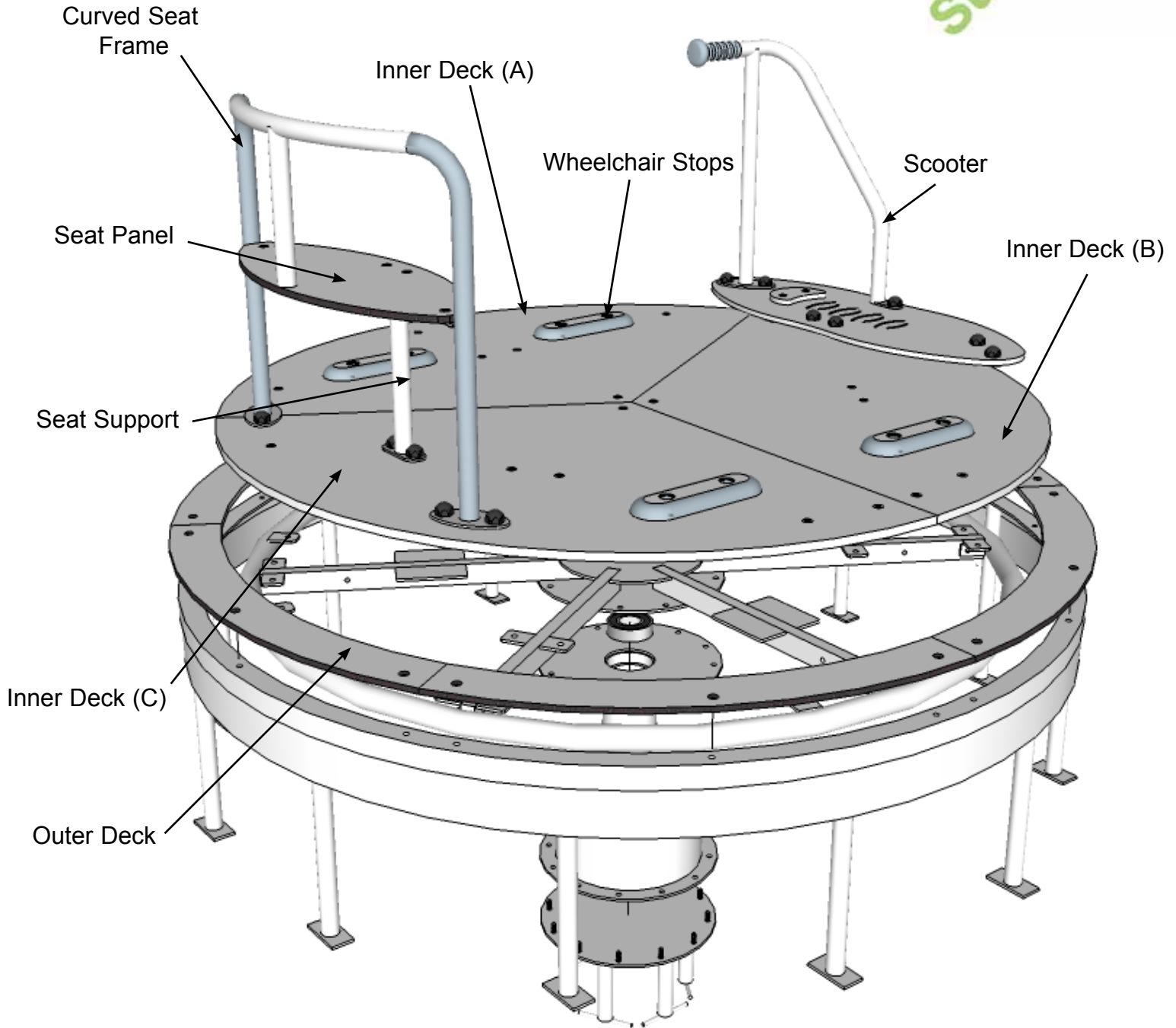
Inclusive Scooter Roundabout General Assembly of Parts



	Code	Description	Qty
1	SIR002GRY	Top Ring	1
2	SIR003GRY	Centre Frame	1
3	HHB518	M10 x 50 Hex Head Bolt	6
4	LKN320	M10 Nyloc Nut	6
5	WSR040	M10 Plain Washer	12

SIR000

Inclusive Scooter Roundabout General Assembly of Parts

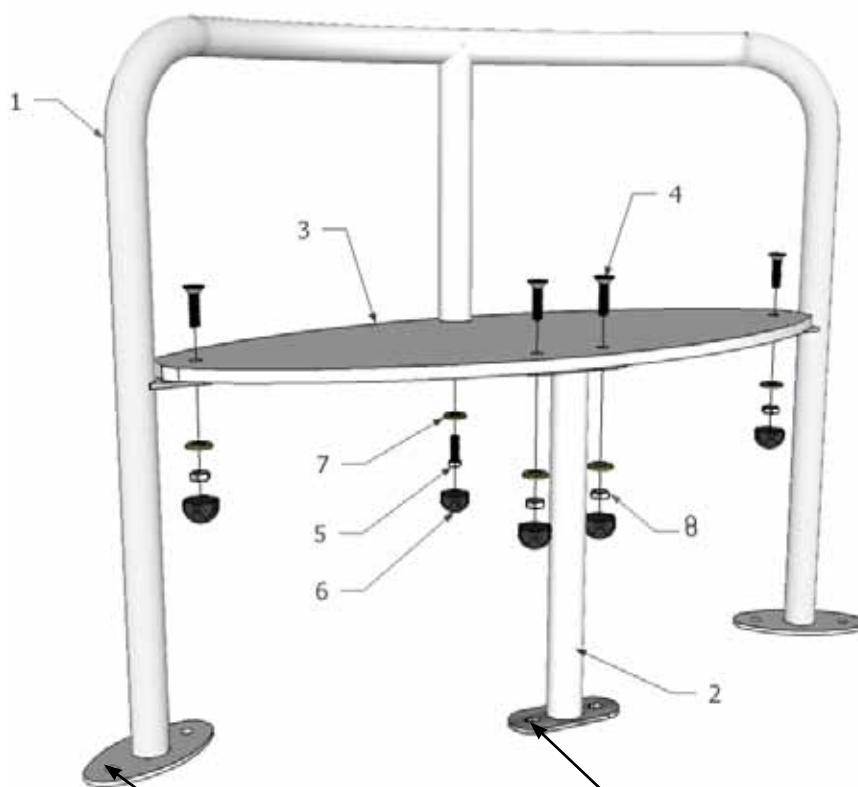


Code	Description	Qty
SIR011GRY	Curved Seat Frame	1
SIR008	Seat Panel	1
SIR013GRY	Seat Support	1
SIR005	Inner Deck (A)	1
SIR006	Inner Deck (B)	1
SIR007	Inner Deck (C)	1
PZS0800	Wheelchair Stops	4
SIR009	Outer Deck Panel	6

SIR000

Inclusive Scooter Roundabout General Assembly of Parts

	Code	Description	Qty
1	SIR011GRY	Seat Frame	1
2	SIR013GRY	Seat Support	1
3	SIR008	Seat Panel	1
4	MCS321	M10 x 35 Countersunk Screw	4
5	HSS510	M10 x 30 Hex Head Screw	1
6	DZS005	M10 Nut Cover	5
7	DZS009	M10 Cover Washer	5
8	LKN320	M10 Nyloc Nut	4

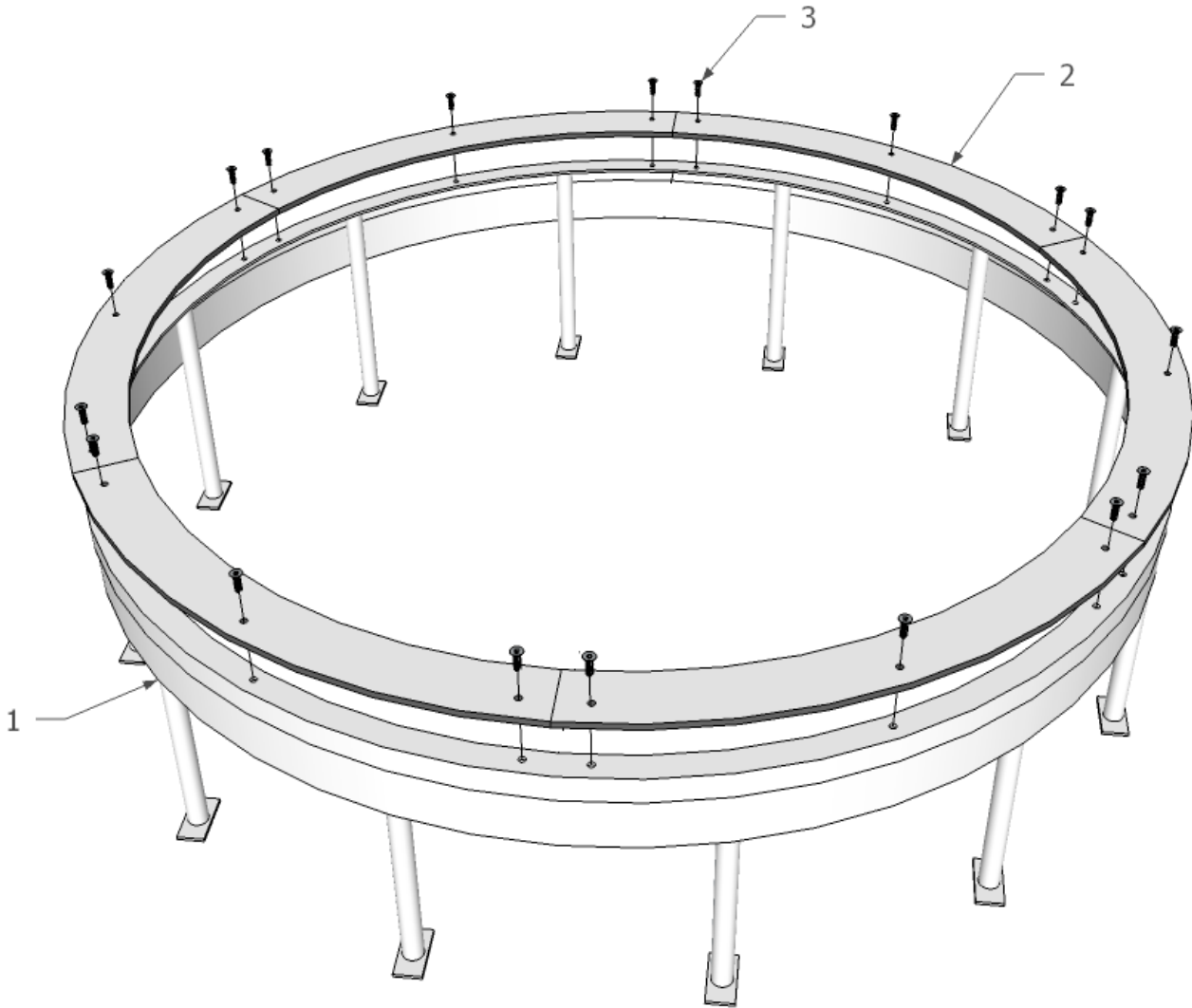


Code	Qty
HHB518	x 2
DZS005	x 2
DZS009	x 2

Code	Qty
HSS514	x 2
DZS005	x 2
DZS009	x 2

SIR000

Inclusive Scooter Roundabout General Assembly of Parts

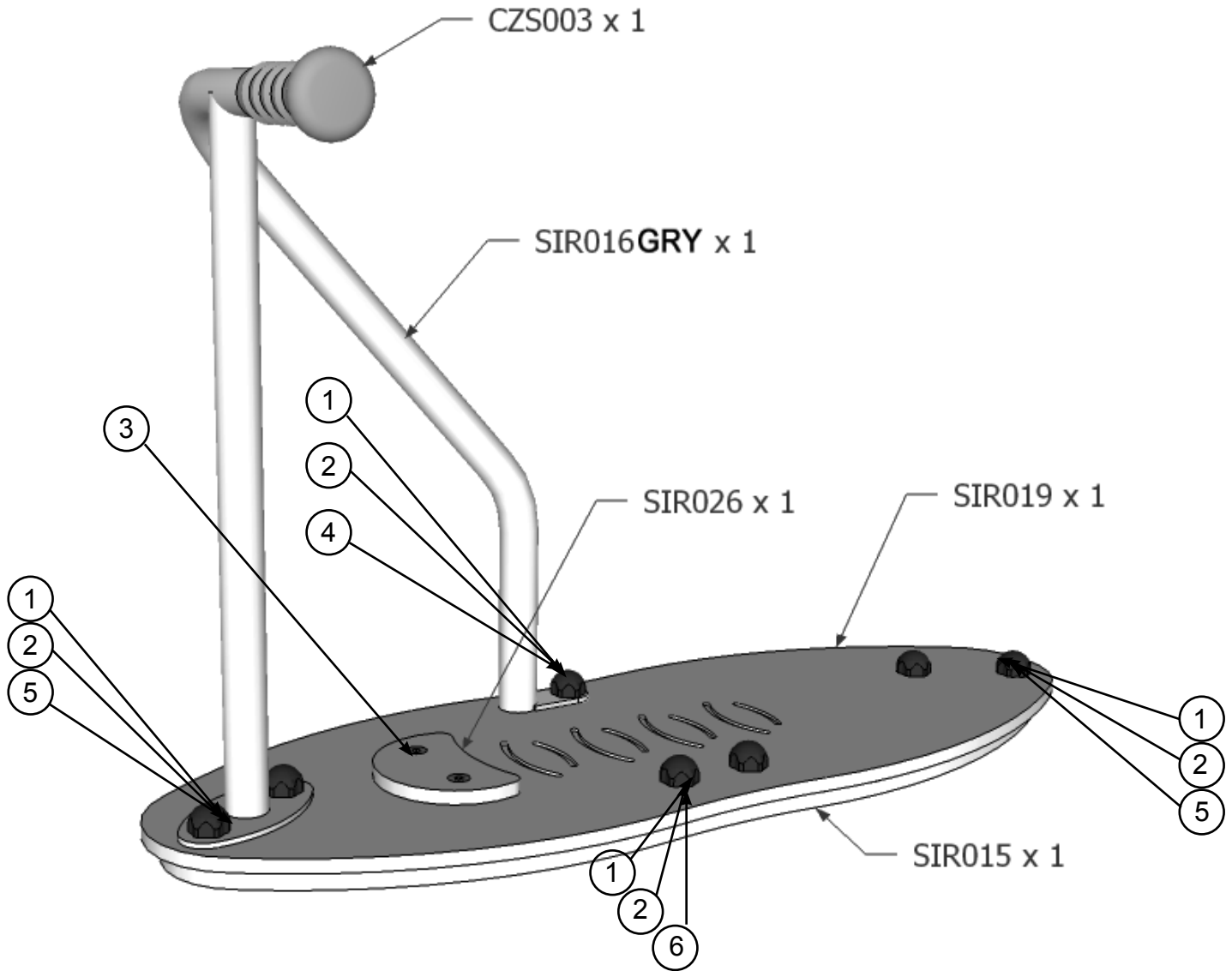


	Code	Description	Qty
1	SIR010GRY	Outer Frame	1
2	SIR009	Outer Deck Panel	6
3	MCS321	M10 x 35 Countersunk	18

SIR000

Inclusive Scooter Roundabout
General Assembly of Parts

Scooter Assembly



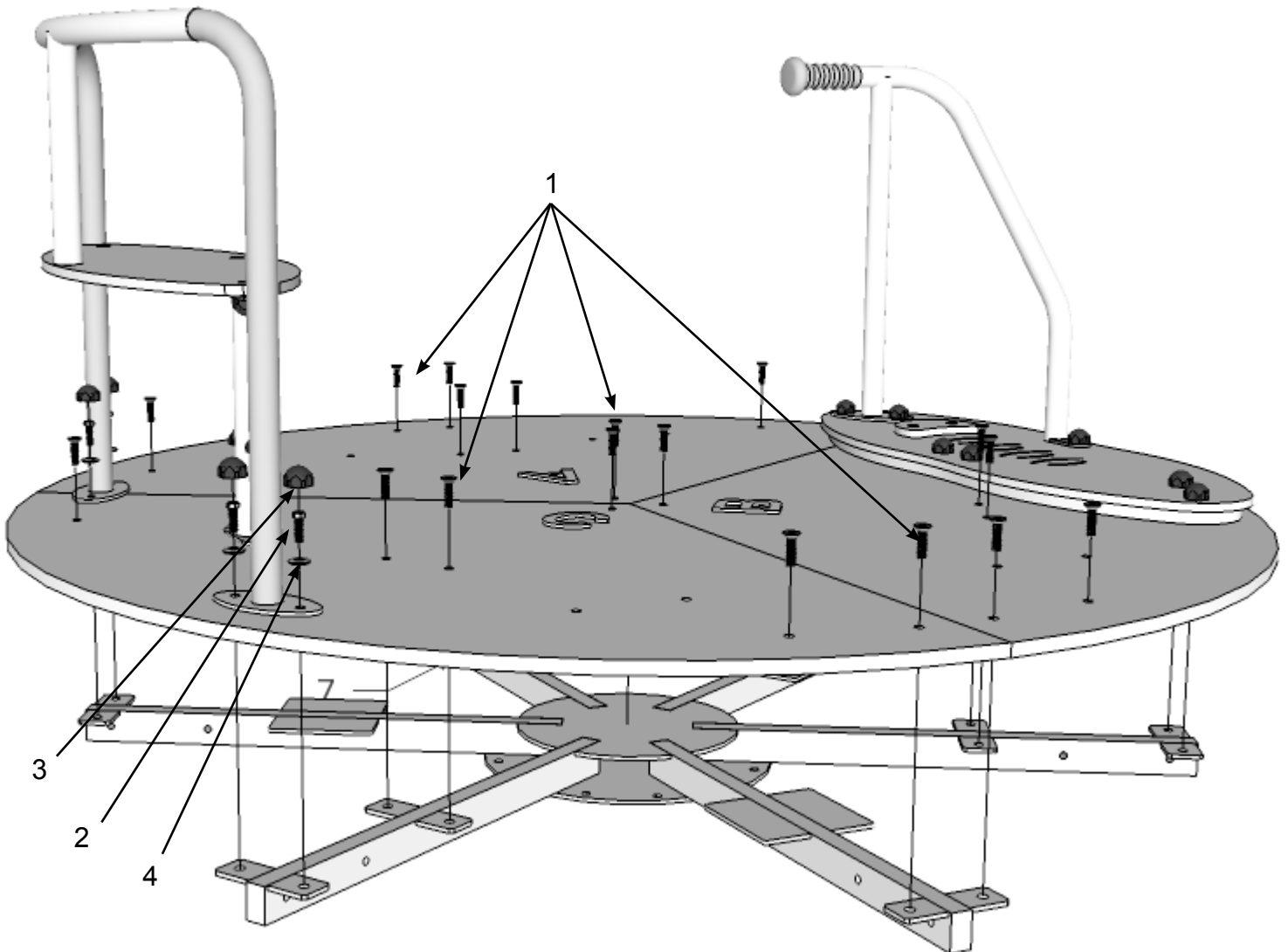
- | |
|---|
| 1.- DZS005 - M10 NUT COVER |
| 2.- DZS009 - M10 STEPPED COVER WASHER |
| 3.- MCS331 - M10 x 45 COUNTERSUNK SCREW |
| 4.- HSS514 - M10 x 40 HEX SET SCREW |
| 5.- HHB530 - M10 x 80 HEX HEAD BOLT |
| 6.- HSS522 - M10 x 60 HEX HEAD BOLT |

Code	Description	Qty
SIR019	Scooter Board	1
SIR026	Foot Stop	1
SIR015	Spacer Board	1
SIR016GRY	Scooter Handle Bars	1
CZS003	Hand Hold	1

SIR000

Inclusive Scooter Roundabout General Assembly of Parts

design
make
play
SutcliffePlay



	Code	Description	Qty
1	MCS321	M10 x 35 Countersunk Screw	18
2	HSS518	M10 x 50 Hex Head Screw	4
3	DZS005	M10 Nut Cover	4
4	DZS009	M10 Cover Washer	4

SIR000

Inclusive Scooter Roundabout Maintenance Instructions

NB: The warranty is invalidated if these instructions are not followed.
All wood needs annual inspection and retreatment where required.

Recommended Regular Inspection and Maintenance

	Interval Days				
	7	14	28	56	365
Check stability of structure, tighten connections if required.	<input type="checkbox"/>	<input type="checkbox"/>	<input type="checkbox"/>	<input checked="" type="checkbox"/>	<input type="checkbox"/>
Check rotating and pivot points for wear and smooth running, lubricate or replace if required.	<input type="checkbox"/>	<input type="checkbox"/>	<input type="checkbox"/>	<input checked="" type="checkbox"/>	<input type="checkbox"/>
Check all painted elements for damage, rub down and repaint or replace as required.	<input type="checkbox"/>	<input type="checkbox"/>	<input type="checkbox"/>	<input checked="" type="checkbox"/>	<input type="checkbox"/>
Check all outer deck boards for alignment wear and damage, replace if required.	<input type="checkbox"/>	<input type="checkbox"/>	<input checked="" type="checkbox"/>	<input type="checkbox"/>	<input type="checkbox"/>
Check seat panels for wear and/or damage, replace if required.	<input type="checkbox"/>	<input type="checkbox"/>	<input type="checkbox"/>	<input checked="" type="checkbox"/>	<input type="checkbox"/>
Check integrity of deck boards ensure gap of less than 8mm is maintained between outer ring and central decks	<input type="checkbox"/>	<input type="checkbox"/>	<input checked="" type="checkbox"/>	<input type="checkbox"/>	<input type="checkbox"/>
Check Deck board edges and countersunk holes re paint if required	<input type="checkbox"/>	<input type="checkbox"/>	<input type="checkbox"/>	<input checked="" type="checkbox"/>	<input type="checkbox"/>
Check rubber wheelchair stops for wear/ damage replace as necessary	<input type="checkbox"/>	<input type="checkbox"/>	<input type="checkbox"/>	<input type="checkbox"/>	<input checked="" type="checkbox"/>
Check rubber safety surfaces for damage and poor performance, repair or replace if required.	<input type="checkbox"/>	<input type="checkbox"/>	<input checked="" type="checkbox"/>	<input type="checkbox"/>	<input type="checkbox"/>
Check void under roundabout is draining adequately	<input type="checkbox"/>	<input type="checkbox"/>	<input type="checkbox"/>	<input type="checkbox"/>	<input checked="" type="checkbox"/>

Disposal Instructions

All components should be broken down into categories of:-

- 1 **Mild Steel** - all 38mm Ø tube, step/ring climbers, welded bar, swing frames, deck frames.
- 2 **Stainless Steel** - all slides, mirror panels.
- 3 **Aluminium** - all Playzone, Mission and Toddlerzone posts.
- 4 **Galvanised Steel** - all chains and Teenzone posts.
- 5 **Moulded Rubber Products without steel inserts** - Caps and edge details.
- 6 **Timber** - all natural timber, plywood, and MDF panels.

Wherever possible these materials should be taken to specialist recycling organisations and recycled. In some cases where composite materials are used, then disposal at land fill sites is the only alternative such as:

- 7 **Moulded Rubber Products encasing steel inserts** - all Swing Seats, Deck Tops, Bump stops.
- 8 **High Pressure Laminate** - all Toddlerzone, Playzone, Minizone, Teenzone and Themed panels.
- 9 **Steel Core Polypropylene Rope** - all Scramble Nets, Space Nets, Playzone/Toddlerzone Ropes.