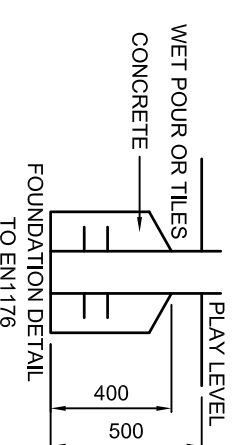
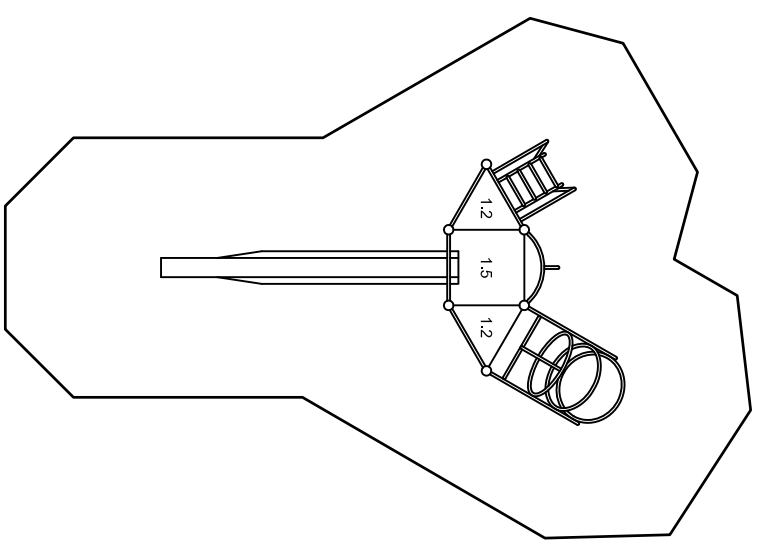
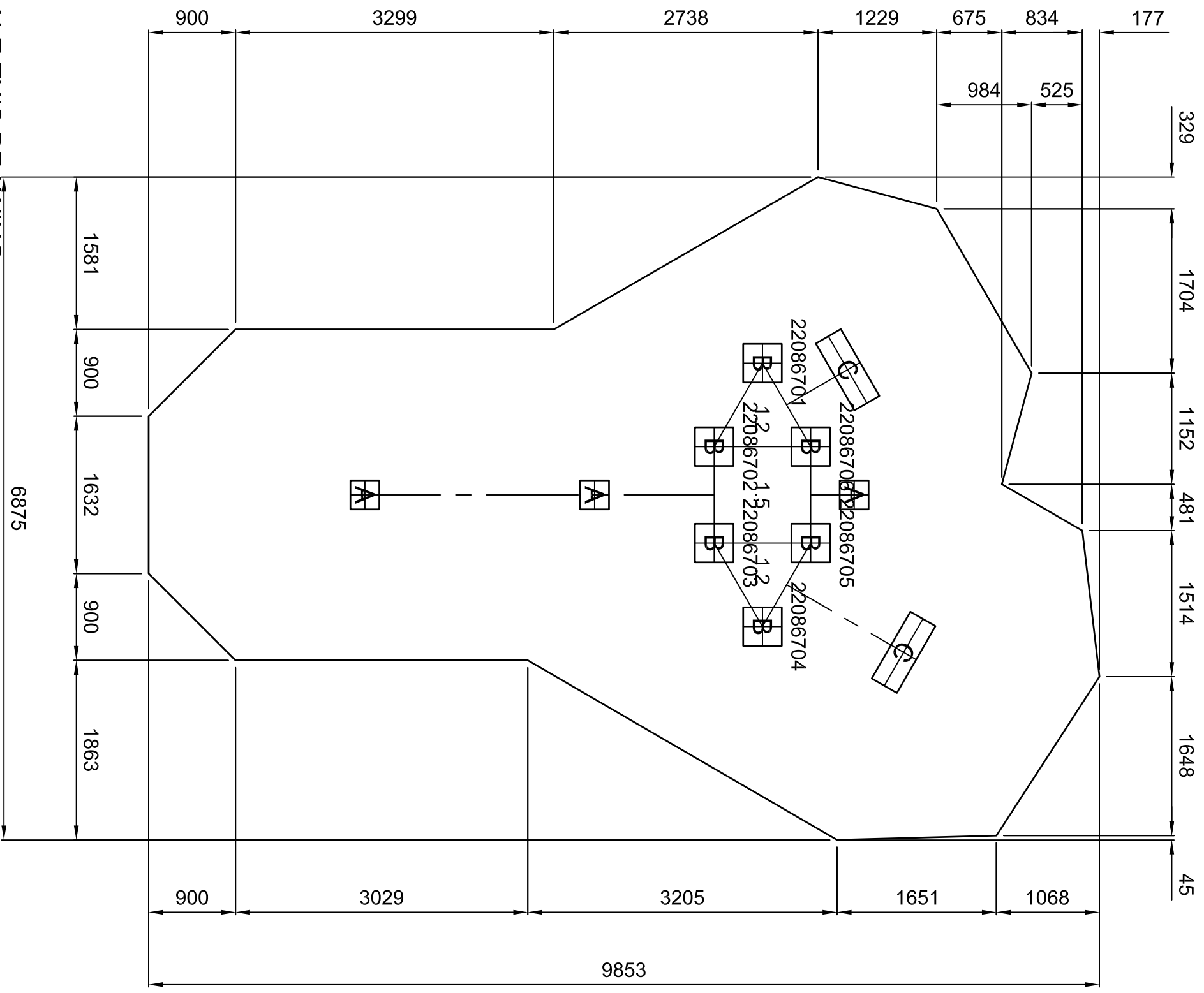


SAFETY SURFACING
AREA 42.6M²
PERIMETER 27.9M
HIC 1.5M

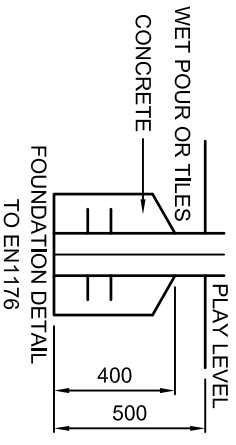


DO NOT SCALE THIS DRAWING
SCALE 1:50 WHEN PRINTED ON A3

GROUND PLAN	PZW867(1)
REV	00
DRAWN	IM
SCALE	1:50 @ A3
DATE	27/03/17
SAFETY SURFACE AREA	
HOLE A	300x300x800 DEEP
HOLE B	400x400x500 DEEP
HOLE C	300x800x800 DEEP



SAFETY SURFACING
 AREA 42.6M²
 PERIMETER 27.9M
 HIC 1.5M



GROUND PLAN	PZW867(2)
REV	00
DRAWN	IM
SCALE	1:50 @ A3
DATE	27/03/17
SAFETY SURFACE AREA	
HOLE A	300x300x800 DEEP
HOLE B	400x400x500 DEEP
HOLE C	300x800x800 DEEP

DO NOT SCALE THIS DRAWING
 SCALE 1:50 WHEN PRINTED ON A3