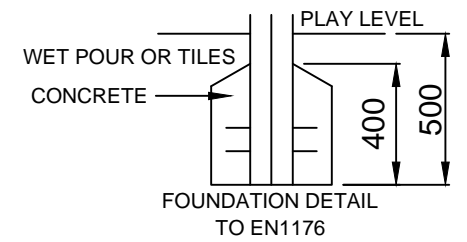
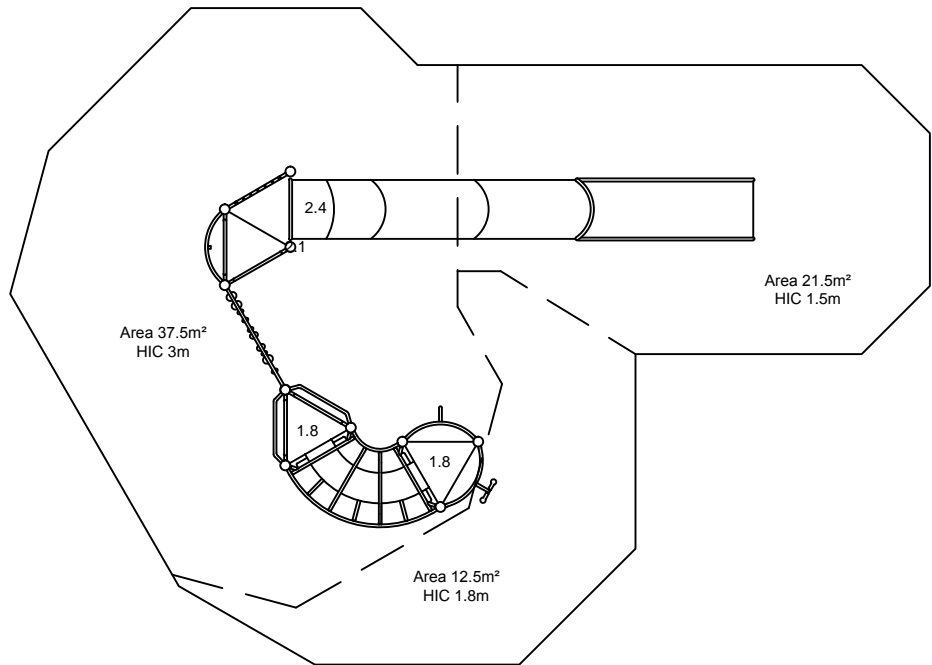
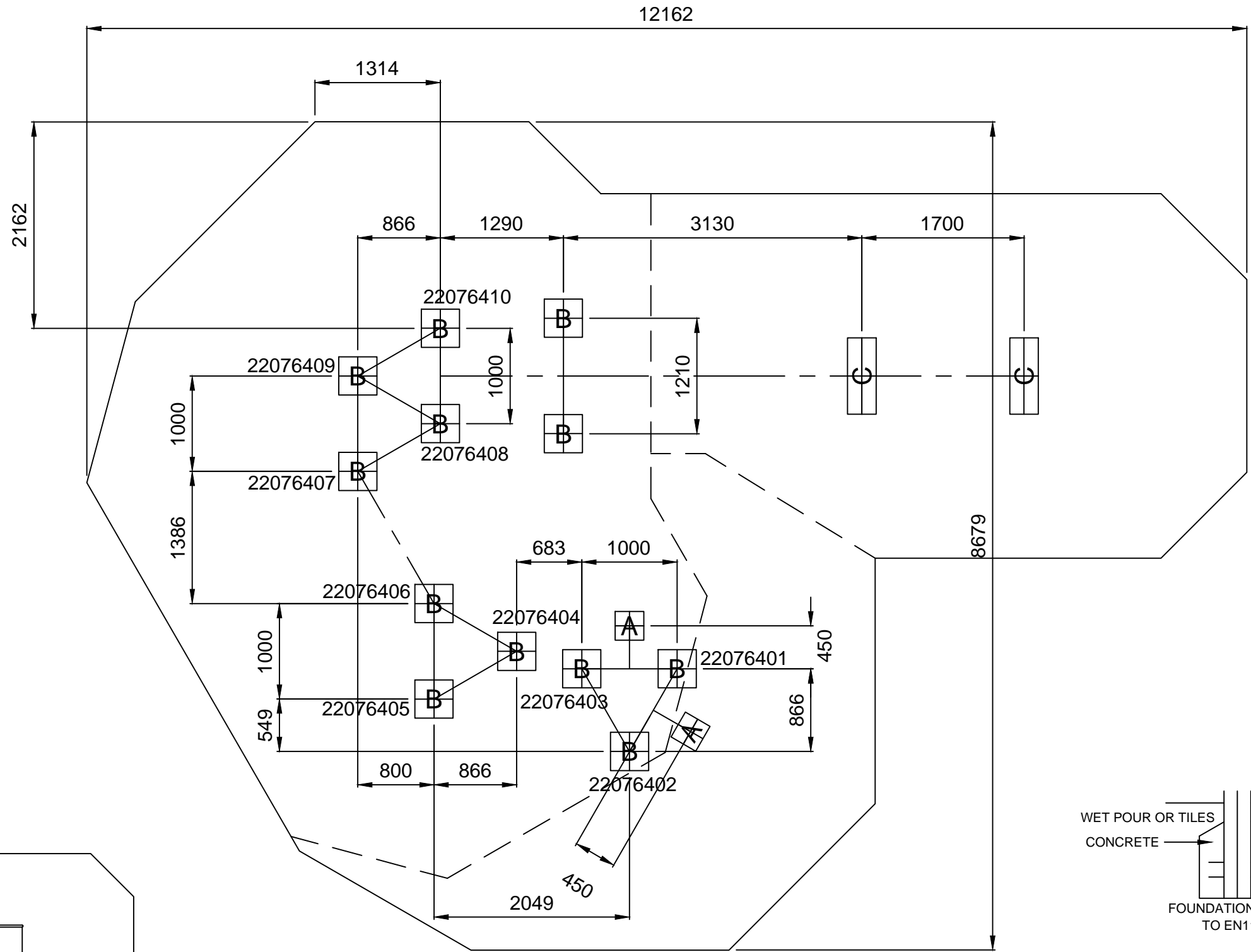


Good design
for children
SutcliffePlay



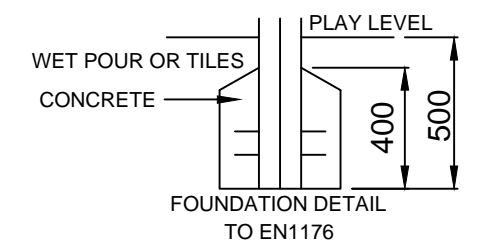
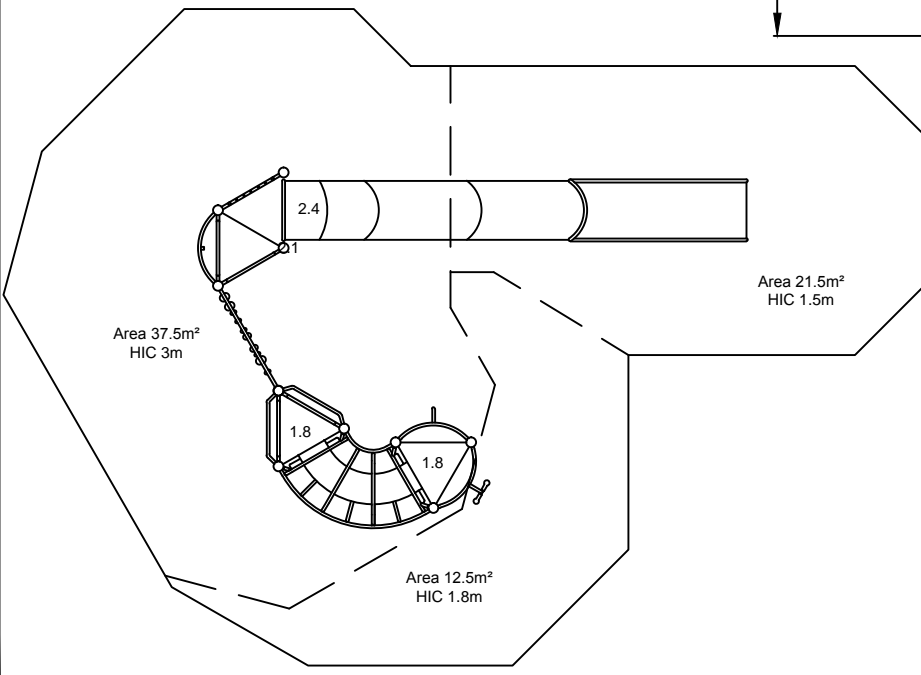
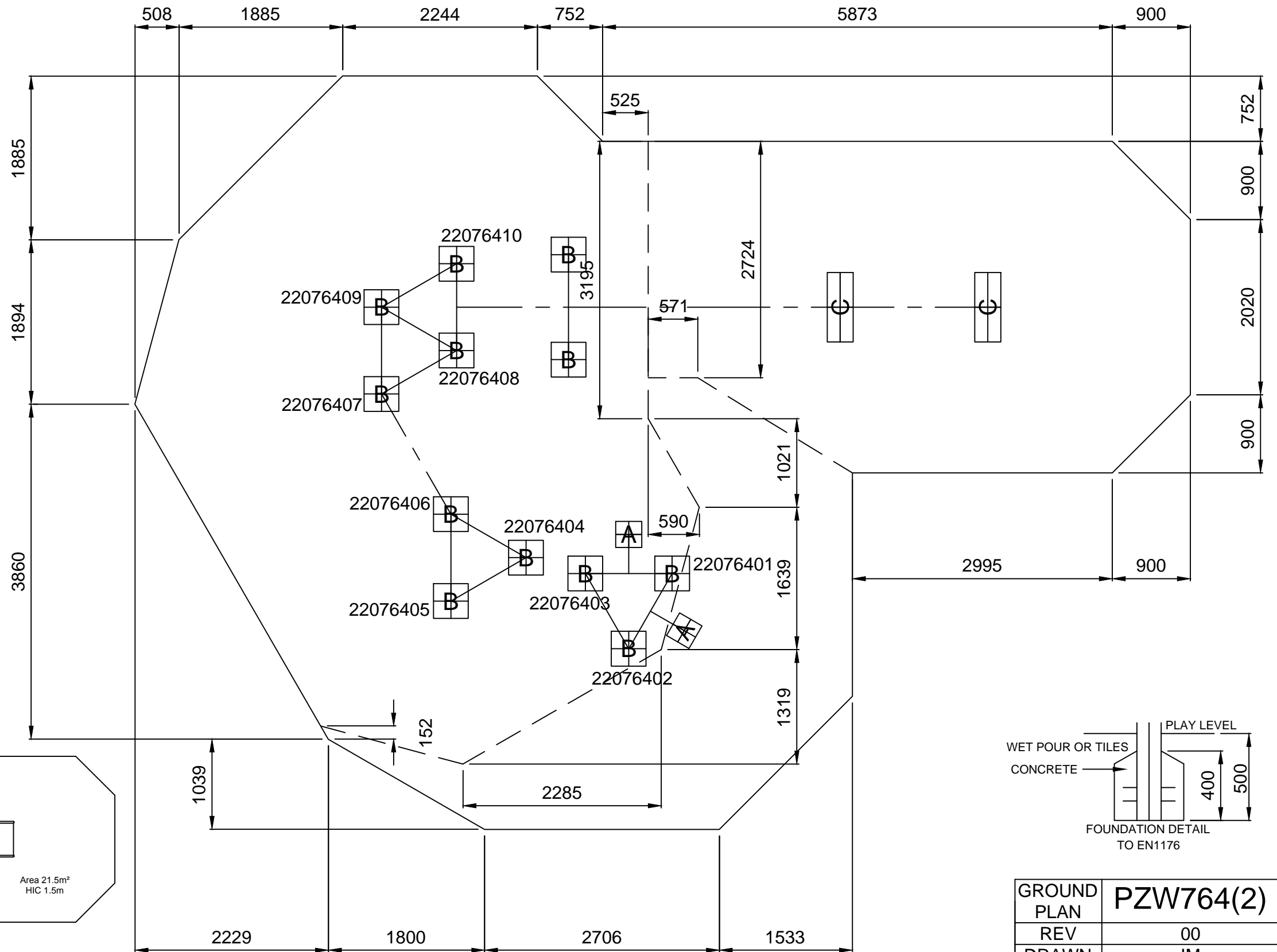
SAFETY SURFACING

AREA 71.5m²
PERIMETER 35.5m
HIC 2.4m 37.5m²
HIC 1.8m 12.5m²
HIC 1.5m 21.5m²

**DO NOT SCALE THIS DRAWING
SCALE 1:50 WHEN PRINTED ON A3**

| | |
|-------------------------|------------------|
| GROUND PLAN | PZW764(1) |
| REV | 00 |
| DRAWN | IM |
| SCALE | 1:50 |
| DATE | 09.09.08 |
| SAFETY SURFACE AREA | |
| HOLE A 300x300x800 DEEP | |
| HOLE B 400x400x500 DEEP | |
| HOLE C 300x800x800 DEEP | |

Good design
for children
SutcliffePlay



SAFETY SURFACING
 AREA 71.5m²
 PERIMETER 35.5m
 HIC 2.4m 37.5m²
 HIC 1.8m 12.5m²
 HIC 1.5m 21.5m²

DO NOT SCALE THIS DRAWING
SCALE 1:50 WHEN PRINTED ON A3

| | |
|---------------------|------------------|
| GROUND PLAN | PZW764(2) |
| REV | 00 |
| DRAWN | IM |
| SCALE | 1:50 |
| DATE | 09.09.08 |
| SAFETY SURFACE AREA | |
| HOLE A | 300x300x800 DEEP |
| HOLE B | 400x400x500 DEEP |
| HOLE C | 300x800x800 DEEP |