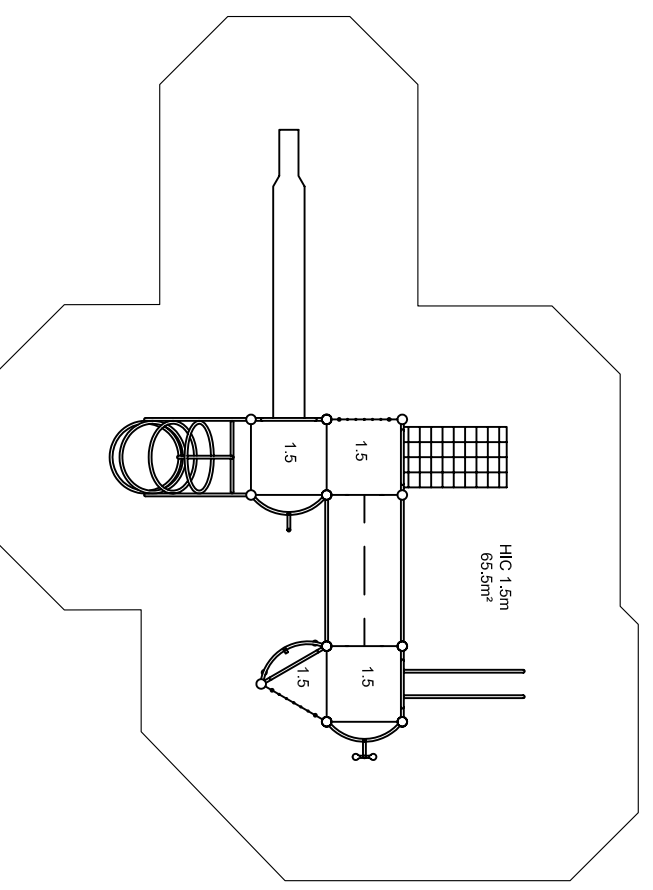


PLAN SCALE 1:100

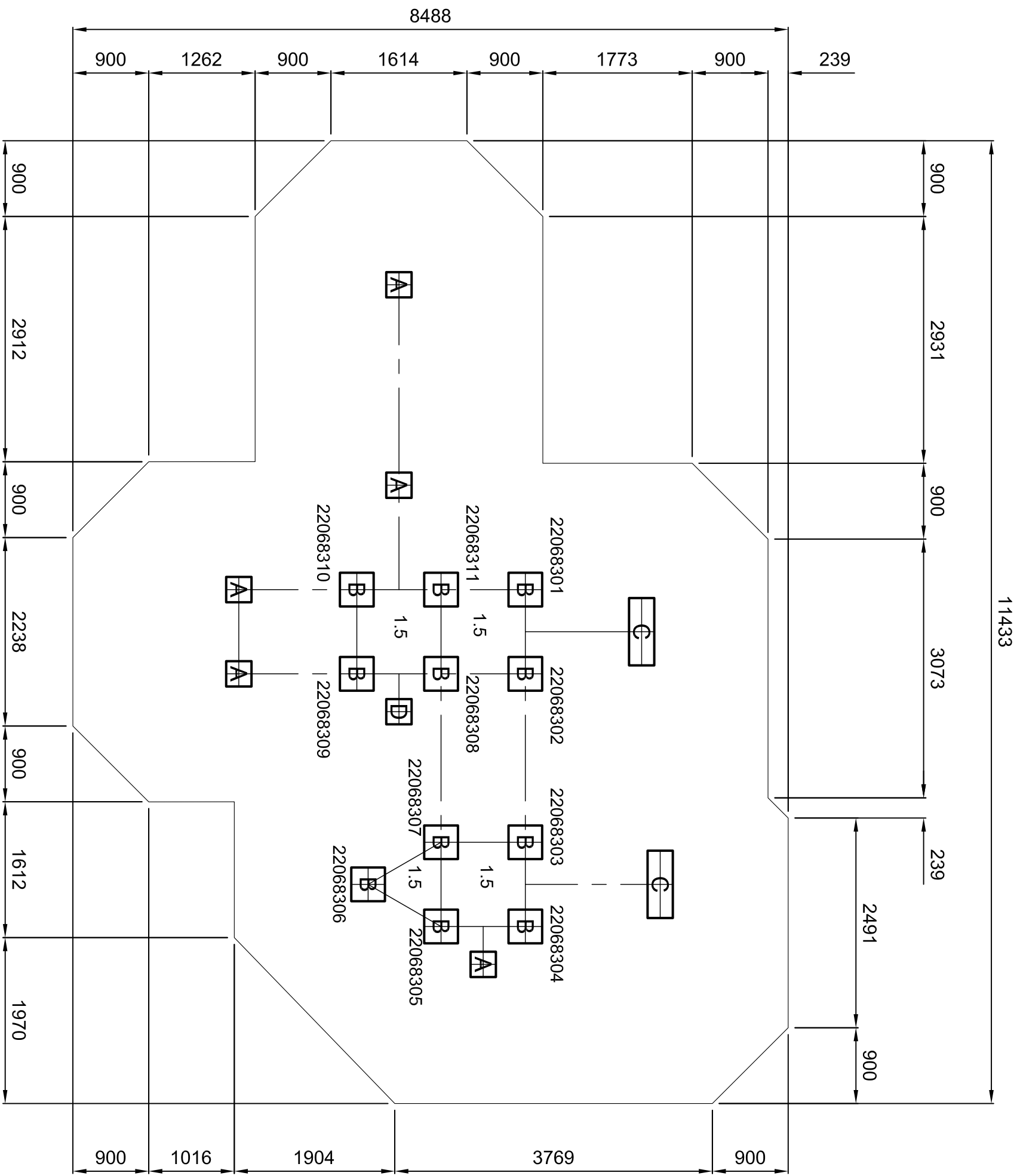
SAFETY SURFACING
REQUIREMENTS TO EN 1176
PERIMETER 35M
HIC 1.5M
TOTAL AREA 65.5M²

DO NOT SCALE THIS DRAWING
SCALE 1:50 WHEN PRINTED ON A3

GROUND PLAN	PZW683(1)
REV	02
DRAWN	JPC
SCALE	1:50 @ A3
DATE	23/06/05
SAFETY SURFACE AREA	
HOLE A	300x300x800 DEEP
HOLE B	400x400x500 DEEP
HOLE C	300x800x800 DEEP
HOLE D	300x300x950 DEEP



PLAN SCALE 1:100



SAFETY SURFACING
REQUIREMENTS TO EN 1176
PERIMETER 35M
HIC 1.5M
TOTAL AREA 65.5M²

DO NOT SCALE THIS DRAWING
SCALE 1:50 WHEN PRINTED ON A3

GROUND PLAN	PZW683(2)
REV	02
DRAWN	JPC
SCALE	1:50 @ A3
DATE	23/06/05
SAFETY SURFACE AREA	
HOLE A	300x300x800 DEEP
HOLE B	400x400x500 DEEP
HOLE C	300x800x800 DEEP
HOLE D	300x300x950 DEEP