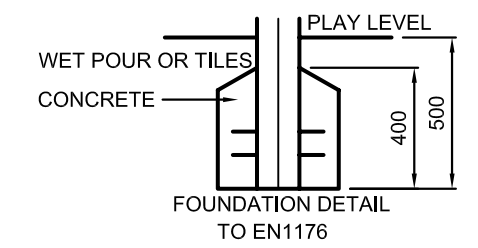


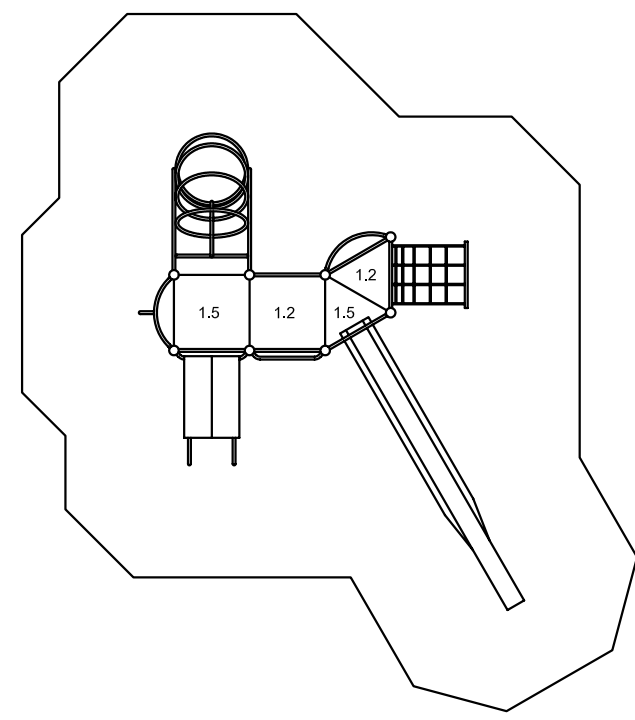
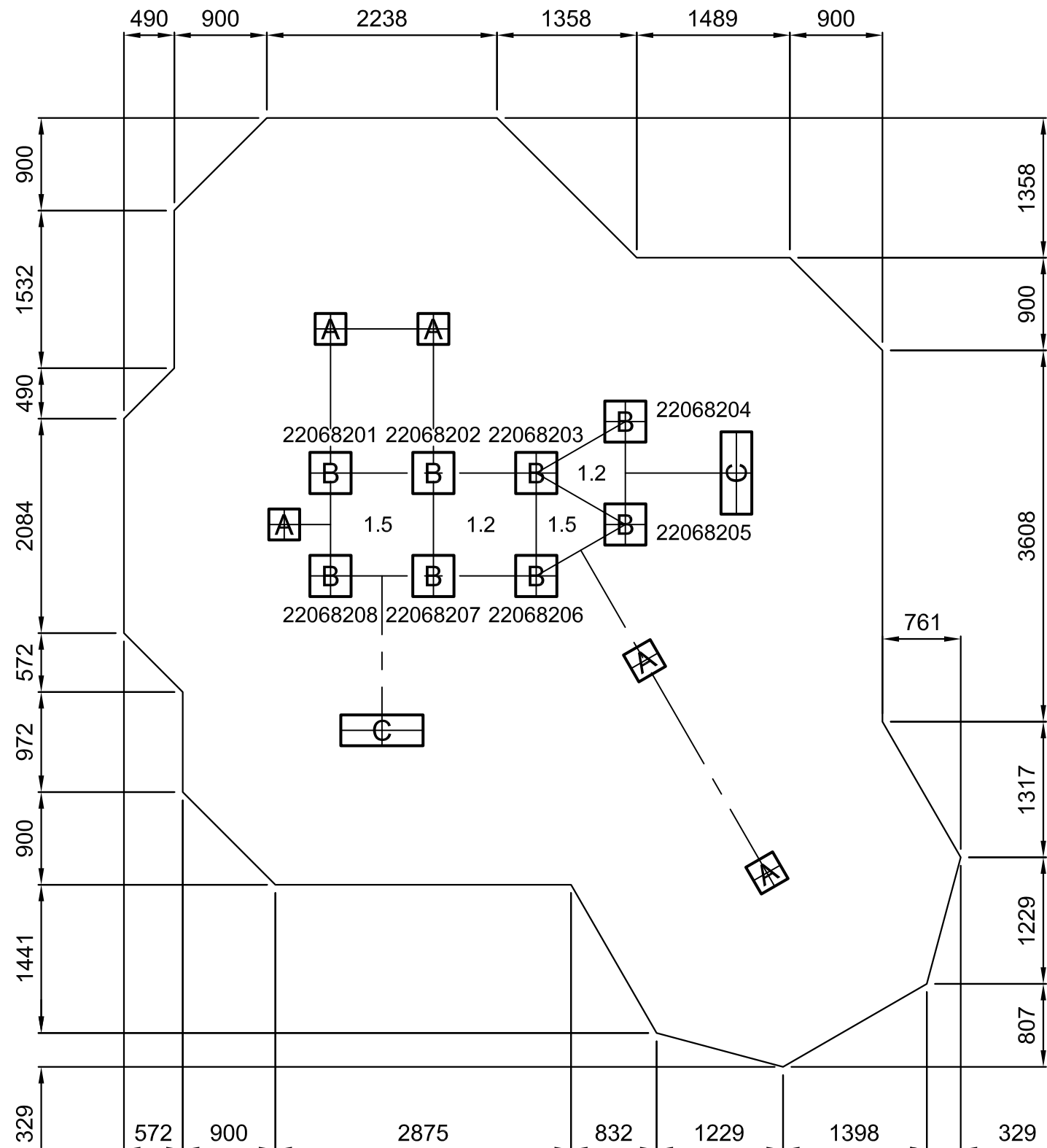
PLAN SCALE 1:100



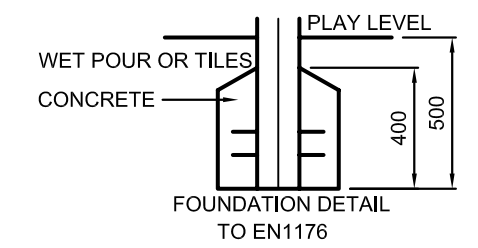
SAFETY SURFACING
REQUIREMENTS TO EN 1176
PERIMETER 29.5M
HIC 1.5M - 52.5M²

GROUND PLAN	PZW682(1)
REV	02
DRAWN	JPC
SCALE	1:50 @ A3
DATE	31/05/06
SAFETY SURFACE AREA	
HOLE A 300x300x800 DEEP	
HOLE B 400x400x500 DEEP	
HOLE C 300x800x800 DEEP	

DO NOT SCALE THIS DRAWING
SCALE 1:50 WHEN PRINTED ON A3



PLAN SCALE 1:100



SAFETY SURFACING
REQUIREMENTS TO EN 1176
PERIMETER 29.5M
HIC 1.5M - 52.5M²

GROUND PLAN	PZW682(2)
REV	02
DRAWN	JPC
SCALE	1:50 @ A3
DATE	31/05/06
SAFETY SURFACE AREA	
HOLE A 300x300x800 DEEP	
HOLE B 400x400x500 DEEP	
HOLE C 300x800x800 DEEP	

DO NOT SCALE THIS DRAWING
SCALE 1:50 WHEN PRINTED ON A3