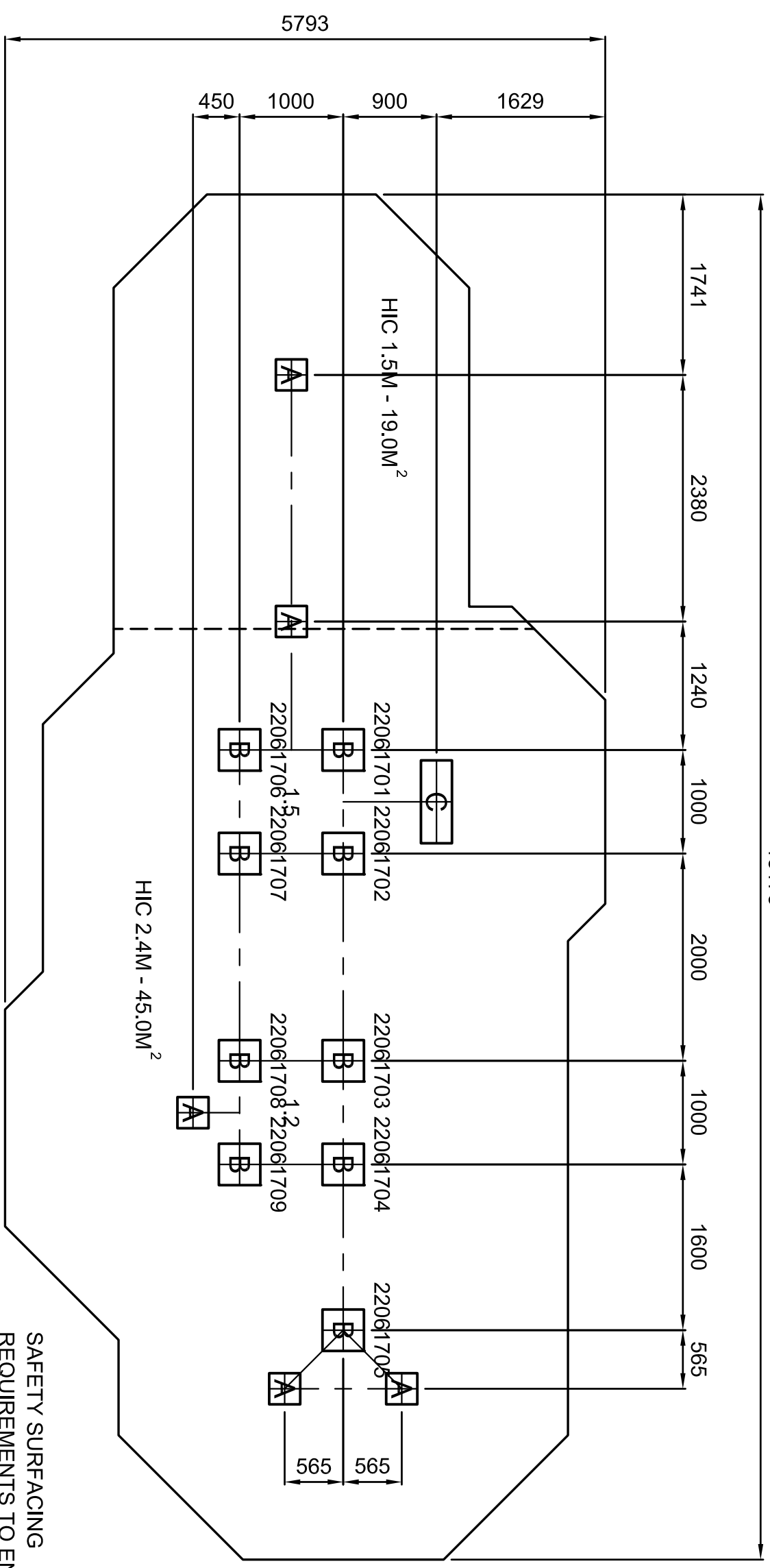
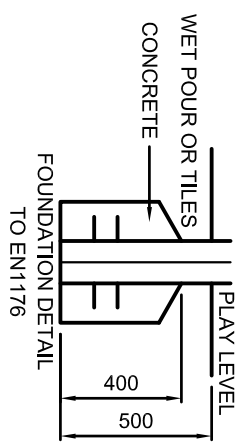


PLAN SCALE 1:100

13175



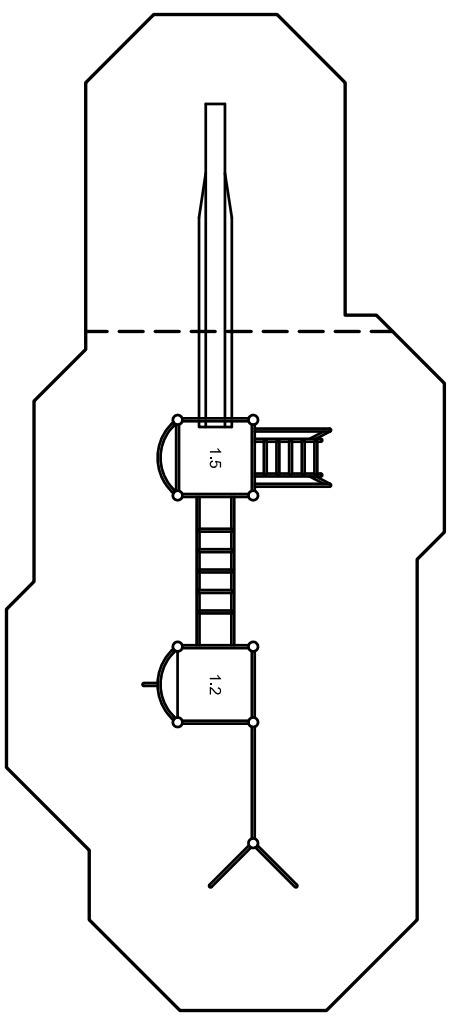
SAFETY SURFACING
 REQUIREMENTS TO EN 1176
 PERIMETER 35.5M
 HIC 1.5M - 19.0M²
 HIC 2.4M - 45.0M²



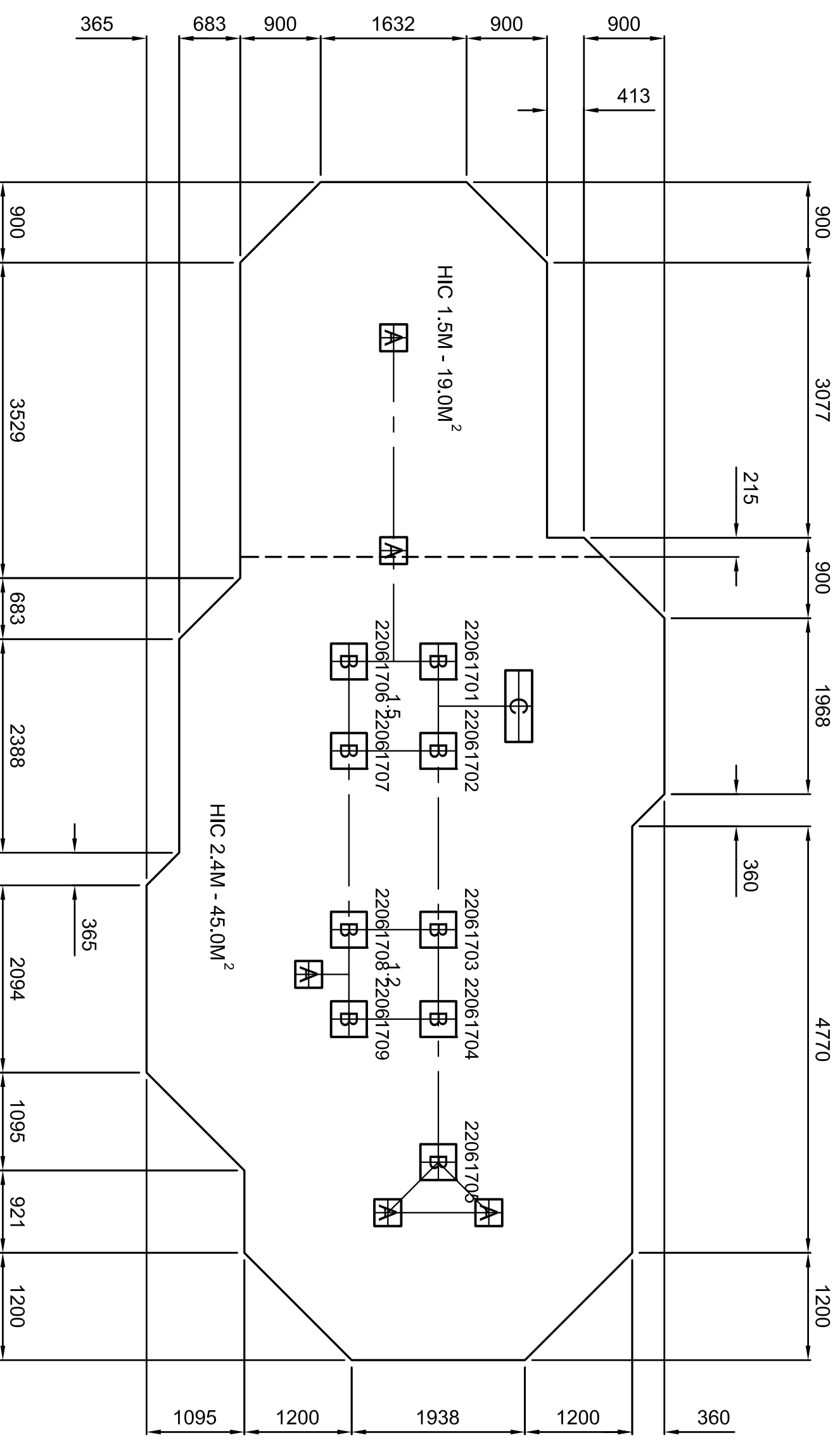
GROUND PLAN	PZW617(1)
REV	02
DRAWN	AM
SCALE	1:50 @ A3
DATE	07.03.06
SAFETY SURFACE AREA	
HOLE A	300x300x800 DEEP
HOLE B	400x400x500 DEEP
HOLE C	300x800x800 DEEP

DO NOT SCALE THIS DRAWING
 SCALE 1:50 WHEN PRINTED ON A3

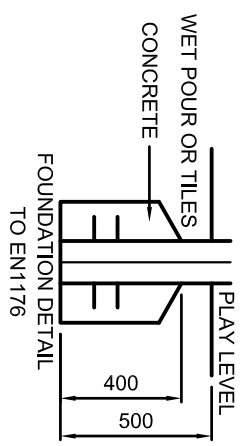




PLAN SCALE 1:100



SAFETY SURFACING REQUIREMENTS TO EN 1176
 PERIMETER 35.5M
 HIC 1.5M - 19.0M²
 HIC 2.4M - 45.0M²



GROUND PLAN	PZW617(2)
REV	02
DRAWN	AM
SCALE	1:50 @ A3
DATE	07.03.06
SAFETY SURFACE AREA	
HOLE A	300x300x800 DEEP
HOLE B	400x400x500 DEEP
HOLE C	300x800x800 DEEP

DO NOT SCALE THIS DRAWING
 SCALE 1:50 WHEN PRINTED ON A3