

**Good design
for children**

SutcliffePlay

**Waggon Lane
Upton Pontefract
West Yorkshire WF9 1JS**

**Telephone +44 (0)1977 653200
Facsimile +44 (0)1977 653222
info@ sutcliffeplay.co.uk
www. sutcliffeplay.co.uk**

Playzone
Installation Instructions
PZU778
Trim Trail

PZU778

Trim Trail Unit Installation Instructions

Good design
for children

SutcliffePlay

- 1 Check using the Parts List that none of the components are missing.
- 2 Plan the final position of the play equipment ensuring there is sufficient space.
- 3 Stainless steel slides should face north or be shaded to prevent over heating. Slide runouts should be inclined downwards by approximately 2 degrees for drainage purposes.
- 4 Excavate the foundation holes in accordance with the plan.
- 5 Sort and identify parts before assembly. Each leg is numbered to correspond with the foundation plan.
- 6 Position 2 off 300 long spragging irons into the holes provided in each post upright and stand in the foundation holes. Assemble the decks at the positions marked on the posts. Do not tighten the fixing bolts until all the activities have been assembled.
- 7 Assemble the activities onto the posts. Leave fixing bolts loose until all the activities have been assembled.
- 8 Fill the foundation holes to the required depth with concrete.
- 9 Do not allow the equipment to be used until the concrete has set (2 - 3 days) and the required safety surfacing has been installed.
- 10 Tighten all fixing bolts.
- 11 Follow the maintenance instructions supplied.

During installation care must be taken to prevent hazards to children.
Care should be taken if conditions are abnormal.

PZU778

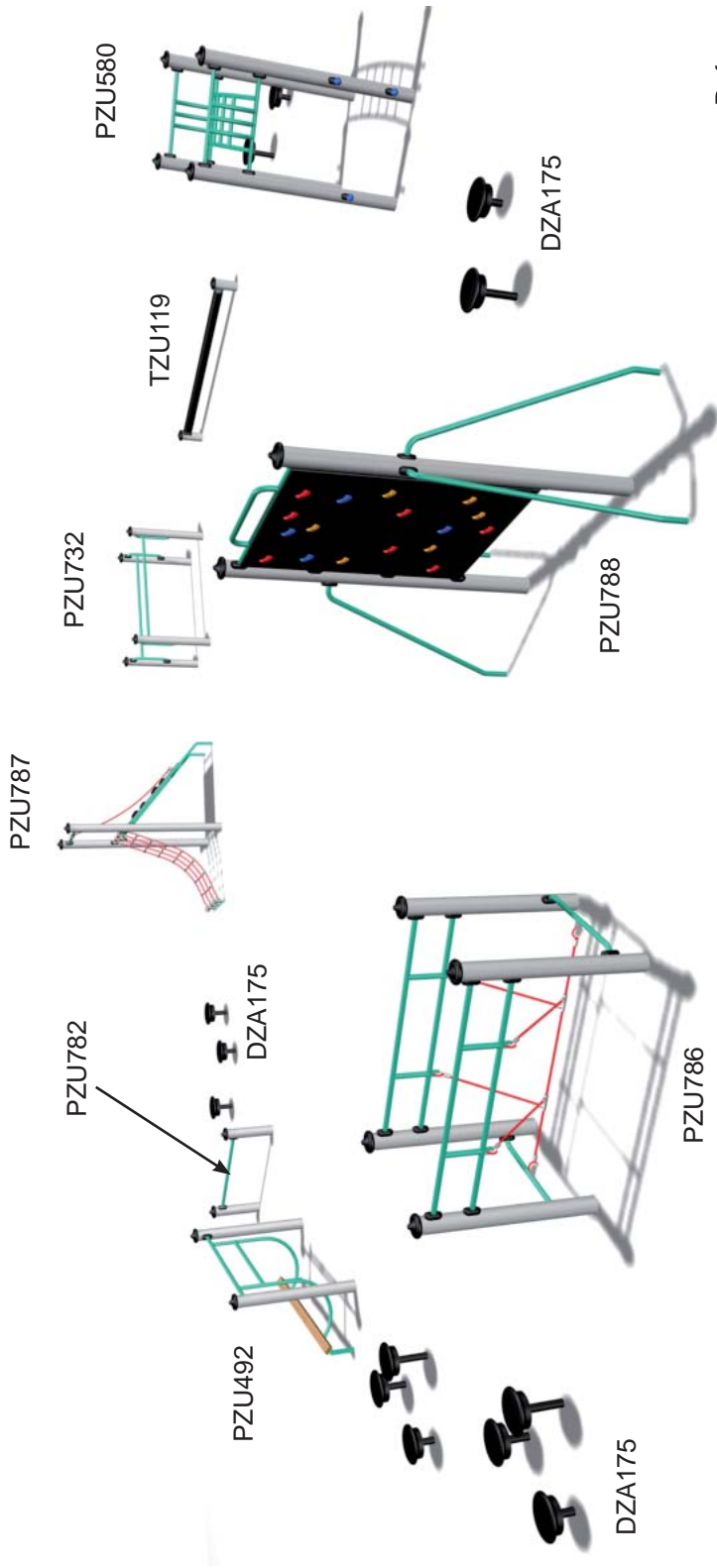
Trim Trail Unit

Parts List

Rev 00

Good design
for children

Sutcliffe Play

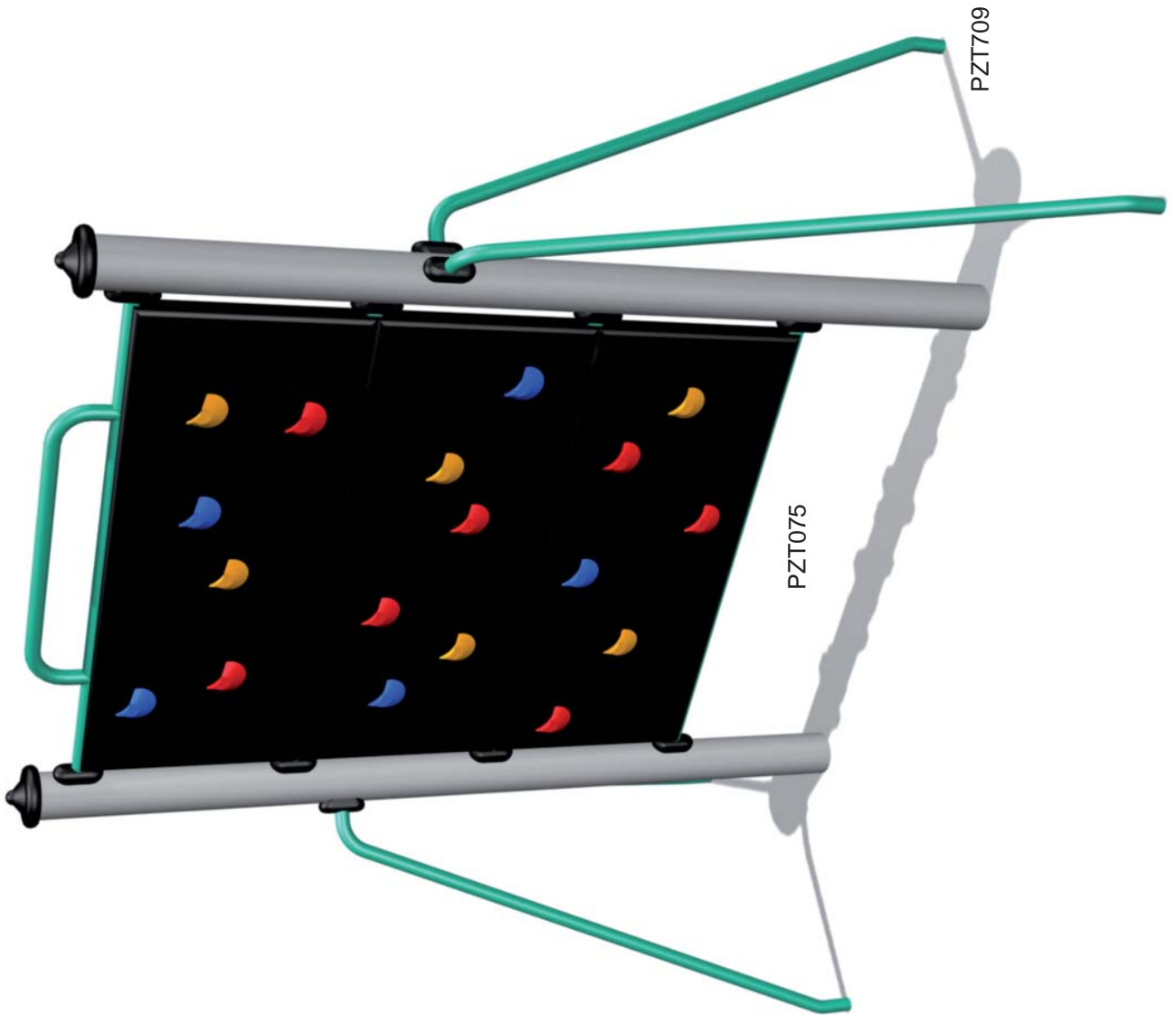


Ref	Description	Qty
DZA175	Stepping pods	13
PZU492	Edge Along Bridge	1
PZU788	1.6M Climbing Wall	1
PZU786	Rope Bridge	1
PZU782	Roll Over Bar	1
PZU787	A- Frame	1
PZU732	Parallel Bars	1
PZU580	Hand Over Hand	1
TZU119	Balance Beam	1

PZU788

Playzone Unit Parts List

Rev 00



SutcliffePlay
Good design
for children

Ref	Description	Qty
PZT075	1.6M Climbing wall	1
PZT709	1.6M High Bracing legs	4
PPU788	Posts (set of 2)	1 set
PZU788F	Fixing Kit	1 set

PZU786

Playzone Unit
Parts List

Good design
for children

Sutcliffe Play

PZA200



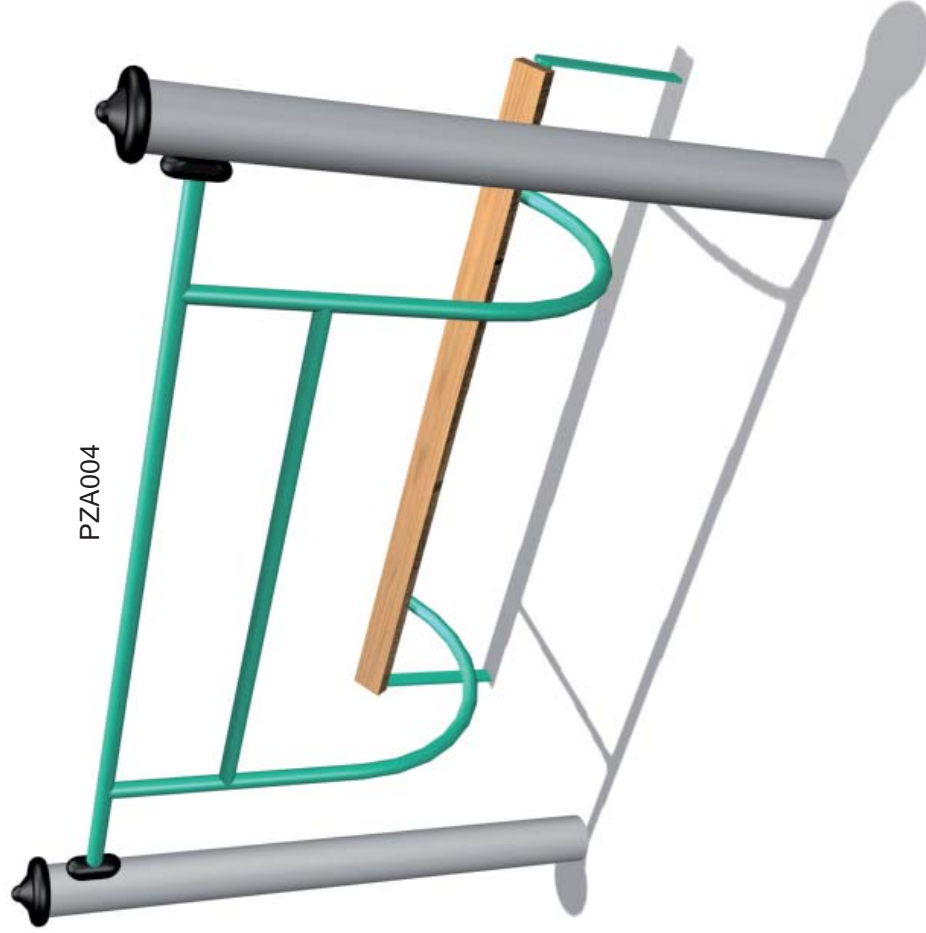
Ref	Description	Qty
PZA1200	Rope Bridge	1
PPU786	Posts (set of 4)	1 set
PZU786F	Fixing Kit	1 set

PZU492

Playzone Unit

Parts list

Sutcliffe Play
Good design
for children



PZA004

Ref	Description	Qty
PZA004	Edge along bridge	1
PPU492	Posts (set of 2)	1 set
PZU492F	Loose fixings	1 set

DZA175

Playzone Unit

Parts list

Good design
for children
SutcliffePlay



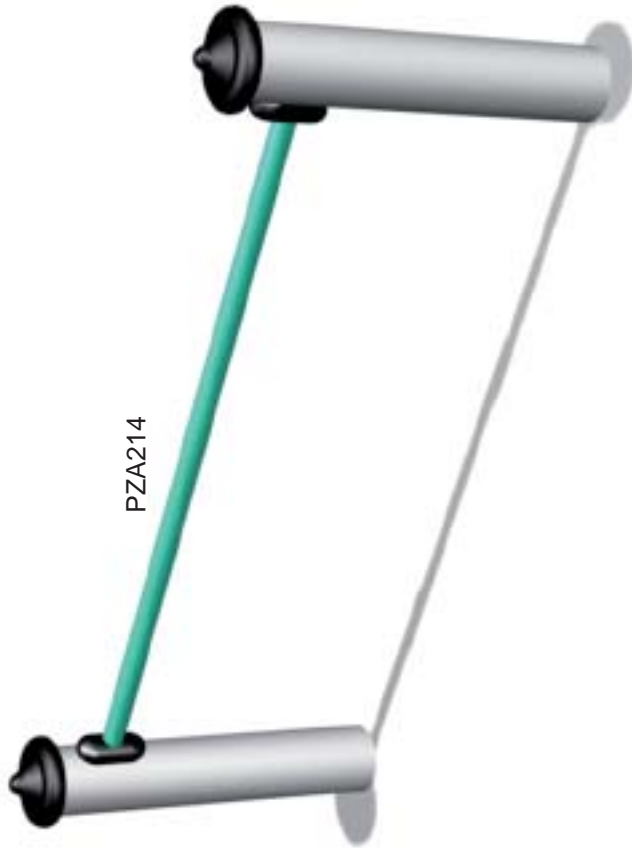
Ref	Description	Qty
DZA175	Stepping Pods	1 set

PZU782

Playzone Unit
Parts List

Good design
for children

Sutcliffe Play



Ref	Description	Qty
PZA214	1.5M Straight Rail	1
PPU782	Posts (set of 2)	1 set
PZU782F	Fixing Kit	1 set

PZU787

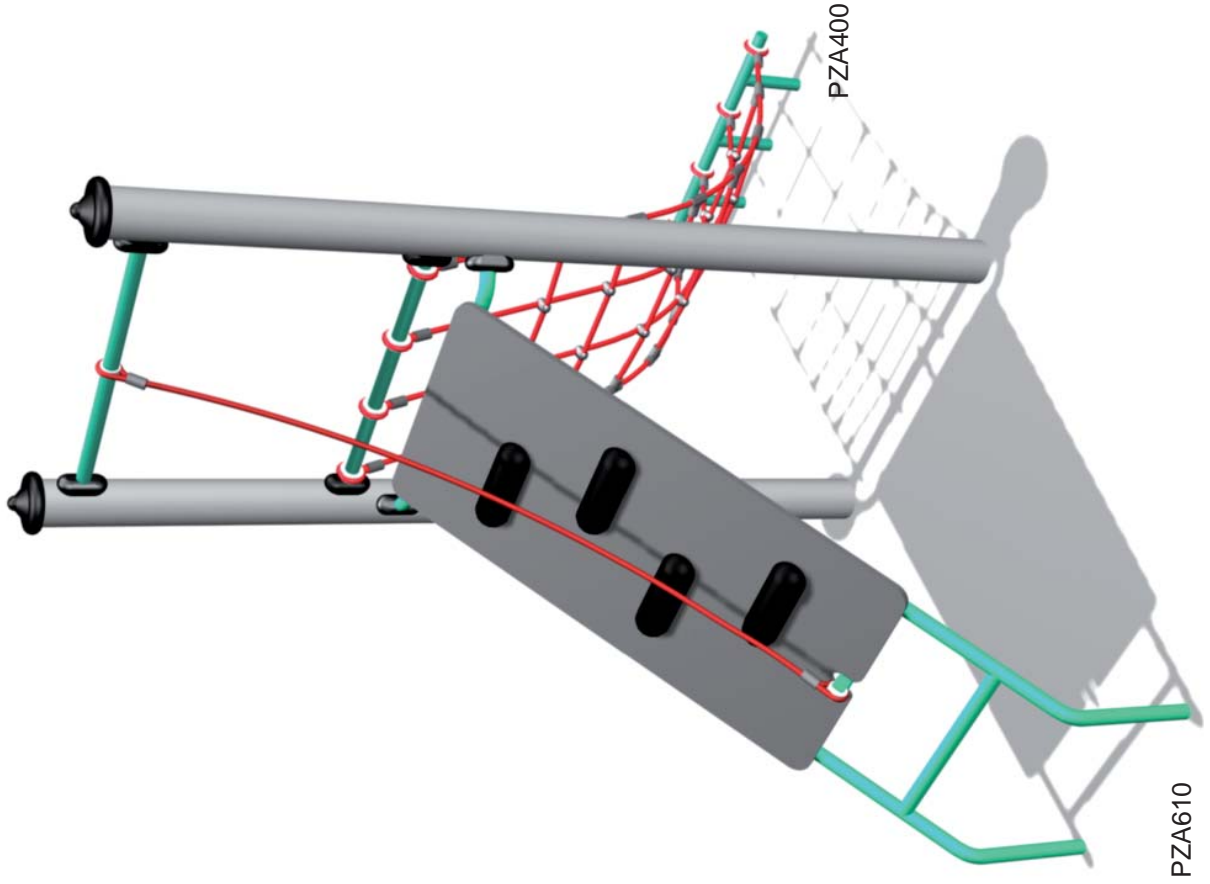
Playzone Unit

Parts List

Rev 00

Good design
for children

Sutcliffe Play



Ref	Description	Qty
PZA610	1.5M Pull up ramp	1
PZA400	1.5M Scramble net	1
PPU787	Posts (set of 2)	1 set
PZU787F	Fixing Kit	1 set

PZU732

Playzone Unit
Parts List

Rev 00

Good design
for children

Sutcliffe Play



Ref	Description	Qty
PZT710	Parallel Bars	1
PPU732	Posts (set of 4)	1 set
PZU732F	Fixing Kit	1 set

PZU580

Playzone Unit

Parts List

Rev 00

Good design
for children

Sutcliffe Play



Ref	Description	Qty
PZA232	2M Incl Hand Over Hand	1
PZA220	Hand/Foot Holds	5
PPU580	Posts (set of 4)	1 set
PZU580F	Fixing Kit	1 set

TZU119

Teenzone Unit

Parts list



Good design
for children

Sutcliffe Play

Ref	Description	Qty
TZA142	3m Beam assembly	1
TZP119	Posts (set of 2)	1
TZU119F	Fixing Kit	1

PZU778

Trim Trail Unit Maintenance Instructions

NOTE

The warranty is invalidated if these instructions are not followed.

All wood needs annual inspection and retreatment where required.

Recommended Regular Inspection and Maintenance

Check stability of structure, tighten connections if required.

Check all uprights at ground level for corrosion and/or rot. Replace any defective parts.

Check all painted elements for damage, rub down and repaint or replace as required.

Check chain/ropework assemblies for wear and damage, replace if required.

Check rotating and pivot points for wear and smooth running lubricate or replace if required.

Check rubber parts for wear and/or damage, replace if required.

Check tension cables, adjust if required.

Check wear of cables, replace if required.

Check slide chutes for smoothness and any foreign elements, remove any found.

Check rubber safety surfaces for damage and poor performance, repair or replace if required.

Check loose fill safety surfaces, remove any foreign elements, rake level and top up if required.

Disposal Instructions

All components should be broken down into categories of:-

- 1 **Mild Steel** - all Swing Frames, Playzone, Toddlerzone, Teenzone activities, Deck Frames and Springie Frames.
- 2 **Stainless Steel** - all Slides, Mirror Panels.
- 3 **Aluminium** - all Playzone and Toddlerzone Posts.
- 4 **Galvanised Steel** - all Chains and Teenzone Posts.
- 5 **Moulded Rubber Products without steel inserts** - all Toddlerzone Caps and edge details.
- 6 **Timber** - all natural timber, plywood, and MDF panels.

Wherever possible these materials should be taken to specialist recycling organisations and recycled.

In some cases where composite materials are used, then disposal at land fill sites is the only alternative such as:

- 7 **Moulded Rubber Products encasing steel inserts** - all Swing Seats, Deck Tops, Duo/Dizzy Disc Tops.
- 8 **High Pressure Laminate** - all Toddlerzone, Playzone and Teenzone Panels.
- 9 **Steel Core Polypropylene Rope** - all Scramble Nets, Space Nets, Playzone/Toddlerzone Ropes.

Good design
for children
SutcliffePlay

	Interval Days				
	7	14	28	56	365
Check stability of structure, tighten connections if required.	<input type="checkbox"/>	<input type="checkbox"/>	<input type="checkbox"/>	<input checked="" type="checkbox"/>	<input type="checkbox"/>
Check all uprights at ground level for corrosion and/or rot. Replace any defective parts.	<input type="checkbox"/>	<input type="checkbox"/>	<input type="checkbox"/>	<input type="checkbox"/>	<input checked="" type="checkbox"/>
Check all painted elements for damage, rub down and repaint or replace as required.	<input type="checkbox"/>	<input type="checkbox"/>	<input type="checkbox"/>	<input checked="" type="checkbox"/>	<input type="checkbox"/>
Check chain/ropework assemblies for wear and damage, replace if required.	<input type="checkbox"/>	<input checked="" type="checkbox"/>	<input type="checkbox"/>	<input type="checkbox"/>	<input type="checkbox"/>
Check rotating and pivot points for wear and smooth running lubricate or replace if required.	<input type="checkbox"/>	<input type="checkbox"/>	<input checked="" type="checkbox"/>	<input type="checkbox"/>	<input type="checkbox"/>
Check rubber parts for wear and/or damage, replace if required.	<input type="checkbox"/>	<input type="checkbox"/>	<input checked="" type="checkbox"/>	<input type="checkbox"/>	<input type="checkbox"/>
Check tension cables, adjust if required.	<input type="checkbox"/>	<input type="checkbox"/>	<input checked="" type="checkbox"/>	<input type="checkbox"/>	<input type="checkbox"/>
Check wear of cables, replace if required.	<input type="checkbox"/>	<input type="checkbox"/>	<input checked="" type="checkbox"/>	<input type="checkbox"/>	<input type="checkbox"/>
Check slide chutes for smoothness and any foreign elements, remove any found.	<input type="checkbox"/>	<input type="checkbox"/>	<input checked="" type="checkbox"/>	<input type="checkbox"/>	<input type="checkbox"/>
Check rubber safety surfaces for damage and poor performance, repair or replace if required.	<input type="checkbox"/>	<input type="checkbox"/>	<input type="checkbox"/>	<input checked="" type="checkbox"/>	<input type="checkbox"/>
Check loose fill safety surfaces, remove any foreign elements, rake level and top up if required.	<input type="checkbox"/>	<input type="checkbox"/>	<input checked="" type="checkbox"/>	<input type="checkbox"/>	<input type="checkbox"/>