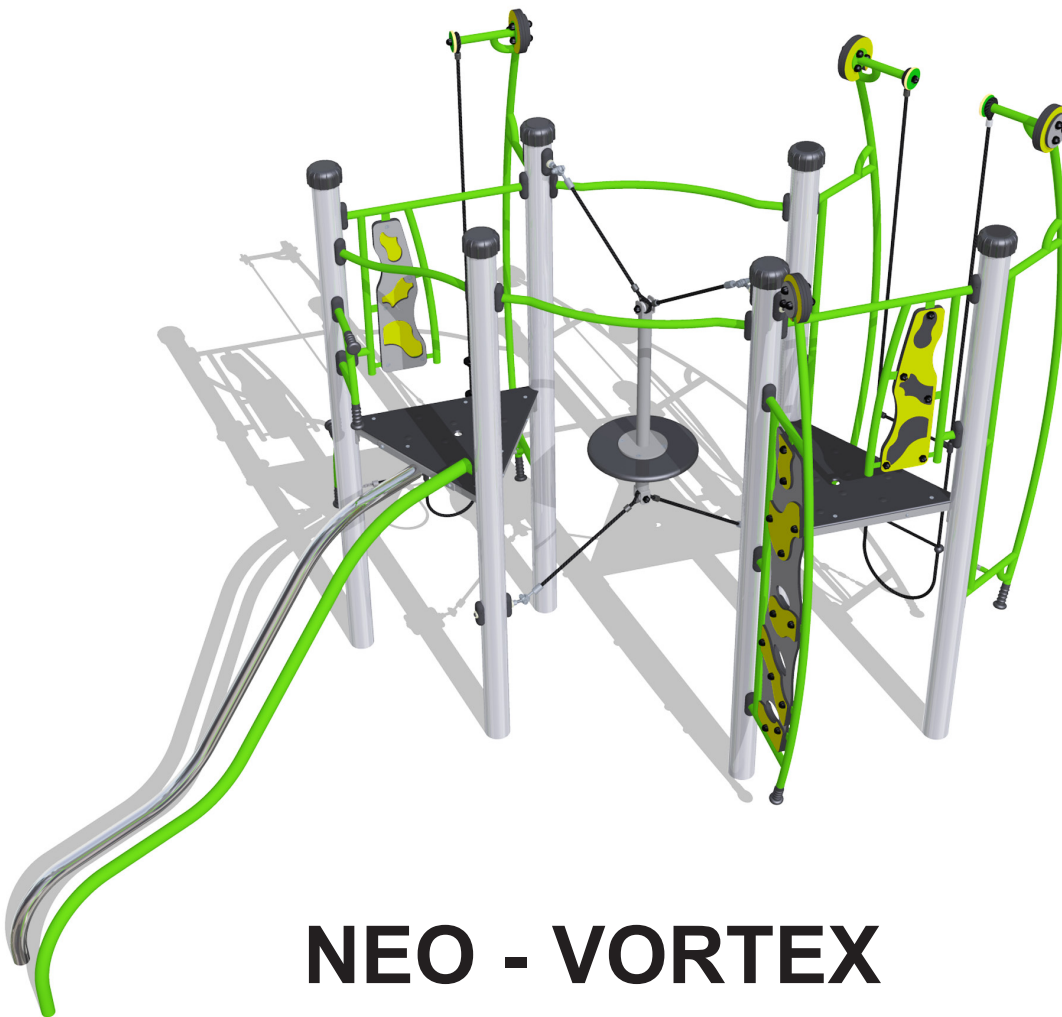


design
make
play

SutcliffePlay

Waggon Lane
Upton Pontefract
West Yorkshire WF9 1JS
Telephone +44 (0) 1977 653200
Facsimile +44 (0) 1977 653222
info@sutcliffeplay.co.uk
www.sutcliffeplay.co.uk



NEO - VORTEX PNW003

Installation Instructions

PNW003

Neo Unit Installation Instructions



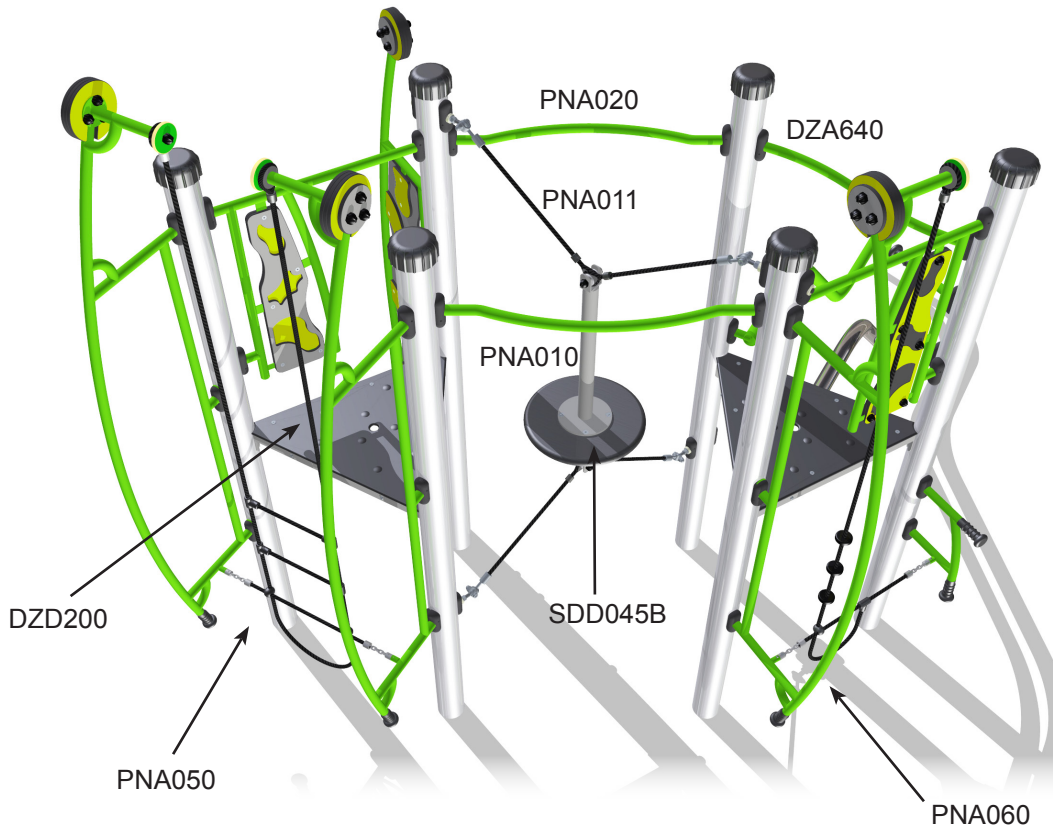
1. Check using the Parts List that none of the components are missing.
2. Plan the final position of the play equipment ensuring there is sufficient space.
3. Stainless steel slides should face north or be shaded to prevent over heating. Slide run-outs should be inclined downwards by approximately 2 degrees for drainage purposes.
4. Excavate the foundation holes in accordance with the plan.
5. Sort and identify parts before assembly. Each leg is numbered to correspond with the foundation plan.
6. Position 2 x 300 long spragging irons into the holes provided in each post upright and stand in the foundation holes.
7. Assemble the decks at the positions marked on the posts. Do not tighten the fixing until all the activities have been assembled.
8. Assemble the activities onto the posts. Do not tighten the fixings until all the activities have been assembled.
9. Tighten all fixings when the unit has been fully assembled, sat into the foundation holes (before concrete is poured) and the unit is completely level and in the correct position.
10. Ensure all exposed hex-head bolts are capped off using the stepped washers and nylon caps provided.
11. Check the unit will sit at the correct level, which is 800mm below play level in loose fill surfacing or 500mm below play level if wet-pour or grass mat surfacing.
12. Position the unit as per the elevations and plans provided, before now filling the foundation holes to the required depth with concrete. Float off upper surface to enable run-off away from frame posts.
13. The unit should be secured against use by any member of the public until the concrete is set and the appropriate depth and extent of surfacing has been installed (please refer to surfacing plan).
14. Follow the maintenance instructions supplied at the end of this document.

NB: During installation, care must be taken to prevent hazards to children. If you are at all unsure or have any questions, please contact the contracts department immediately for their assistance and advice. Extra care should be taken if conditions are abnormal.

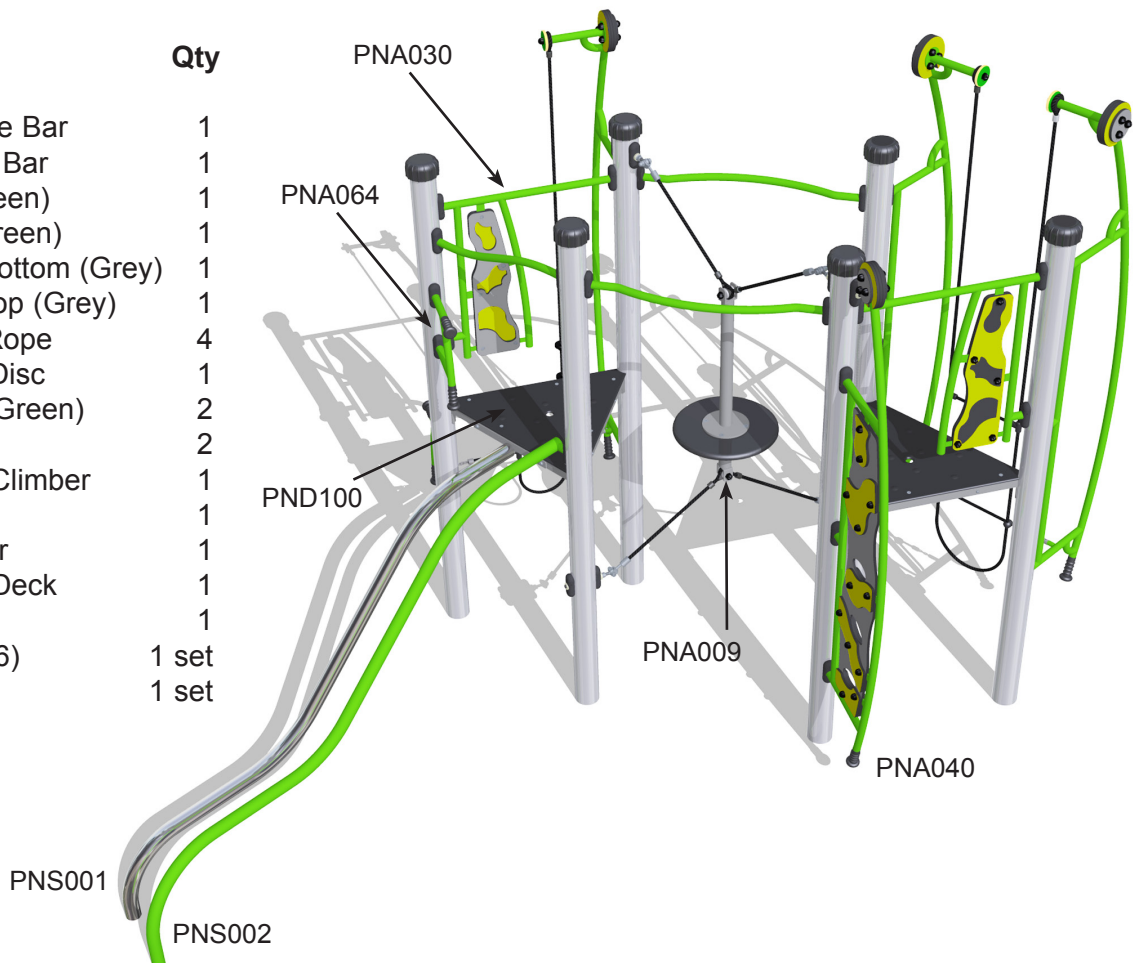
PNW003

Neo Unit Parts List

design
make
play
SutcliffePlay

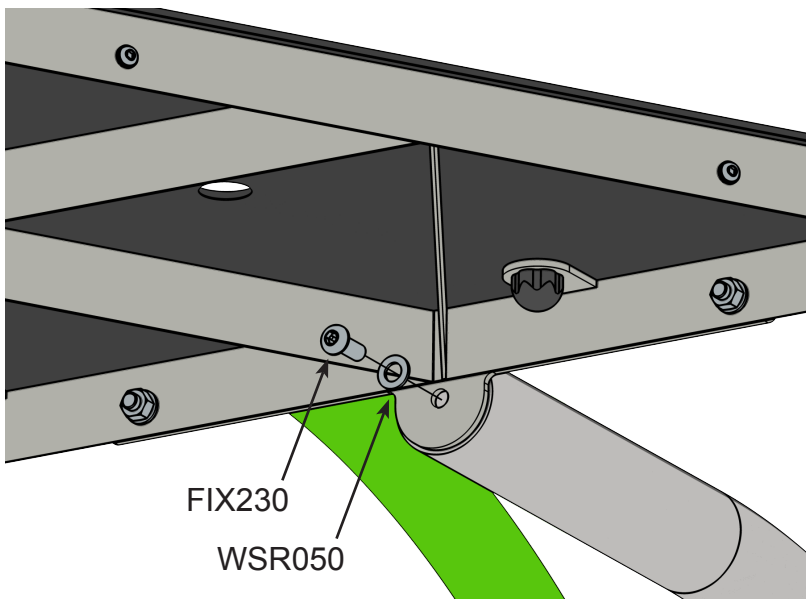
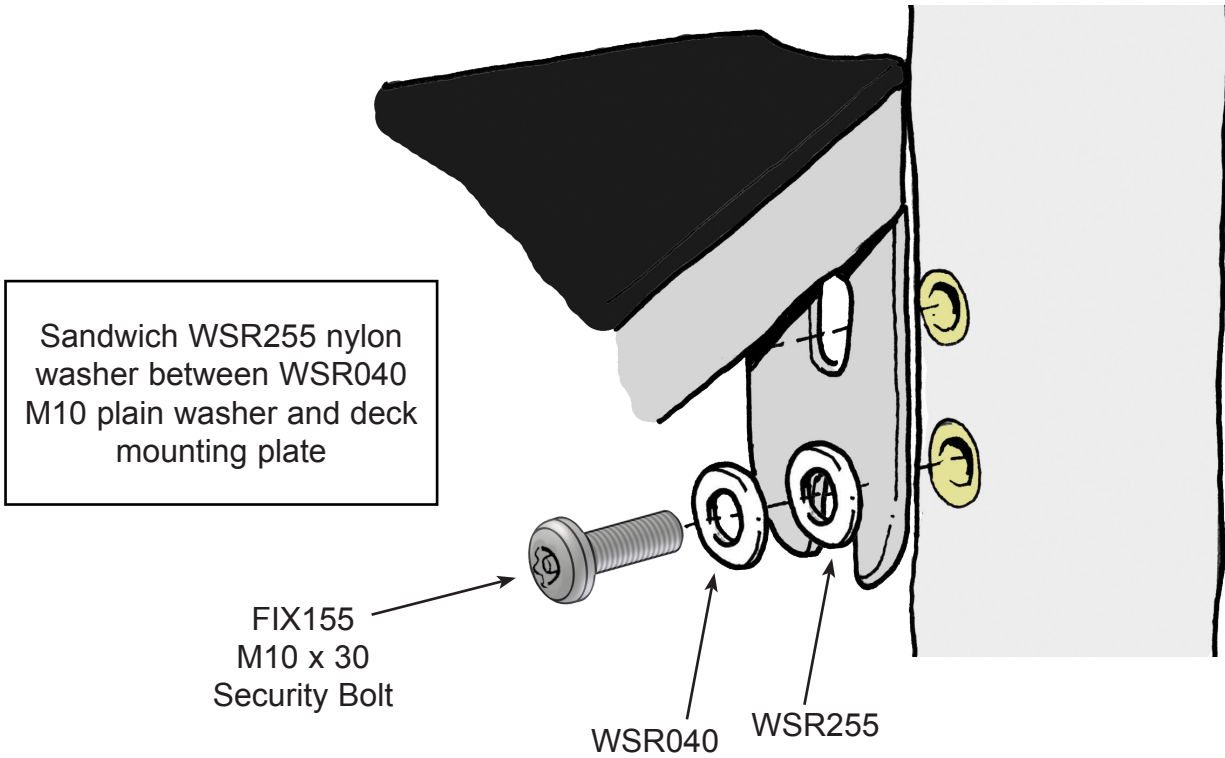


Ref	Description	Qty
PNS001	Stainless Slide Bar	1
PNS002	Painted Slide Bar	1
PNA064	Mini Bow (Green)	1
DZA640	Wavy Rail (Green)	1
PNA009	Suspended Bottom (Grey)	1
PNA010	Suspended Top (Grey)	1
PNA011	Suspension Rope	4
SSD045B	Rubber Duo Disc	1
PNA020	Bracing Bar (Green)	2
PNA030	Infill Barrier	2
PNA060	Single Rope Climber	1
PNA050	Rope Ladder	1
PNA040	Camo Climber	1
PND100	Slide Bar Tri Deck	1
DZD200	Tri Deck	1
NPW003	Posts (set of 6)	1 set
PNU003F	Fixing Kit	1 set



PNW003

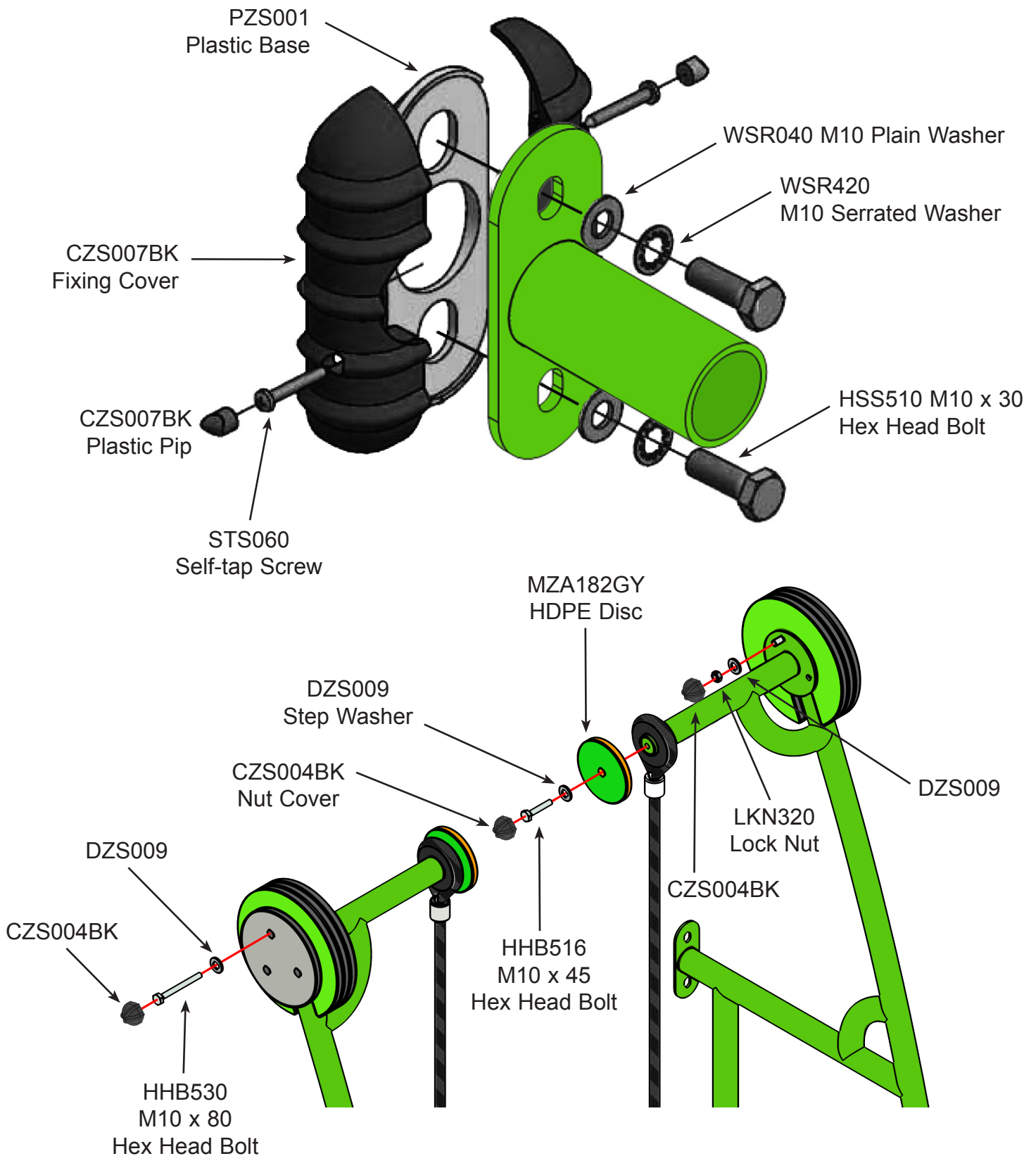
Neo Unit
Fixing Details - Decks and Slide Bar



The stainless steel slide bar is fixed to the deck bracket using an M12 x 30 security bolt and M12 plain washer

PNW003

Neo Unit Fixing Details - Activities

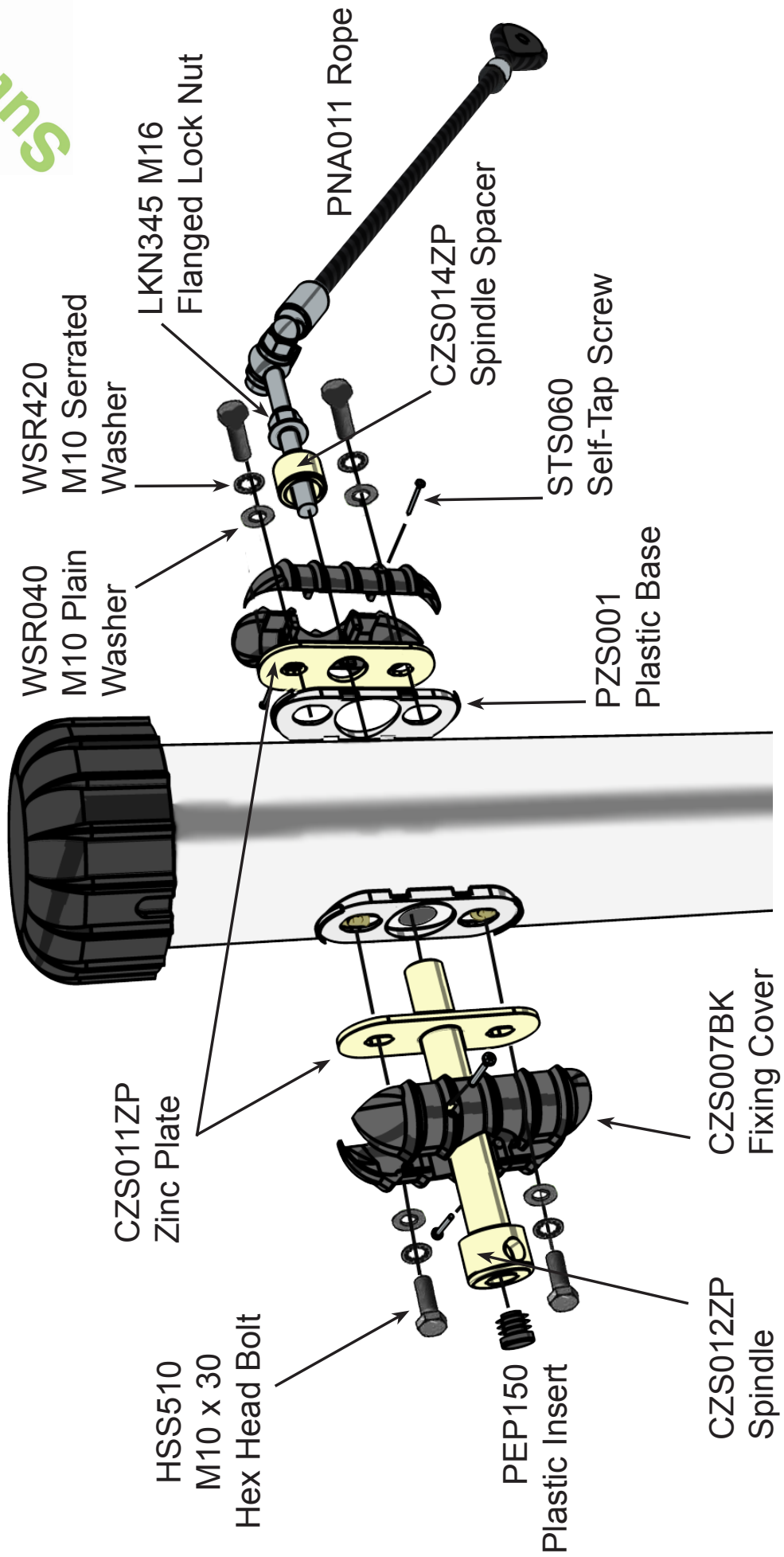


PNW003

Neo Unit

Fixing Details - Suspended Activity

design
make
play
cutliffplay



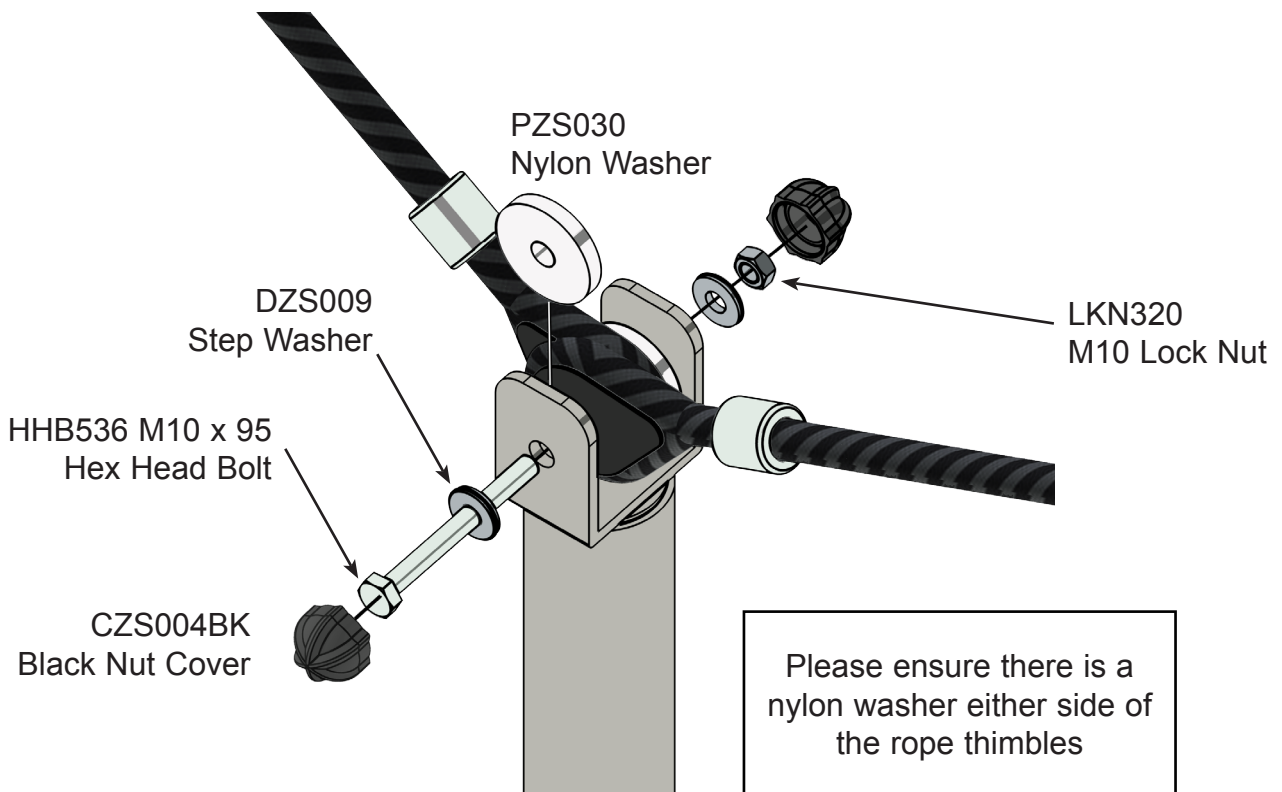
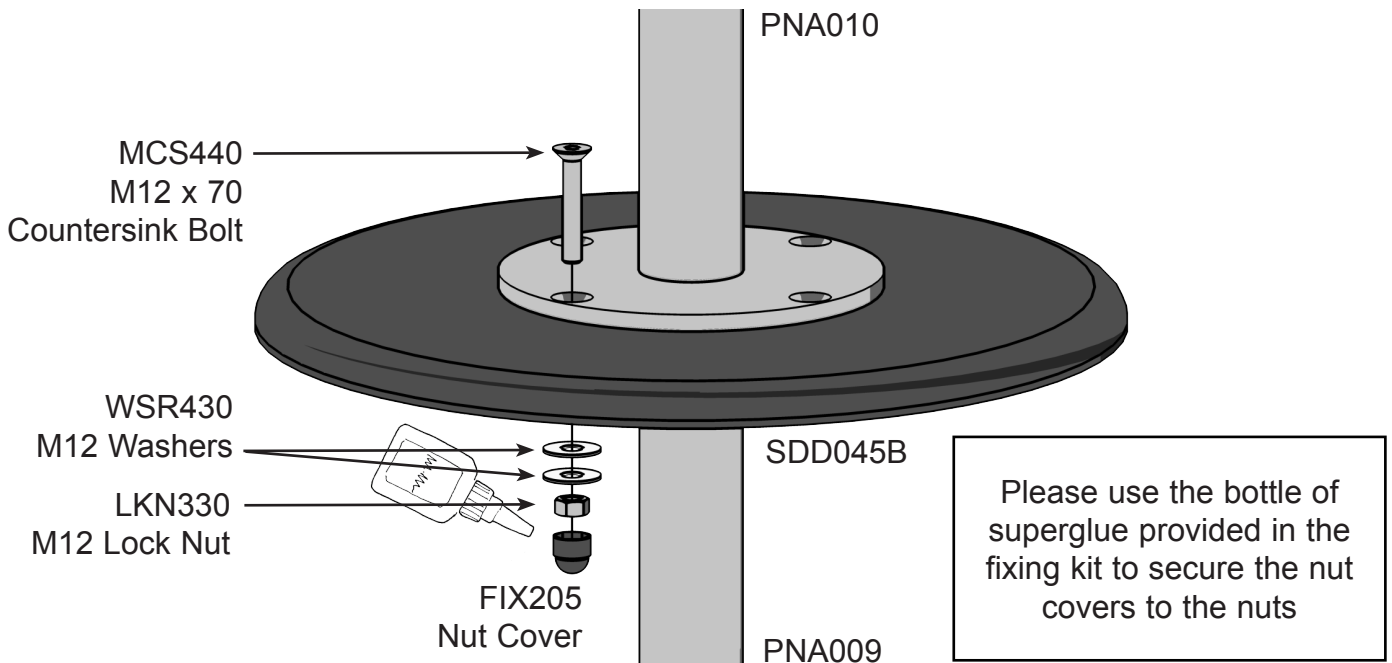
IMPORTANT
PLEASE ENSURE THAT THE EYE BOLT ON THE TOP ROPES ARE FULLY ENGAGED IN TO THE FEMALE THREAD SPINDLE

PNW003

Neo Unit

Fixing Details - Suspended Activity

design
make
play
SutcliffePlay



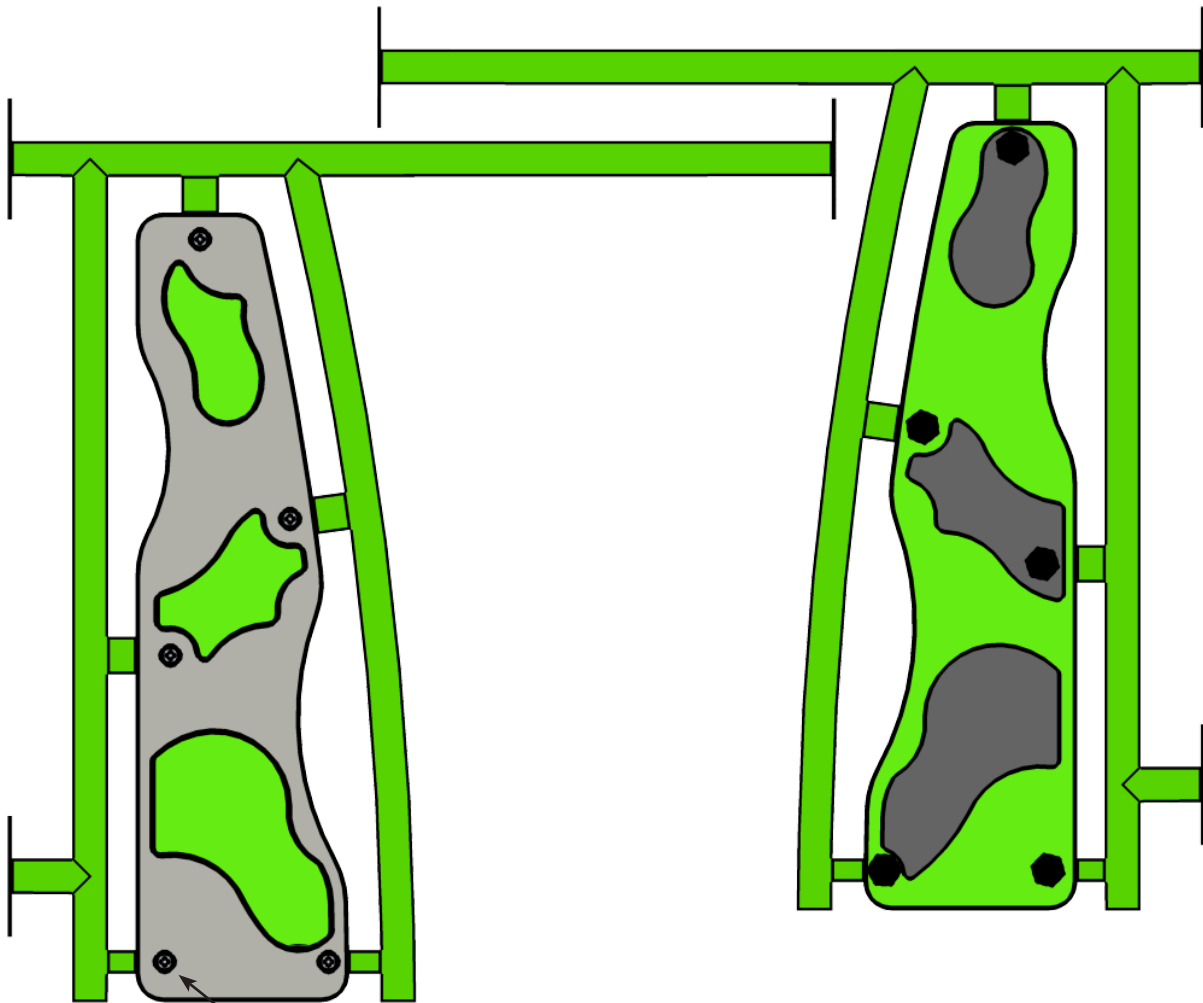
PNW003

Neo Unit

Fixing Details - PNA030 Infill Barrier

design
make
play

SutcliffePlay



PARTS LIST PER PNA030:

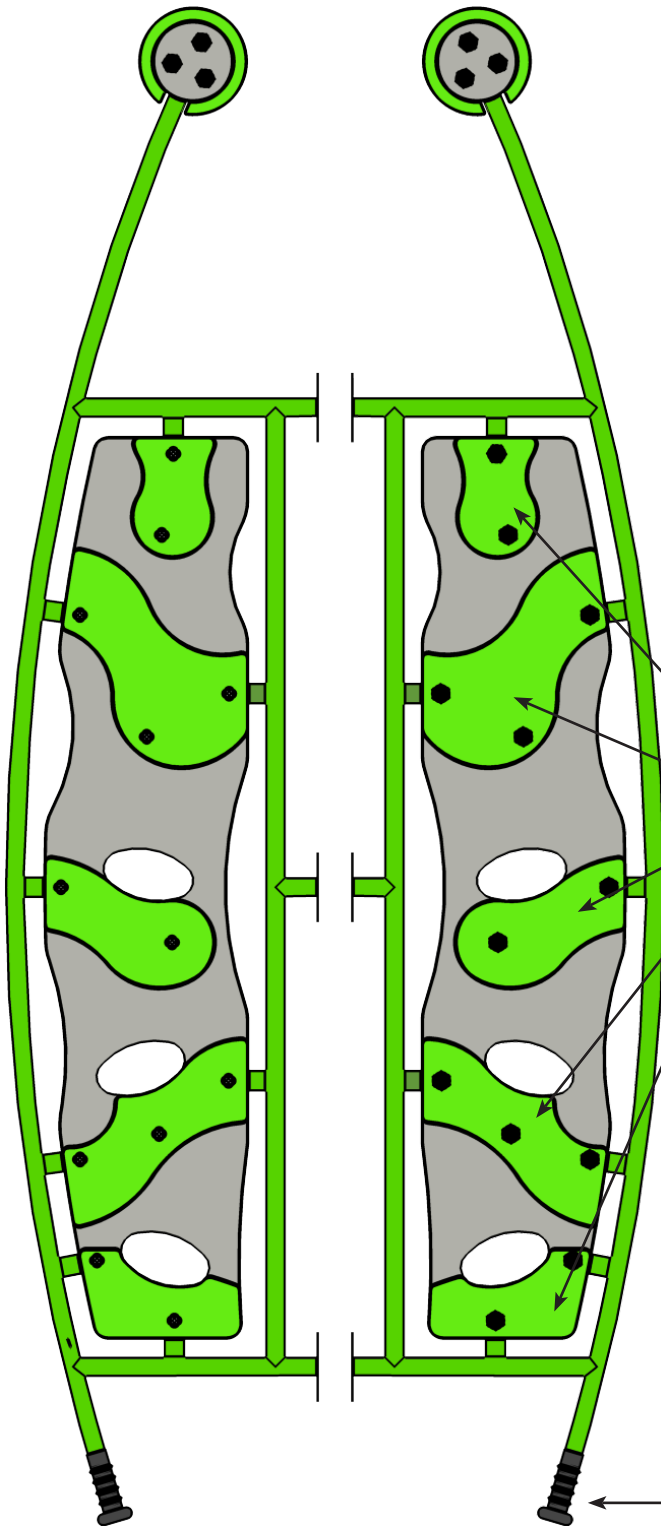
- 1 x PNA031 FRAME
- 1 x PNA032 GREEN PANEL
- 1 x PNA033 GREY PANEL
- 5 x MCS321 M10x35 CSK BOLT
- 5 x CZS004BK NUT COVER
- 5 x DZS009 STEP WASHER
- 5 x LKN320 NYLOC NUT

PNW003

Neo Unit

Fixing Details - PNA040 Climbing Wall

design
make
play
SutcliffePlay



PARTS LIST PER TOP:

- 3 x PNA048 GREEN DISC
- 2 x PNA049 GREY DISC
- 6 x CZS004BK NUT COVER
- 6 x DZS009 STEP WASHER
- 3 x LKN320 NYLOC NUT
- 3 x HHB534 M10x90 HEX BOLT

PARTS LIST PER WALL:

- 1 x PNA041 FRAME
- 1 x PNA042 GREY PANEL
- 2 x PNA043 GREEN PANEL 1
- 2 x PNA044 GREEN PANEL 2
- 2 x PNA045 GREEN PANEL 3
- 2 x PNA046 GREEN PANEL 4
- 2 x PNA047 GREEN PANEL 5
- 12 x CZS004BK NUT COVER
- 12 x DZS009 STEP WASHER
- 12 x MCS340 M10x55 CSK BOLT
- 12 x LKN320 NYLOC NUT

- 1 x CZS003 RUBBER GRIP

PNW003

Neo Unit Maintenance Instructions

NOTE

The warranty is invalidated if these instructions are not followed.
All wood needs annual inspection and retreatment where required.



Recommended Regular Inspection and Maintenance

	Interval Days				
	7	14	28	56	365
Check stability of structure, tighten connections if required.	<input type="checkbox"/>	<input type="checkbox"/>	<input type="checkbox"/>	<input checked="" type="checkbox"/>	<input type="checkbox"/>
Check all uprights at ground level for corrosion and/or rot. Replace any defective parts.	<input type="checkbox"/>	<input type="checkbox"/>	<input type="checkbox"/>	<input type="checkbox"/>	<input checked="" type="checkbox"/>
Check all painted elements for damage, rub down and repaint or replace as required.	<input type="checkbox"/>	<input type="checkbox"/>	<input type="checkbox"/>	<input checked="" type="checkbox"/>	<input type="checkbox"/>
Check chain/ropework assemblies for wear and damage, replace if required.	<input type="checkbox"/>	<input checked="" type="checkbox"/>	<input type="checkbox"/>	<input type="checkbox"/>	<input type="checkbox"/>
Check rotating and pivot points for wear and smooth running lubricate or replace if required.	<input type="checkbox"/>	<input type="checkbox"/>	<input checked="" type="checkbox"/>	<input type="checkbox"/>	<input type="checkbox"/>
Check rubber parts for wear and/or damage, replace if required.	<input type="checkbox"/>	<input type="checkbox"/>	<input checked="" type="checkbox"/>	<input type="checkbox"/>	<input type="checkbox"/>
Check tension cables, adjust if required.	<input type="checkbox"/>	<input type="checkbox"/>	<input checked="" type="checkbox"/>	<input type="checkbox"/>	<input type="checkbox"/>
Check wear of cables, replace if required.	<input type="checkbox"/>	<input type="checkbox"/>	<input checked="" type="checkbox"/>	<input type="checkbox"/>	<input type="checkbox"/>
Check slide chutes for smoothness and any foreign elements, remove any found.	<input type="checkbox"/>	<input type="checkbox"/>	<input checked="" type="checkbox"/>	<input type="checkbox"/>	<input type="checkbox"/>
Check rubber safety surfaces for damage and poor performance, repair or replace if required.	<input type="checkbox"/>	<input type="checkbox"/>	<input type="checkbox"/>	<input checked="" type="checkbox"/>	<input type="checkbox"/>
Check loose fill safety surfaces, remove any foreign elements, rake level and top up if required.	<input type="checkbox"/>	<input type="checkbox"/>	<input checked="" type="checkbox"/>	<input type="checkbox"/>	<input type="checkbox"/>

Disposal Instructions

All components should be broken down into categories of:

- 1 **Mild steel** - swing frames, powder coated activities, deck frames and Themed/springie frames.
- 2 **Stainless steel** - all slides, slide bars and mirror panels.
- 3 **Aluminium** - all Playzone, Toddlerzone and Neo posts.
- 4 **Galvanised steel** - swing frames, chains and Teenzone posts.
- 5 **Moulded rubber products without steel inserts** - all Toddlerzone caps, rubber nest seat and edge details.
- 6 **Timber** - all natural timber, Orchard posts and plywood.

Wherever possible these materials should be taken to specialist recycling organisations and recycled.

In some cases where composite materials are used, then disposal at land fill sites is the only alternative such as:

- 7 **Moulded rubber products with steel inserts** - all swing seats, deck tops, duo/dizzy discs tops, post caps.
- 8 **High Pressure Laminate** - Toddlerzone/Playzone/Teenzone/Themed/Minizone/Mini Town/Springie/Neo panels.
- 9 **Steel Core Polypropylene Rope** - all scramble nets, space nets, unit activity ropes and nets.